

Service Manual

First Aid

Notebook Computer

Model No. **CF-31UFLAXxM**

TOUGHBOOK

This is the Service Manual for
the following areas.
M ...for U.S.A. and Canada

⚠ WARNING

This service information is designed for experienced repair technicians only and is not designed for use by the general public. It does not contain warnings or cautions to advise non-technical individuals of potential dangers in attempting to service a product. Products powered by electricity should be serviced or repaired only by experienced professional technicians. Any attempt to service or repair the product or products dealt with in this service information by anyone else could result in serious injury or death.

Panasonic®

© Panasonic Corporation 2012.
Unauthorized copying and distribution is a violation of law.

WARNING

For U.K.

This apparatus must be earthed for your safety.

To ensure safe operation the three-pin plug must be inserted only into a standard three-pin power point which is effectively earthed through the normal household wiring.

Extension cords used with the equipment must be three-core and be correctly wired to provide connection to earth. Wrongly wired extension cords are a major cause of fatalities.

The fact that the equipment operates satisfactorily does not imply that the power point is earthed and that the installation is completely safe.

For your safety, if you have any doubt about the effective earthing of the power point, consult a qualified electrician.

FOR YOUR SAFETY PLEASE READ THE FOLLOWING TEXT CAREFULLY

This appliance is supplied with a moulded three pin mains plug for your safety and convenience.

A 3 amp fuse is fitted in this plug.

Should the fuse need to be replaced please ensure that the replacement fuse has a rating of 3 amps and that it is approved by ASTA or BSI to BS 1362.

Check for the ASTA mark  or the BSI mark  on the body of the fuse.

If the plug contains a removable fuse cover you must ensure that it is refitted when the fuse is replaced.

If you lose the fuse cover the plug must not be used until a replacement cover is obtained.

A replacement fuse cover can be purchased from your local Panasonic Dealer.

IF THE FITTED MOULDED PLUG IS UNSUITABLE FOR THE SOCKET OUTLET IN YOUR HOME THEN THE FUSE SHOULD BE REMOVED AND THE PLUG CUT OFF AND DISPOSED OF SAFELY.

THERE IS A DANGER OF SEVERE ELECTRICAL SHOCK IF THE CUT OFF PLUG IS INSERTED INTO ANY 13 AMP SOCKET.

If a new plug is to be fitted please observe the wiring code as shown below.

If in any doubt please consult a qualified electrician.


Warning: THIS APPLIANCE MUST BE EARTHED.

Important

The wires in this mains lead are coloured in accordance with the following code:

Green-and-yellow:	Earth
Blue:	Neutral
Brown:	Live

As the colours of the wires in the mains lead of this apparatus may not correspond with the coloured markings identifying the terminals in your plug, proceed as follows:

The wire which is coloured GREEN-and-YELLOW must be connected to the terminal in the plug which is marked by the letter E or by the safety earth symbol  coloured GREEN or GREEN-and-YELLOW.

The wire which is coloured Blue must be connected to the terminal which is marked with the letter N or coloured BLACK.

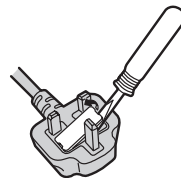
The wire which is coloured Brown must be connected to the terminal which is marked with the letter L or coloured RED.

The mains plug on this equipment must be used to disconnect the mains power.

Please ensure that a socket outlet is available near the equipment and shall be easily accessible.

How to replace the fuse

Open the fuse compartment with a screwdriver and replace the fuse.



Warnings

- This equipment is not designed for connection to an IT power system.
(An IT system is a system having no direct connections between live parts and Earth; the exposed-conductive-parts of the electrical installation are earthed.
An IT system is not permitted where the computer is directly connected to public supply systems in the U.K.)
- Disconnect the mains plug from the supply socket when the computer is not in use.

This equipment is produced to BS800/1983.

LASER SAFETY INFORMATION

Class 1 LASER Product

PRODUCT COMPLIES WITH DHHD RULES 21 CFR CHAPTER 1, SUBCHAPTER J.
130KS

This equipment is classified as a class 1 level LASER product and there is no hazardous LASER radiation.

Caution

- (1) Use of controls or adjustments or performance of procedures other than those specified herein may result in hazardous exposure.
- (2) The drive is designed to be incorporated into computer-based system or unit which has an enclosing cover. It should never be used as a stand alone drive.

Danger

The serviceman should not remove the cover of drive unit and should not serve, because the drive unit is a non-serviceable part.

- Unplug the AC power cord to the equipment before opening the cover of the drive.
- When the power switch is on, do not place your eyes close to the front panel cover to look into the interior of the unit.

LASER Specification

Class 1 Level LASER Product

Wave Length: DVD: 656 – 665 nm, CD: 777 – 790nm

SAFETY PRECAUTIONS

1. Before servicing, unplug the power cord to prevent an electric shock.
2. When replacing parts, use only manufacture's recommended components for safety.
3. Check the condition of the power cord. Replace if wear or damage is evident.
4. After servicing, be sure to restore the lead dress, insulation barriers, insulation papers, shields, etc.

Important Safety Instructions

When using your telephone equipment, basic safety precautions should always be followed to reduce the risk of fire, electric shock and injury to persons, including the following:

1. Do not use this product near water, for example, near a bath tub, wash bowl, kitchen sink or laundry tub, in a wet basement or near a swimming pool.
2. Avoid using a telephone (other than a cordless type) during an electrical storm. There may be a remote risk of electric shock from lightning.
3. Do not use the telephone to report a gas leak in the vicinity of the leak.
4. Use only the power cord and batteries indicated in this manual. Do not dispose of batteries in a fire. They may explode. Check with local codes for possible special disposal instructions.

SAVE THESE INSTRUCTIONS

LITHIUM BATTERY

This computer contains a lithium battery to enable the date, time, and other data to be stored. The battery should only be exchanged by authorized service personel.

Warning! A risk of explosion from incorrect installation or misapplication may possibly occur.

LITHIUM BATTERY ⚠

• CAUTION

Danger of explosion if battery is incorrectly replaced.
Replace only with the same or equivalent type recommended by the manufacturer.
Discard used batteries according to the manufacturer's instructions.

LITHIUMBATTERIES ⚠

Vorsicht!

Explosionsgefahr bei unsachgemäßem Austausch der Batterie. Ersatz nur durch denselben oder einen vom Hersteller empfohlenen ähnlichen Typ. Entsorgung gebrauchter Batterien nach Angaben des Herstellers.

PILE AU LITHIUM ⚠

ATTENTION: IL Y A DANGER D'EXPLOSION S' IL Y A REMPLACEMENT INCORRECT DE LA BATTERIE. REMPLACER UNIQUEMENT AVEC UNE BATTERIE DU MÊME TYPE OU D'UN TYPE RECOMMANDÉ PAR LE CONSTRUCTEUR. METTRE AU RÉBUT LES BATTERIES USAGÉES CONFORMÉMENT AUX INSTRUCTIONS DU FABRICANT.

Precautions (Battery Pack)

Do Not Use With Any Other Product

The battery pack is rechargeable and was intended for the specified product. If it is used with a product other than the one for which it was designed, electrolyte leakage, generation of heat, ignition or rupture may result.

Do Not Charge the Battery Using Methods Other Than Those Specified

If the battery is not charged using one of the specified methods, electrolyte leakage, generation of heat, ignition or rupture may result.

Do Not Throw the Battery Pack Into a Fire or Expose It to Excessive Heat

Generation of heat, ignition or rupture may result.

Avoid Extreme Heat (Near the Fire, In Direct Sunlight, for Example)

Electrolyte leakage, generation of heat, ignition or rupture may result.

Do Not Insert Sharp Objects Into the Battery Pack, Expose It to Bumps or Shocks, Disassemble, or Modify It

Electrolyte leakage, generation of heat, ignition or rupture may result.

- ☐ If this product is subjected to a strong impact, stop using it immediately.

Do Not Short the Positive (+) and Negative (-) Contacts

Generation of heat, ignition or rupture may result.

- ☐ Do not place the battery pack together with articles such as necklaces or hairpins when carrying or storing.

Do Not Use This Product with a Battery Pack Other Than the One Specified

Use only the specified battery pack (CF-VZSU46AU) with your product. Use of battery packs other than those manufactured and supplied by Panasonic may present a safety hazard (generation of heat, ignition or rupture).

When the battery pack has become degraded, replace it with a new one

Continued use of a damaged battery pack may result in heat generation, ignition or battery rupture.

- Do not touch the terminals on the battery pack. The battery pack may no longer function properly if the contacts are dirty or damaged.
- Do not expose the battery pack to water, or allow it to become wet.
- If the battery pack will not be used for a long period of time (a month or more), charge or discharge (use) the battery pack until the remaining battery level becomes 30% to 40% and store it in a cool, dry place.
- This computer prevents overcharging of the battery by recharging only when the remaining power is less than approx. 95% of capacity.
- The battery pack is not charged when the computer is first purchased.
Be sure to charge it before using it for the first time.
When the AC adaptor is connected to the computer, charging begins automatically.
- Should the battery leak and the fluid get into your eyes, do not rub your eyes. Immediately flush your eyes with clear water and see a doctor for medical treatment as soon as possible.

CAUTION:



Risk of Explosion if Battery is replaced by an Incorrect Type. Dispose of Used Batteries According to the Instructions.

ATTENTION:

Il y a risque d'explosion si la batterie est remplacée par une batterie de type incorrect.

Mettre au rebut les batteries usagées conformément aux instructions.

NOTE

- The battery pack may become warm during recharging or normal use. This is completely normal.
- Recharging will not commence if internal temperature of the battery pack is outside of the allowable temperature range (0 °C to 50 °C {32 °F to 122 °F}).
(☞  *Reference Manual* "Battery Power") Once the allowable range requirement is satisfied, charging begins automatically. Note that the recharging time varies based on the usage conditions. (Recharging takes longer than usual when the temperature is 10 °C {50 °F} or below.)
- If the temperature is low, the operating time is shortened. Only use the computer within the allowable temperature range.
- This computer has a high temperature mode function that prevents the degradation of the battery in high temperature environments. (☞  *Reference Manual* "Battery Power") A level corresponding to a 100% charge for high temperature mode is approximately equivalent to an 80% charge level for normal temperature mode.
- The battery pack is a consumable item. If the amount of time the computer can be run by using a particular battery pack becomes dramatically shorter and repeated recharging does not restore its performance, the battery pack should be replaced with a new one.
- When transporting a spare battery inside a package, briefcase, etc., it is recommended that it be placed in a plastic bag so that its contacts are protected.
- Always power off the computer when it is not in use. Leaving the computer on when the AC adaptor is not connected will exhaust the remaining battery capacity.



A lithium ion battery that is recyclable powers the product you have purchased. Please call 1-800-8-BATTERY for information on how to recycle this battery.

L'appareil que vous vous êtes procuré est alimenté par une batterie au lithium-ion. Pour des renseignements sur le recyclage de la batterie, veuillez composer le 1-800-8-BATTERY.

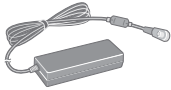
Precautions (AC Adaptor)

*FOR USE WITH MODEL NO. **CF-AA5713A***

*POUR UTILISER AVEC MODÈLE **CF-AA5713A***

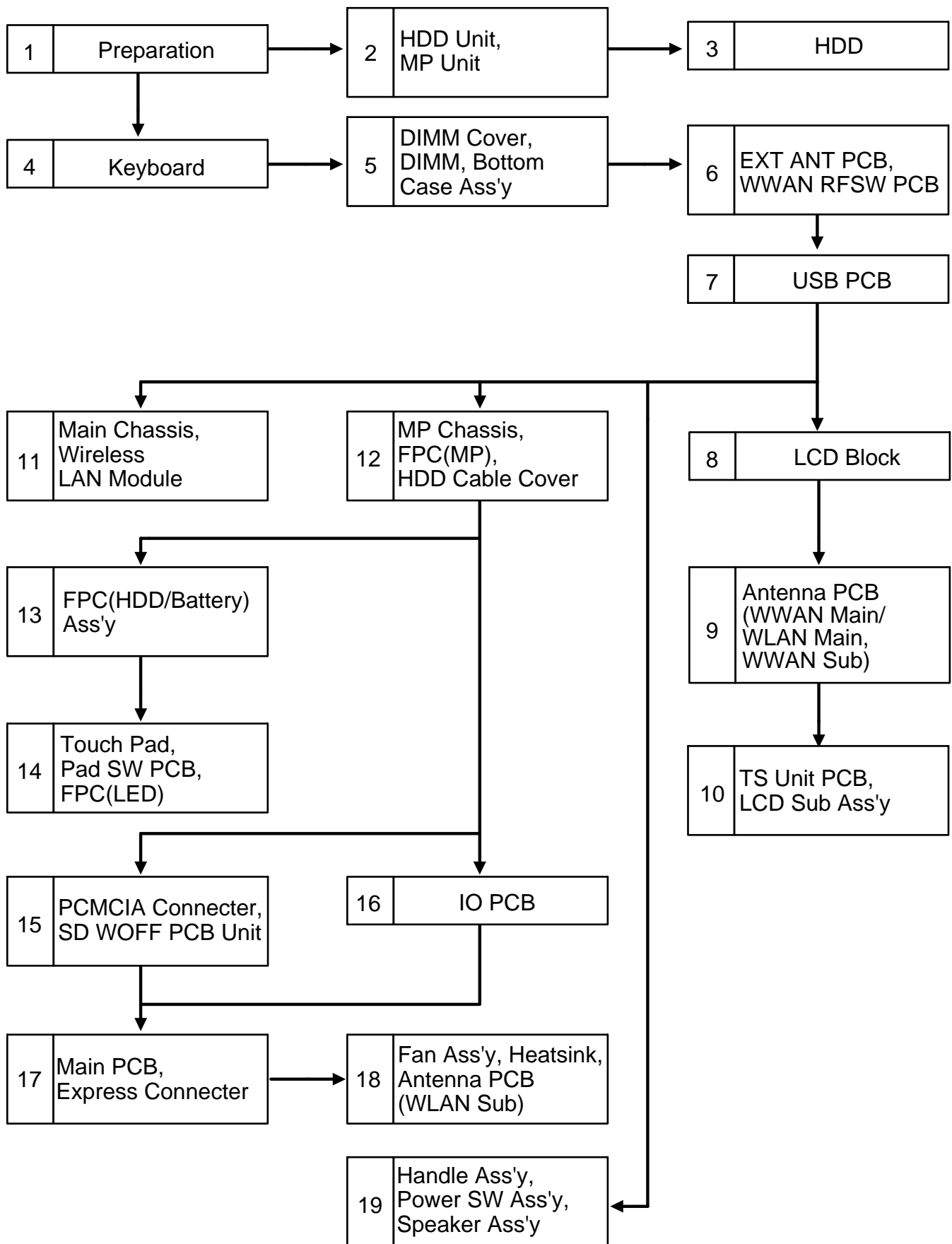
Use Only the Specified AC Adaptor With This Product

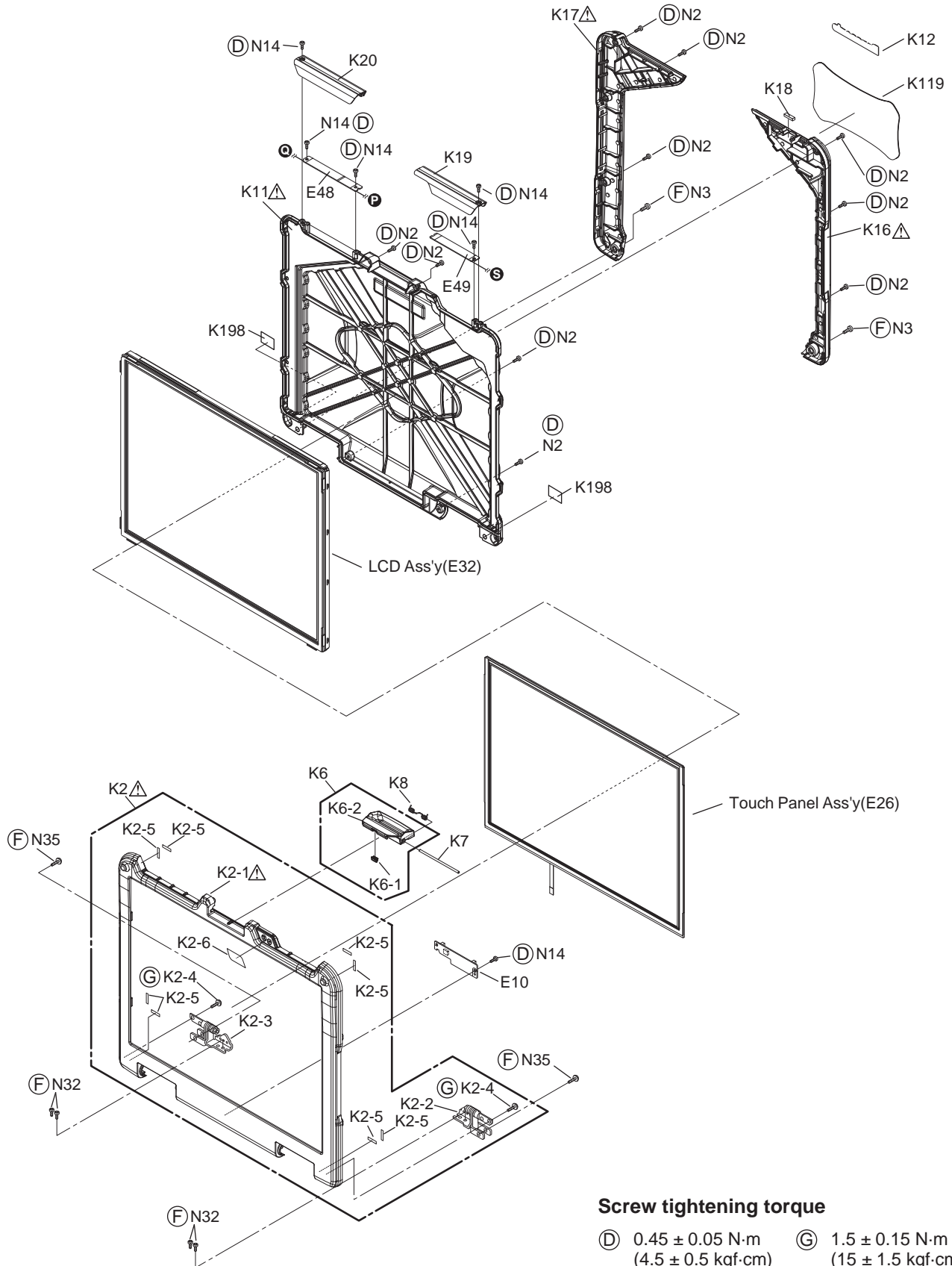
Using an AC adaptor other than the one supplied (attached to your product or supplied by Panasonic) may result in a fire.



Model No: CF-AA5713A

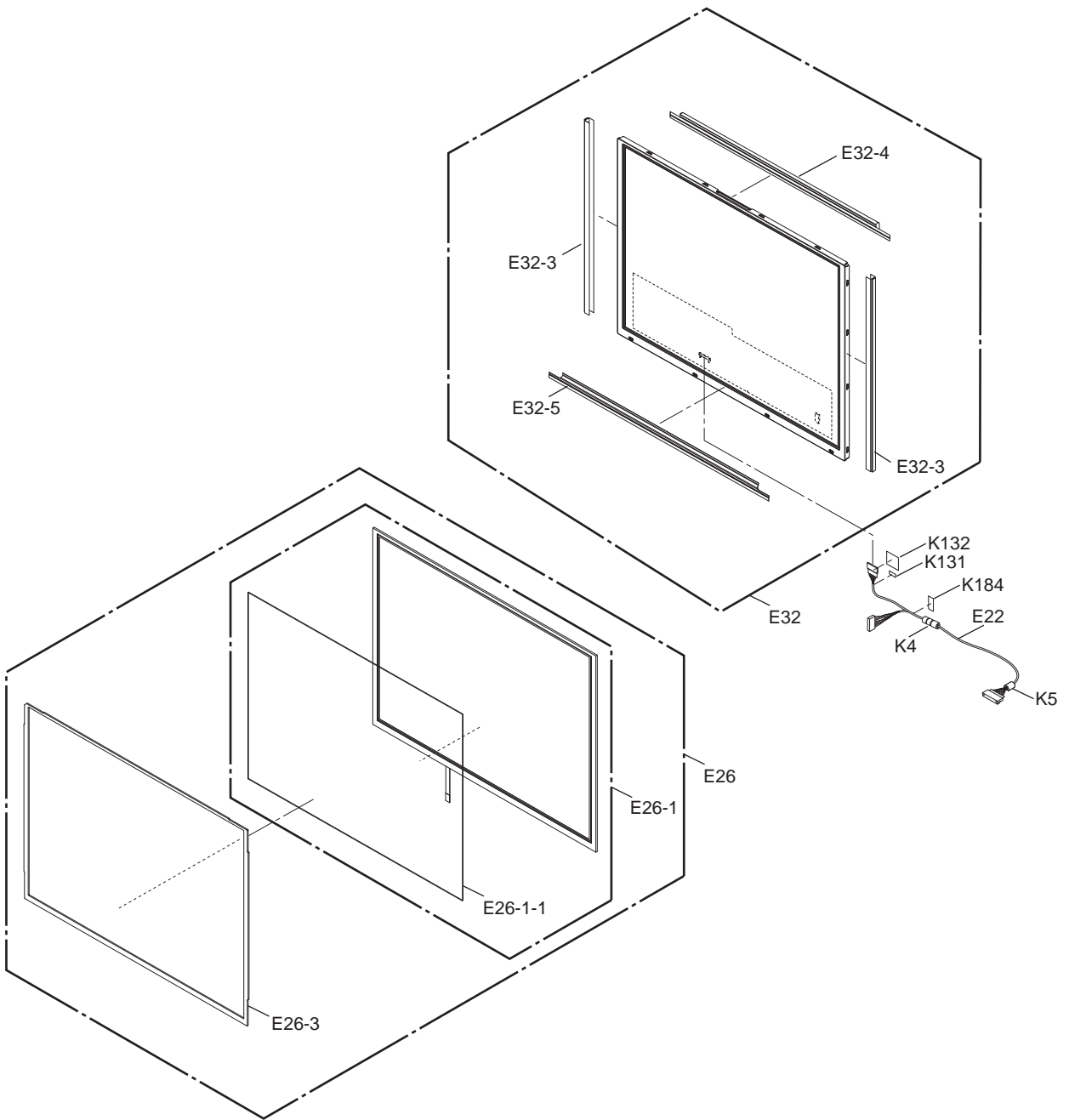
Disassembling Flow Chart






Screw tightening torque

- (D) 0.45 ± 0.05 N·m (4.5 ± 0.5 kgf·cm)
- (F) 1.50 ± 0.2 N·m (15 ± 2.0 kgf·cm)
- (G) 1.5 ± 0.15 N·m (15 ± 1.5 kgf·cm)








Replacement Parts List

Note : Important Safety Notice

Components identified by  mark have special characteristics important for safety.
When replacing any of these components, use only manufacturer's specified parts.

CF-31UFLAXxM

REF. NO and AREA	PART NO.	DESCRIPTION	Q'TY
Main Block Unit			
E1	DL3UP2098AAA	PCB, MAIN UNIT	RTL 1
E2	DL31U2121AAA	PCB, WWAN-RFSW	RTL 1
E3	DL32U2121AAA	PCB, USB3	RTL 1
E4	DL33U2121AAA	PCB, KBD	RTL 1
E5	DL34U2121AAA	PCB, SW LED	RTL 1
E6	DL36U2121AAA	PCB, EXT ANTENNA D	RTL 1
E7	DFWP0179ZA	FPC(MP)	1
E8	DL3UP2030AAA	FPC, MK2 HDD ETC UNIT	1
E9	DFWP0181ZA	FPC(BATTERY)	1
E10	DL3UP2079BAA	PCB, TS UNIT	RTL 1
E13	CR-2032/K5GN	LITHIUM COIN BATTERY	1
E16	DFJK40T030DB	FFC KBD	1
E17	DFJS1046YB	LAN CABLE	1
E19	K1NA26Z00002	EXPRESS CONNECTOR	1
E20	K1NA68Z00012	PCMCIA CONNECTOR	1
E21	 N5HZC0000060	WIRELESS LAN/BT MODULE	1
E22	DFJS1233YA	LCD CABLE	1
E23	 N3CAYYY00134	HDD, SATA 7MM 500GB	1
E24	N2ABZY000152	KEYBOARD US	NRP 1
E25	N5ZZ00000241	SO-DIMM 4GB(SAMSUNG)	1
E26	DFWV84A0362	TOUCH PANEL KIT	1
E26-1	DL4DT0206AAA	TS FILM UNIT	1
E26-1-1	DFHR3P59ZA	PROTECTIVE FILM	NRP 1
E26-3	DFHP7381ZA	TS TAPE	NRP 1
E27	DFUP1948ZA	FPC, SIM SD WWAN 40P	1
E28	DFUP1812YA	FPC, IO 40P	1
E29	DFUP2052ZA	FPC, IO 60P	1
E30	DFUP1958YA	FPC, USB3	1
E31	DL33U2120AAA	SD WOFF-SW PWB	1
E32	DFWV08A0168	LCD UNIT ASS'Y	1
E32-3	DFHG2230ZAT	LCD DMP SHEET SIDE	NRP 2
E32-4	DFHG2228XA	LCD DMP SHEET TOP	NRP 1
E32-5	DFHG2229ZAT	LCD DMP SHEET BOTTOM	NRP 1
E41	DL31U2120AAA	PCB, IOSUB	RTL 1
E42	DL32U2120AAA	PCB, PAD	RTL 1
E44	DFWP0182ZA	FPC(LED)	1
E45	DFJS1320ZA	CABLE (GRAY, LONG)	1
E46	DFJS1339ZA	CABLE (GRAY, SHORT)	1
E47	DFJS1341ZA	CABLE (WHITE, WLAN MAIN)	1
E48	N1ZYYY000093	PCB, ANTENNA WWAN MAIN + WLAN MAIN	1
E49	N1ZYYY000094	PCB, ANTENNA WWAN SUB	1
E50	N1ZYYY000097	PCB, ANTENNA WLAN SUB	1
E58	DFUP1961ZA	FPC, WL-OFF SD	1
E701	DFJS1321ZA	CABLE	1
E702	DFJS1340ZA	CABLE	1
E704	DL37U2121AAA	DUMMY PCB	RTL 1
Accessories			
A1	 DFQW5649ZAT	MANUAL(CF-31MK3 M)	1
A2	 K2CG3DR00004	AC CORD	1
A3	 CF-AA5713AM1	AC ADAPTOR	1
A4	DFHR6642YA-0	TOUCH PEN	1

A5		DFME0148YA	PEN TETHER		1
A6	⚠	NCR-B/922BE	LITHIUM ION BATTERY PACK		1
A7		DFHS9021ZA	TOUCH PANEL CLOTH		1
Packing Material					
P1		DFPH0064ZAT	KB SHEET		1
P2		DFPP0143ZAT	PROTECTION BAG		1
P3		DFPK1291YAT	PACKING CASE		1
P4		DFPK1292ZAT	SET HOLDER		1
P5		DFPK1293YBT	ACCESSORY BOX		1
Mechanical Parts					
K1		DFWV99A0241	HDD PACK KIT		1
K1-1		DL3UP1809CAA	HDD PACK FPC UNIT		1
K1-2		DFHM0482YA	HDD CASE UPPER		1
K1-3	⚠	DFKF0331ZA-0	HDD CASE LOWER		1
K1-4		DFHR8551YA	HDD DAMPER		1
K1-5		DL3UP2113BAA	HDD HEATER FPC UNIT		1
K1-6		DFMY0535ZA	HDD HEAT SPREADER	NRP	1
K1-7		DFMX1521YA	HEATER INS SHEET		1
K1-9		DFHR8549YA	HDD SIDE DUMPER		1
K1-10		DFHR3589ZAT	HD TAG	NRP	1
K1-12		DFMX1531ZA	HDD FPC INS SHEET	NRP	1
K2	⚠	DFKF8183YA-0	LCD FRONT ASS'Y		1
K2-1	⚠	DFKF0310ZB-0	LCD FRONT		1
K2-2		DFBH1197ZA	HINGE R		1
K2-3		DFBH1196ZA	HINGE L		1
K2-4		DRYN4+J10KLT	SCREW		2
K2-5		DFHR3P84ZA	TS DMP SHEET	NRP	8
K2-6		DFHR3P96ZA	WEB WP SHEET	NRP	1
K4		DFHR3P97ZA	CABLE WP SHEET LCD	NRP	1
K5		DFHR3P98ZA	CABLE WP SHEET BASE	NRP	1
K6		DFBS8004ZA-0	LCD LATCH ASS'Y		1
K6-1		DFHR6313ZA	LCD LATCH SLIDER		1
K6-2		DFBS0081ZA-0	LCD LATCH		1
K7		DFDF5030ZA	LCD LATCH SHAFT		1
K8		DFUN0094ZA	LCD LATCH SPRING		1
K11	⚠	DFKM8211YB-0	LCD REAR ASS'Y		1
K12		DFGB0131YA-0	PANASONIC BADGE	NRP	1
K16	⚠	DFKE1019ZAT0	LCD DMP SIDE COVER R		1
K17	⚠	DFKE1018ZAT0	LCD DMP SIDE COVER L		1
K18		DFHE0843ZA	LCD MAGNET	NRP	1
K19		DFHR6532YA-0	ANTENNA COVER R		1
K20		DFHR6531YA-0	ANTENNA COVER L		1
K21	⚠	DFKE1113YA	KB CABLE COVER		1
K23	⚠	DFKE1114ZA	LCD CABLE COVER		1
K24		DFHE0954YA	GASKET(HDD) 65TSV7-7-10	NRP	1
K26	⚠	DFKE1112ZA-0	DIMM COVER		1
K28		DFHR6526ZA	ANTENNA CABLE WP HOLDER		1
K29		DFHR3Q07ZA	ANTENNA CABLE WP HOLDER TAPE	NRP	1
K30		DFHR3Q05ZA	ANTENNA CABLE WP SHEET	NRP	1
K31		DFHR6550YA	DIMM COVER SPACER	NRP	1
K32	⚠	DFKF8182YB-0	BOTTOM CASE ASS'Y		1
K32-2		DFGE0087ZAT	BOTTOM CASE CUSHION	NRP	1
K32-3		DFUS0324YA	MP ESD SPRING		1
K32-4		DRQT26+E3KLT	SCREW		1
K32-5		DFGE0190ZA	BOTTOM CASE SHEET	NRP	1
K33		DFHR3Q93YA	HDMI CUSHION 10X10	NRP	1
K36		DFMY0525YA	PCH HEAT SPREADER	NRP	1
K38		DFHG2465ZA	MAIN PWB CUSHION	NRP	1
K40		DFHR3Q26YA	DIMM MAIN CUSHION	NRP	1
K41		DFHR3S36WA	KB SPACER	NRP	1
K42		DFMX0634ZA	CD EDGE SHEET	NRP	1


K44	DFMD7C28YA	HDD FPC HOLDER (SECC)		1
K45	DFHR6247ZB	BATT GUIDE		1
K46	DFHR8521ZA	BATT CN PIN CUSHION		2
K47	DFHM0396ZA	BATT CN PIN		2
K50	△ DFKM8217QA-0	TOP CASE ASS'Y		1
K50-5	△ DFKE0876ZB	SPEAKER CASE B		1
K50-6	△ DFKE0856ZB-0	SPEAKER CASE A		1
K50-7	DFHG1892YA	SPEAKER CASE CUSHION		1
K50-8	DFHR3Q90ZA	SP SPACER SHEET		1
K50-10	DFHR3Q16ZA	SIDE USB SPACER SHEET	NRP	1
K50-11	DFHR3D56ZA-0	CN COVER SHEET	NRP	1
K50-12	DFHG1891ZA	HANDLE ARM CUSHION	NRP	2
K50-13	DRQT26+E3KLT	SCREW		12
K50-14	DRQT26+E5KLT	SCREW		7
K50-15	DFUQ0102ZA	POTRE SPRING		2
K50-16	DXSB26+4FNLT	SCREW		2
K50-17	DFHM0419YA	LCD FOOT CAP		2
K50-18	DFHG1699ZA	LCD LOCK SHEET	NRP	2
K50-19	DRQT26+E3NLT	SCREW		4
K50-20	DFKH8011ZA-0	HANDLE ASS'Y		1
K50-21	DFBD8001ZA-0	POWER SW ASS'Y		1
K50-22	DFKH5023ZA-0	HANDLE BASE L		1
K50-23	DFKH5024ZA-0	HANDLE BASE R		1
K50-24	DRSN4+6FKLT	SCREW		2
K50-25	△ DFKE8207YB-0	HDD COVER ASS'Y		1
K50-26	DFHR6291YB-0	FRONT BELT COVER		2
K50-27	DFMD2170XA	KENSINGTON PLATE		1
K50-28	DFHR6089YA-0	HANDLE ARM BUSH		4
K50-29	DFHR3P88ZA	POWER SW SHEET	NRP	1
K50-30	DRHM0118ZAT	SCREW		2
K50-31	DFHR3T04ZA	PAD FPC SHEET		1
K50-32	DFHR3Q41YA	BATT CUSHION	NRP	1
K50-33	DFHR3Q40ZA	BATT SLIDE SHEET	NRP	1
K50-35	DFHR3643ZAT	TP BOTTOM TAPE	NRP	1
K50-41	DFHR3P86ZA	PAD SW SHEET	NRP	1
K50-43	DFHR6511ZA-0	PALM TOP COVER		1
K50-53	△ DFKE8205YB-0	MP COVER ASS'Y		1
K50-54	△ DFKE8208ZB-0	CN COVER ASS'Y		1
K50-55	△ DFKE8209ZA-0	MP LATCH ASS'Y		1
K50-56	△ DFKE8210ZA-0	CN LATCH ASS'Y		1
K50-57	△ DFKE8206ZB-0	BATT COVER ASS'Y		1
K50-58	L0AA04C00016	SPEAKER		1
K50-59	N2EAYYY00022	TOUCH PAD		1
K50-60	DRYN4+J10KLT	SCREW		2
K51	DFHR3E98ZA	KB WP SHEET	NRP	1
K52	DFHR9185ZA	SERIAL COVER ASS'Y		1
K53	DFHR3Q17ZA	PALM TOP SHEET	NRP	1
K54	DFMD4080ZA-0	SERIAL CN HINGE PLATE		1
K55	DFGP0203ZA	PALM TOP COVER SHEET	NRP	1
K56	DFHR9186YA	5 FLAPS ASS'Y		1
K57	DFHR3Q03VA	SERIAL COVER WP SHEET	NRP	1
K59	DFHR3Q04VA	SIDE IO COVER WP SHEET	NRP	1
K64	DFHR3Q98YA	DC WP SHEET	NRP	1
K65	DFHR6530ZAT0	FAN COVER		1
K67	DFHG2288ZA	SUB ANT RUBBER	NRP	1
K68	DFMY0530ZA	SUB HP HEAT RUBBER		1
K71	DFMY5054YA	HEATSINK		1
K73	L6FCYYD0007	FAN		1
K78	DFMD7C29YA	FAN FILTER		1
K79	DFHR3Q48ZA	EX CARD EDGE SHEET	NRP	1
K82	DFHR6529ZA	HDD CABLE COVER		1

K87	△	DFKE0996WA	MAIN CHASIS		1
K91	△	DFKE1015ZA	1ST LAN SLOT		1
K92	△	DFKE1014YA	CONFIG USB ONLY HOLDER		1
K94		DFHR6635YA	DIMM STOPPER 2		1
K95		DFMY5059ZA	DIMM HEAT SPREADER 2	NRP	1
K96		DFHR3Q27XA	DIMM STOPPER CUSHION	NRP	1
K98		DFHR6446ZA	MINI CRAMP_5	NRP	1
K99		DFHR6525ZA	LCD CABLE HOLDER		1
K102	△	DFKE1025ZAT0	HINGE COVER		2
K104	△	DFKE1021ZA	ANTENNA CABLE COVER		1
K105		DFHR3Q06ZA	ANTENNA CABLE WP ANGLE SHEET	NRP	1
K106		DFHE1082ZA	GASKET		2
K108		DFHR6512ZA-0	KB COVER		1
K109		DFHR6623ZA	ANTENNA CABLE HOLDER-2		1
K112		DFMY0526XA	W-LAN HEAT SPREADER	NRP	1
K114	△	DFKE1011ZBT	SIM SLOT		1
K115		DFHG2416ZA	FOOT RUBBER		4
K116	△	DFGT1520ZA	NAMEPLATES (USA)		1
K117		DFQT0117ZA	CORE I5 VPRO 2G LABEL	NRP	1
K118		DFQT0045ZB	ENERGY STAR LABEL	NRP	1
K119		DFGB0165XB-0	TOUGH BADGE NEW		1
K121		DFQT0055XA	COA SERIAL LAMINATE	NRP	1
K127		DFQT0092ZA	WINDOWS 7 LOGO LABEL	NRP	1
K128		DFHR3Q42ZA	CABLE FFC GUIDE	NRP	1
K131		DFHR3R07ZAT	LCD CABLE EMI TAPE	NRP	1
K132		DFMC0867WA	EMI CLOTH	NRP	1
K135		DFHR6561ZA	BATT FPC COVER		1
K171		DFMY0555ZA	CPU HEAT RUBBER		1
K172		DFHM0483ZA	FAN SPACER		2
K173		DFHR8544ZA	FAN CUSHION 2	NRP	2
K174		DFHR8543YA	FAN CUSHION	NRP	1
K175		DFHR6640ZA	FAN COVER		1
K176		DFHR3T08XA	FAN COVER PACKING	NRP	1
K177		DFHR3U22ZA	HDMI CUSHION B	NRP	2
K178		DFHR3U23ZA	HDMI SPACER	NRP	1
K180		DFHR6665ZA	CABLE HOLDER 3		1
K181		DFHR6639YA	MULTI POCKET CHASSIS		1
K184		DFHE0377WA	DOUDENFU 20X26	NRP	1
K185		DFHR3741ZA	FFC CN STOPPER	NRP	7
K186		DFHR3G42ZA	TAPE PEN HOLDER	NRP	2
K187		DFHR6594ZA	HDD CN GUARD		2
K188		DFMY0528ZA	VGA HEAT RUBBER		1
K189		DFMY0529ZA	VRAM HEAT RUBBER		2
K190		DFMY0531ZA	VGA HEAT RUBBER UPPER		1
K191		DFMY0566YA	HEAT SPREADER		1
K192		DFHR3T38ZA	BATTERY CN CAP	NRP	1
K196		DFHG1880ZAT	BATT CUSHION A	NRP	9
K198		DFHR3P85YA-1	REAR CABLE SHEET		2
K199		DFHE1342ZA	GASKET 51HW5H2-50	NRP	1
K200		DFHE1343ZA	GASKET 51HW4H3-8	NRP	2
K201		DFHE1344ZA	GASKET 51HW7H3-6.5	NRP	1
K202		DFQR0359ZB	FCC ID LABEL	NRP	1
K401		DFHR6514ZA-0	POWER SW LED PANEL		1
K402		DFHR3P87ZA	PW LED SHEET	NRP	1
K403		DFHR6354ZA-0	MIC JACK HOLDER		1
K404		DFHE5058ZBT	SCREW(HEXAGON)		4
K405		DRHM5104ZAT	SCREW		3
K406		DXHM0057ZA	SCREW		2
K408	△	DFKE1016ZA	WIRELESS SW COVER		1
K409	△	DFKE1017ZA	WIRELESS SW COVER SMC BLANK		1
K410		DFBD0207ZA-0	WIRELESS SW KNOB		1

K411	XTB2+6JFK	SCREW		1
K412	DRQT26+E5KLT	SCREW		3
K413	DRQT26+E3NLT	SCREW		2
K414	DFHR3Q10ZA	LED 7 SPACER		1
K415	DFHR6355ZA	TP SW KNOB IN		1
K416	DFHG1901ZA-0	TOUCH PAD SW RUBBER		1
K418	DFHE5025XAT	SCREW		2
N2	DRSB26+10KLT	SCREW		10
N3	DRSB4+10FKLT	SCREW		2
N4	DRQT2+E8FKLT	SCREW	NRP	2
N7	DXQT2+D4FNLT	SCREW	NRP	10
N10	DRSB26+8HKLT	SCREW		2
N14	DRQT26+E4KLT	SCREW		43
N15	DRQT26+E6KLT	SCREW		27
N19	DXSN26+6FNLT	SCREW		6
N31	DRQT26+E3KLT	SCREW		12
N32	DRYN4+J10KLT	SCREW		4
N33	DFHE5025XAT	SCREW		2
N34	DRHM0182ZA	SCREW		6
N35	DRHM0186ZA	SCREW		2
N36	DRHM5025YAT	SCREW		2
N37	DRHM5054XAT	SCREW		1
N38	XTB2+12GFJKT	SCREW		2
N39	XTB26+8GFJKT	SCREW		2
N40	DRQT2+G6FKLT	SCREW		2
N41	DXSB2+3FNLT	SCREW		4

Replacement Parts List

Note: Important Safety Notice

Components identified by  mark have special characteristics important for safety.
When replacing any of these components use only manufacturer's specified parts.

CF-31UFLAXxM

REF. NO and AREA	PART NO.	DESCRIPTION	Q'TY
MAIN PCB			
C 1, 2, 3, 4, 5, 6, 7, 8, 9, 10, 11, 13, 14, 15, 16, 17, 18, 19, 20, 36, 37, 38, 39, 40, 41, 42, 43, 45, 47, 48, 50, 52, 53, 55, 57, 58, 60, 62, 63, 65, 67, 68, 69, 70, 71, 73, 91, 95, 99, 103, 106, 107, 110, 111, 113, 114, 115, 116, 117, 118, 119, 120, 121, 122, 124, 126, 128, 130, 132, 134, 136, 138, 140, 146, 147, 148, 149, 168, 169, 170, 171, 206, 208, 209, 210, 212, 213, 214, 215, 221, 225, 226, 235, 406, 424, 427, 437, 446, 447, 448, 489, 490, 491, 492, 493, 494, 513, 514, 516, 520, 521, 522, 536, 540, 556, 557, 558, 1030, 1031, 1032, 1033, 1048, 1050, 1059, 1060, 1103, 1115, 1156, 1183, 1215, 1314, 1315, 1316, 1318, 1319, 1320, 2010, 2050, 2071, 2072, 2082, 2083, 2084, 2097, 2135, 3059, 3066, 3067, 3068, 3069, 3070, 3071, 3074, 3075, 3076, 3079, 3080, 3081, 3082, 3083, 3084, 3085, 3086, 3087, 3088, 3089, 3090, 3091, 3092, 3093, 3094, 3095, 3096, 3097, 3098, 3099, 3100, 3101, 3102, 3103, 3104, 3105, 3106, 3107, 3108, 3109, 3110, 3111, 3112, 3115, 3136, 3137, 3138, 3139, 3140, 3156, 3157, 3166, 3167, 3176, 3177, 3265, 3273, 3278, 3283, 3285, 3291, 3299, 3304, 3309, 3311, 3402	F1G0J105A035	CAPACITOR, 6.3V, 1 μ F	212
C 22, 24, 26, 28, 31, 34, 78, 83, 97, 101, 399, 431, 523, 524, 550, 551, 552, 553, 554, 555, 1165, 1435, 2116, 2121, 3178, 3181, 3190, 3191	F1J0J2260002	CAPACITOR, 6.3V, 22 μ F	28



C 25, 27, 29, 32, 35, 44, 46, 49, 51, 54, 56, 59, 61, 64, 66, 85, 90, 94, 98, 102, 123, 125, 127, 129, 131, 133, 135, 137, 156, 159, 162, 163, 164, 165, 178, 181, 184, 185, 186, 187, 207, 211, 498, 499, 500, 501, 502, 503, 547, 1137, 2300, 2301, 2302, 2305, 3186, 3187, 3188, 3189	F1H0J106A043	CAPACITOR, 6.3V, 10 μ F	58
C 72, 112, 139, 166, 188, 2057, 2063, 2085, 2172, 3203, 3240, 3241, 3250	EEFSX0D331ER	CAPACITOR, 2V, 330 μ F	13
C 74, 92, 141, 142, 143, 144, 151, 154, 157, 160, 173, 176, 179, 182, 216, 236, 237, 238, 239, 240, 241, 242, 243, 359, 404, 405, 407, 408, 423, 429, 430, 432, 433, 436, 505, 506, 508, 510, 517, 525, 529, 531, 532, 534, 535, 537, 539, 541, 542, 543, 546, 598, 1002, 1003, 1004, 1006, 1011, 1014, 1028, 1038, 1039, 1040, 1041, 1042, 1043, 1044, 1045, 1046, 1047, 1058, 1070, 1071, 1072, 1079, 1081, 1082, 1083, 1084, 1085, 1086, 1087, 1089, 1090, 1091, 1092, 1093, 1094, 1095, 1096, 1098, 1100, 1101, 1102, 1118, 1119, 1124, 1127, 1129, 1130, 1131, 1132, 1133, 1134, 1135, 1143, 1144, 1145, 1146, 1153, 1154, 1155, 1158, 1160, 1163, 1164, 1166, 1167, 1168, 1169, 1173, 1174, 1180, 1182, 1187, 1188, 1189, 1193, 1196, 1197, 1213, 1214, 1222, 1224, 1225, 1226, 1228, 1233, 1238, 1239, 1241, 1257, 1258, 1259, 1260, 1261, 1262, 1263, 1272, 1275, 1312, 1313, 1321, 1324, 1326, 1330, 1331, 1332, 1333, 1334, 1335, 1336, 1337, 1338, 1339, 1340, 1341, 1342, 1343, 1344, 1345, 1400, 1401, 1402, 1403, 1404, 1405, 1406, 1436, 1500, 1501, 1600, 1601, 1602, 1603, 1604, 2028, 2047, 2065, 2067, 2068, 2080, 2131, 2150, 3008, 3011, 3012, 3017, 3032, 3117, 3118, 3119, 3120, 3123, 3124, 3127, 3142, 3143, 3145, 3147, 3148, 3149, 3163, 3165, 3168,	F1G1C104A048	CAPACITOR, 16V, 0.1 μ F	246

3169, 3170, 3171, 3173, 3174, 3197, 3198, 3199, 3200, 3201, 3266, 3270, 3277, 3279, 3280, 3281, 3286, 3289, 3292, 3296, 3303, 3305, 3306, 3307, 3312, 3315, 3316, 3400, 3817, 3838, 3840, 3845				
C 218, 219, 3195		EEFCX0D221R	CAPACITOR, 2V, 220µF	3
C 220, 227, 228, 229, 230, 231, 232, 233, 234, 244, 398, 509, 511, 512, 1064, 1116, 1159, 1161, 1172, 1175, 1176, 1177, 1185, 1201, 1202, 1203, 1217, 1230, 2094, 2099, 2125, 2127, 2129, 3158, 3159, 3160, 3161, 3260, 3261, 3268, 3274, 3275, 3288, 3294, 3300, 3301, 3314, 3401, 3502, 3503, 3843		F1G1E1030005	CAPACITOR, 25V, 0.01µF	51
C 223, 224		F1G1H6R0A544	CAPACITOR, 50V, 6.0pF	2
C 245, 246		F1G1H2R0A543	CAPACITOR, 50V, 2pF	2
C 397, 400, 401, 402, 434, 435, 507, 1034, 1049, 1061, 1073, 1104, 1105, 1126, 1157, 1171, 1184, 1216, 1229, 1240, 2073, 2077, 2079, 3043, 3044, 3045, 3047, 3048, 3049, 3050, 3052, 3053, 3054, 3055, 3056, 3057, 3058, 3063, 3064, 3065, 3113, 3114, 3122, 3125, 3126, 3128, 3130, 3131, 3132, 3133, 3134, 3135, 3141, 3144, 3150, 3151, 3152, 3153, 3154, 3155, 3179, 3180, 3182, 3183, 3184, 3185, 3267, 3269, 3271, 3272, 3287, 3293, 3295, 3297, 3298, 3313, 3403		F1J1A106A043	CAPACITOR, 10V, 10µF	77
C 438		F1G1H8R0A544	CAPACITOR, 50V, 8pF	1
C 439		F1G1H7R0A544	CAPACITOR, 50V, 7.0pF	1
C 1022, 1023, 1024, 1025		F1J2A103A018	CAPACITOR, 100V, 0.01µF	4
C 1026		F1L3D1020008	CAPACITOR, 2KV, 1000pF	1
C 1036, 2006, 2014, 2024, 3248		F1J1E334A081	CAPACITOR, 25V, 0.33µF	5
C 1037, 2035		F1G1H152A496	CAPACITOR, 50V, 1500pF	2
C 1051, 2115, 3243		F1G1E223A062	CAPACITOR, 25V, 0.022µF	3
C 1052, 1062, 1063		F1G1H271A495	CAPACITOR, 50V, 270pF	3
C 1053, 1054		F1G1H5R0A543	CAPACITOR, 50V, 5pF	2
C 1065, 1066, 1067, 1068, 1069, 2101, 2134, 2906		F1J1E105A080	CAPACITOR, 25V, 1µF	8
C 1106, 1107		F1G1H180A542	CAPACITOR, 50V, 18pF	2

C 1108, 1109, 1110, 1121, 1122, 1178, 1234, 1235, 1243, 1244, 1245, 1246, 1247, 1249, 1250, 1251, 1256, 1266, 1267, 1268, 2033, 2036, 2037, 2049, 2090, 2117, 2145, 2146, 2149, 2902, 3001, 3841, 3842, 3844	F1G1H102A459	CAPACITOR, 50V, 1000pF	34
C 1111, 1125, 1128, 1139, 1140, 1162, 1317, 1322, 1325, 2052, 2055, 2095, 2102, 2156, 2157, 2166, 2168, 3116, 3121, 3204, 3236, 3246, 3247, 3249, 3251	F1H0J475A010	CAPACITOR, 6.3V, 4.7µF	25
C 1113, 1204, 2031, 2038, 2051, 2066, 2070, 2075, 2160, 3194, 3239, 3244, 3256	F1G1H1010005	CAPACITOR, 50V, 100pF	13
C 1120, 1141, 1142	F1H1A225A025	CAPACITOR, 10V, 2.2µF	3
C 1138, 1328, 1329, 2042, 2043, 2159, 3002, 3005, 3006, 3007, 3009, 3010, 3013, 3014, 3015, 3016, 3018, 3019, 3020, 3021, 3022, 3023, 3024, 3025, 3026, 3027, 3028, 3030, 3033, 3034, 3035, 3036, 3037, 3038, 3039, 3040, 3041, 3042, 3202, 3205, 3206, 3207, 3208, 3209, 3210, 3211, 3212, 3213, 3214, 3215, 3216, 3217, 3218, 3219, 3220, 3221, 3222, 3223, 3224, 3225, 3226, 3227, 3228, 3229, 3230, 3231, 3232, 3233, 3234, 3235	F1G0J224A001	CAPACITOR, 6.3V, 0.22µF	70
C 1205, 1206, 1207, 1208, 1209, 1210, 1211, 1212	F1G1H100A544	CAPACITOR, 50V, 10pF	8
C 1219, 1220, 2110	EEFCX0G151R	CAPACITOR, 2V, 150µF	3
C 1231, 1323, 2007, 2011, 2021, 2074, 2137, 2138, 2139, 2140, 2141, 2142	F1H1H104A748	CAPACITOR, 50V, 0.1µF	12
C 2000, 2001, 2002, 2003, 2004, 2005, 2008, 2009, 2012, 2013, 2022, 2023, 2058, 2059, 2061, 2062, 2064, 2081, 2089, 2106, 2108, 2109, 2147, 2148, 2152, 2153, 2154, 2155, 2181, 2182, 3238, 3245, 3252, 3253, 3255, 3319	F1K1E1060001	CAPACITOR, 25V, 10µF	36
C 2017, 2018, 2019, 2020, 2025	EEFLX0D471R	CAPACITOR, 2V, 470µF	5
C 2026	EEFSX0D471XE	CAPACITOR, 2V, 470µF	1
C 2030, 2032, 2044	F1G1H122A496	CAPACITOR, 50V, 1200pF	3
C 2034, 2045	F1G1H331A496	CAPACITOR, 50V, 330pF	2
C 2039, 2046	F1G1H821A496	CAPACITOR, 50V, 820pF	2
C 2040, 2048, 2304, 3129	F1G1H222A496	CAPACITOR, 50V, 2200pF	4

C 2041		F1G1H220A542	CAPACITOR, 50V, 22pF	1
C 2053, 2104, 2124, 2128, 2130, 2132, 3196, 3242, 3258, 3839		F1G1C473A004	CAPACITOR, 16V, 0.047µF	10
C 2056, 2060, 2076, 2093, 2100, 2118, 2143, 2161, 3192, 3237, 3254		F1H1C224A074	CAPACITOR, 16V, 0.22µF	11
C 2069, 2078		F1G1H182A496	CAPACITOR, 50V, 1800pF	2
C 2088		F1G1H680A542	CAPACITOR, 50V, 68pF	1
C 2105		F1G1H681A496	CAPACITOR, 50V, 680pF	1
C 2111, 2112		EEFCX0J101R	CAPACITOR, 6.3V, 100µF	2
C 2114		F1G1H561A496	CAPACITOR, 50V, 560pF	1
C 2119		F1G1H472A496	CAPACITOR, 50V, 4700pF	1
C 2158		F1G1H221A496	CAPACITOR, 50V, 220pF	1
C 2303		F1G1H470A542	CAPACITOR, 50V, 47pF	1
C 3193		F1L1E106A135	CAPACITOR, 25V, 10uF	1
C 3257		F4Z0E1570001	CAPACITOR	1
C 3259		F1G1H121A495	CAPACITOR, 50V, 120pF	1
C 3262, 3263		F1G1H120A542	CAPACITOR, 50V, 12pF	2
CF 1, 1000, 2002, 3000		D4CC11030026	THERMISTOR	4
CF 2000, 2001		ERTJ0EV474F	THERMISTOR	2
CN 1		K1MN60AA0018	FPC CN	1
CN 2, 13, 30		K1MN40AA0018	CONNECTOR	3
CN 3		K1MN45AA0024	CONNECTOR	1
CN 5		K1MN20AA0018	FPC CN 20PIN	1
CN 7, 8		K1MY50BA0431	FPC CN	2
CN 9		K1MN15AA0018	FPC CN 15PIN	1
CN 10		K1MN80BA0246	CONNECTOR	1
CN 11		K1MN40BA0059	CONNECTOR	1
CN 12		K1MY24BA0431	CONNECTOR	1
CN 16		K1KB40AA0049	CONNECTOR	1
CN 19		K1KA02AA0051	CONNECTOR	1
CN 20		K1KA08BA0014	CONNECTOR	1
CN 21		K1MYL4B00002	DDR3 SO-DIMM SOKET UPPER	1
CN 22		K1MYL4B00001	DDR3 SO-DIMM SOKET LOWER	1
CN 24		K1KB12A00099	CONNECTOR	1
CN 29, 47		K1MN12AA0018	CONNECTOR	2
CN 37		K1MY52B00008	MINI PCI CN	1
CN 1002		K1FY119E0019	HDMI CONNECTOR	1
CN 1003		K1MN30AA0018	CONNECTOR	1
D 1, 2, 1001, 1017		B0JCDD000001	DIODE, SHOTKEY BARIEEER	4
D 3, 2900, 2901		B0JDBE000002	DIODE	3
D 1000, 1002, 1010		B0KB00000044	DIODE	3
D 1003, 1004, 1005, 1006, 1007, 1008, 1009, 1011, 1014, 1019, 1020, 1021, 1022, 1023, 1024, 1025, 1026		B0ADDH000004	DIODE	17
D 2000, 2001, 2002, 2004, 3002		B0JCRD000017	DIODE	5
D 2003, 2005, 2007, 2008, 2026, 2040, 3001, 3004, 3005		B0JCMD000046	DIODE	9
D 2006		B0ADCJ000025	DIODE	1
D 2009, 2010, 2012, 2013, 2014, 2015, 2017, 3003, 3803, 3804, 3805		B0BC5R1A0424	DIODE	11
D 2016, 2027		B0BC6R2A0424	DIODE	2

D 2018		B2ABAM000002	DIODE	1
D 2019		B0ACCK000003	DIODE	1
D 2020, 2021		B0ADCJ000026	DIODE	2
D 2025		B0JCCE000008	DIODE	1
D 2028		B0BC7R5A0424	DIODE	1
D 2029, 2038, 2902, 2903		B0JCSE000006	DIODE	4
D 2030		B0BC018A0426	DIODE	1
D 2041		B0BC02200034	DIODE	1
F 1, 7	⚠	K5H5021A0010	FUSE, 5A, 24V	2
F 2, 4, 5, 6, 8, 15, 16, 18	⚠	K5H2022A0006	FUSE, 2A, 32V	8
F 3	⚠	K5H4021A0010	FUSE, 4A, 24V	1
F 11	⚠	K5H153A00001	FUSE, 15A, 65V	1
F 20, 21	⚠	ERBSE0R50U	FUSE, 0.5A, 32V	2
F 2000	⚠	K5H123Y00001	FUSE, 12A, 65V	1
IC 1		C2GBD0000122	CPU(I5-3360M)	1
IC 2		C1CB00003884	PCH(QM77)	1
IC 5		C2DBYY001053	MICRO CONTROLLER	1
IC 16		C1CB00003086	SECURITY CHIP	1
IC 17		C0JBAZ003072	LOGIC IC	1
IC 19		C1CB00003590	GPIO IC	1
IC 22		C0JBAA000511	IC	1
IC 46, 1003, 1029, 1072, 3007, 3806, 3807		C0JBAA000484	LMOS GATE IC	7
IC 90		C1CB00003599	LAN CONTROLLER	1
IC 1000		C1CB00003065	LAN SWITCH	1
IC 1002		C1CB00002585	IC	1
IC 1006		C1CB00003588	CARD BUS CONTROLLER	1
IC 1007		C0DBZY00348	PC CARD POWER SWITCH	1
IC 1008		C1CB00003376	SUPER IO	1
IC 1009		C0ZBZ0000978	IC	1
IC 1012		C3FBQY000085	128MB NOR FLASH MEMORY	1
IC 1018		C3EBDY000025	EEPROM	1
IC 1020		C0DBGYY00600	REGULATOR	1
IC 1032, 1051, 1052		C0JBAA000505	LMOS GATE IC	3
IC 1033		C0ABZA000084	AMP	1
IC 1034		C0ABGA000072	OP AMP	1
IC 1050, 1098, 3777		C0JBAZ002836	IC, LOGIC	3
IC 1053		C0JBAZ002476	IC	1
IC 1062		C1CB00003833	TOUCH PAD CONTROLLER	1
IC 1063, 1064, 1065		C0JBAA000381	IC, LOGIC	3
IC 1071		C0EBY0001029	RESET IC	1
IC 1079		C0EBY0000760	RESET IC	1
IC 1081, 1082		C0DBZY00347	USB POWER SW	2
IC 1085, 3801		C0JBAB000621	IC, LOGIC	2
IC 1088		C1CB00003781	AUDIO CODEC	1
IC 1094		C1CB00003584	LEVEL SHIFTER	1
IC 1095, 1096		C0JBAZ003024	SWITCH IC	2
IC 2000		C0DBAYY01071	IMVP7.0 POWER IC	1
IC 2001, 3041, 3043, 3044		C0DBAYY01063	POWER IC	4
IC 2002		C0DBAYY00752	2CH SWITCHING POWER	1
IC 2003		C0DBEYY00116	REGULATOR	1
IC 2004		C0EBY0001329	LOW VOLTAGE DETECTOR	1
IC 2005		C0DBAYY01488	POWER IC	1
IC 2011		C0DBDYY00020	IC	1
IC 2012		C0ABZA000047	IC, AMP	1
IC 2014		C0DBAYY01334	SWITCHING REGULATOR	1
IC 2016, 3042		C0DBAYY01269	POWER IC	2
IC 2300		C0DBAYY01496	POWER IC	1

IC 2900, 2901		C0EBY0001393	VOLTAGE DETECTER	2
IC 3000		C1CB00003851	VGA	1
IC 3015, 3016, 3017, 3018		C3ABTY000077	GDDR5 VRAM	4
IC 3022, 3024, 3034		C0JBAR000515	IC, Q-SWITCH	3
IC 3026		C1CB00003604	PLL	1
IC 3033		C0JBAR000565	VIDEO SWITCH	1
IC 3035, 3036, 3037		C0JBAR000434	LMOS GATE IC	3
IC 3038		C0JBAE000212	LMOS GATE IC	1
IC 3039		C0JBAZ003023	LVDS SIGNAL SWITCH IC	1
IC 3805		C0EBE0000459	IC	1
IC 3808		C0EBB0000202	IC	1
JK 2000		K2EYB000001	JACK	1
L 9, 10		G1C100MA0392	COIL	2
L 51, 2006, 3000, 3001, 3007, 3010, 3015, 3017, 3020, 3022, 3023, 3024, 3025, 3043, 3044		J0JHC0000078	DC POWER LINE BEADS	15
L 56		J0JBC0000015	CHIP BEADS	1
L 1000, 1001, 1002, 1003, 1005, 1020, 1031		J0MAB0000236	CHIP COMMON MODE CHALK COIL	7
L 1014, 1016, 1027, 1030, 3019		J0JJC0000015	INDUCTOR	5
L 1017, 1018		J0JAD0000028	CHIP COMMON MODE CHALK COIL ARRAY	2
L 1019, 1021, 1022		J0JCC0000186	INDUCTOR	3
L 1023, 1024, 1025		J0JDC0000095	CHIP BEADS	3
L 1032, 1033, 1034		J0MAB0000229	CHIP COMMON MODE CHALK COIL	3
L 2001, 2003		ETQP4LR36AFM	POWER CHOKE COIL	2
L 2005		ETQP4LR36AFC	POWER CHOKE COIL	1
L 2008, 2009		G1C1R0MA0535	CHALK COIL	2
L 2010, 2024		G1C1R5Z00011	CHALK COIL	2
L 2013, 2016, 2017		G1C4R7MA0448	INDUCTOR	3
L 2018, 2019		J0JKC0000007	INDUCTOR	2
L 2022		G1C4R7ZA0240	CHIP INDUCTOR	1
L 2300, 3052		G1C2R2ZA0240	INDUCTOR	2
L 3040, 3041		J0JYC0000098	DC POWER LINE BEADS	2
L 3048		G1C1R5MA0503	INDUCTOR	1
L 3050		G1CR56ZA0244	COIL	1
L 3051		G1C2R2MA0503	COIL	1
PA 6, 1000		D4FB1R100015	OVER CURRENT PROTECTOR	2
Q 1, 2, 7, 8, 9, 78, 79, 1047, 1048, 1049, 1058, 1059, 1068, 1071, 1072, 2095, 2096, 2102, 2902, 2925, 2926, 3001, 3002, 3003, 3004, 3005, 3019, 3200, 3202, 3812, 3813, 3814, 3815, 3816		B1CFGD000023	TRANSISTOR	34
Q 3, 4, 1021, 1027, 1034, 1037, 1039, 1044, 1064, 2020, 2021, 2036, 2037, 2083, 2084, 2085, 2086, 2087, 2900, 2904, 3006, 3007, 3811, 3819		B1GBCFJN0037	TRANSISTOR	24
Q 5, 1036, 1043, 1046, 1065, 2022, 2023, 2040, 2041, 2042, 2090, 2905, 2914, 2915, 3821		B1GDCFNN0031	TRANSISTOR	15
Q 6, 30		B1MBDCA00004	TRANSISTOR	2

Q 51, 53, 1003, 1016, 1017, 1028, 1073, 1076, 1077, 2026, 2035, 2038, 2044, 2045, 2046, 2047, 2048, 2049, 2050, 2051, 2052, 2053, 2054, 2055, 2056, 2057, 2058, 2059, 2091, 2103, 2121, 2906, 2907, 2908, 2909, 2910, 2911, 2912, 2913, 2916, 2921, 2922, 2923, 2924, 3016, 3020, 3818, 3822, 3823, 3824, 3825, 3826, 3827		B1GBCFNN0042	TRANSISTOR	53
Q 1009, 1035, 1040, 1042, 1052, 2030, 2034, 2117, 3817		B1CHRC000029	FET	9
Q 1018, 1019, 1026, 2060		B1CHRC000008	FET	4
Q 1029, 1030, 1031, 1032, 1033, 1087, 1088		B1GHCFYY0034	TRANSISITOR	7
Q 1045, 2016, 2033, 2066, 2067, 2122, 3820		B1CFRD000080	SILICON N CHANNEL MOSFET	7
Q 1050, 2092, 2093, 2917, 2918, 2919, 2920		B1CHRD000033	FET	7
Q 1095		B1GBCFJA0032	TRANSISTOR	1
Q 2000, 2002, 2004, 2006, 2008, 2010, 2012, 2013, 2017, 2018, 2024, 2025, 2028, 2029, 2098, 2099, 2120, 2123, 3008, 3009, 3012, 3014, 3017, 3018, 3021, 3022		B1CFRD000060	N-CH POWER MOS-FET	26
Q 2001, 2003, 2005, 2007, 2009, 2011		B1CFRD000104	MOSFET N CHANNEL	6
Q 2027		B1MBADA00007	FET	1
Q 2061, 2062, 2063, 2064		B1CHGD000014	TRANSISTOR	4
Q 2094		B1CFND000011	FET	1
Q 2901, 2903, 2927, 2928		B1CDRD000004	FET	4
Q 3013, 3015		B1CFRD000137	FET	2
R 4, 3023		D0GA510JA023	RESISTOR, 1/16W, 51Ω	2
R 9, 102, 2069		D1BDR011A111	RESISTOR, 1/3W, 0.011Ω	3
R 12, 2036		D0GA131JA023	RESISTOR, 1/16W, 130Ω	2
R 13, 29		D0GA430JA023	RESISTOR, 1/16W, 43Ω	2

R 14, 15, 22, 54, 104, 160, 163, 166, 168, 182, 193, 209, 225, 244, 349, 354, 364, 365, 445, 447, 490, 555, 559, 565, 566, 587, 589, 591, 592, 602, 604, 611, 612, 651, 654, 655, 656, 1016, 1024, 1029, 1035, 1036, 1068, 1103, 1104, 1109, 1110, 1112, 1117, 1153, 1156, 1184, 1186, 1192, 1193, 1194, 1196, 1204, 1211, 1231, 1252, 1277, 1285, 1319, 1321, 1323, 1324, 1326, 1360, 1370, 1377, 1378, 1384, 1385, 1393, 1394, 1403, 1404, 1406, 1407, 1602, 1603, 1604, 1612, 2041, 2051, 2101, 2119, 2150, 2189, 2251, 2919, 2921, 3121, 3122, 3125, 3126, 3130, 3132, 3168, 3179, 3193, 3197, 3237, 3239, 3240, 3243, 3255, 3277, 3289, 3293, 3419, 3862, 3863		D0GAR00J0005	RESISTOR, 1/16W, 0Ω	114
R 16, 48, 1172, 1173		D0GA750JA023	RESISTOR, 1/16W, 75Ω	4
R 17, 23, 66, 79, 80, 116, 117, 132, 169, 512, 557, 1028, 1050, 1051, 1105, 1106, 1122, 1178, 1179, 1274, 1314, 2003, 2007, 2015, 3003, 3007, 3116		D0GA102JA023	RESISTOR, 1/16W, 1KΩ	27
R 26		D1BA62R0A023	RESISTOR, 1/16W, 62Ω	1
R 32		D1BA56R0A023	RESISTOR, 1/16W, 56Ω	1
R 38, 101, 171, 186, 187, 194, 204, 207, 208, 216, 229, 243, 261, 293, 294, 295, 360, 425, 437, 438, 441, 443, 448, 454, 491, 510, 511, 666, 667, 1001, 1002, 1048, 1049, 1083, 1084, 1087, 1090, 1091, 1095, 1123, 1138, 1139, 1155, 1161, 1163, 1176, 1188, 1208, 1239, 1250, 1251, 1282, 1361, 1364, 1365, 1366, 1369, 1371, 1381, 1389, 1419, 1422, 1600, 1601, 1607, 1611, 2004, 2008, 2094, 2188, 2222, 2900, 2901, 3008, 3009, 3065, 3067, 3071, 3072, 3073, 3074, 3076, 3081, 3084, 3087, 3088, 3091, 3092, 3096, 3097, 3098, 3099, 3100, 3101, 3102, 3103, 3105, 3133, 3148, 3159, 3160, 3167, 3300, 3310, 3311, 3777, 3778, 3810, 3815		D0GA103JA023	RESISTOR, 1/16W, 10KΩ	109

R 52, 165, 446, 1009, 1010, 1171, 1201, 1258, 1259		D0GA330JA023	RESISTOR, 1/16W, 33Ω	9
R 56		D1BA1400A023	RESISTOR, 1/16W, 140Ω	1
R 57		D1BA25R5A023	RESISTOR, 1/16W, 25.5Ω	1
R 58		D1BA2000A023	RESISTOR, 1/16W, 200Ω	1
R 64		D1BA4991A023	RESISTOR, 1/16W, 4.99KΩ	1
R 73, 74		D1BA24R9A023	RESISTOR, 1/16W, 24.9Ω	2
R 121		D1BA3900A023	RESISTOR, 1/16W, 390Ω	1
R 124, 137, 142, 196, 199, 235, 418, 1125, 1160, 1168, 1180, 1203, 1217, 1220, 1221, 1235, 1262, 1263, 1264, 1266, 1267, 1268, 1269, 1276, 1290, 1327, 1328, 1333, 1343, 1344, 1345, 1346, 1357, 1362, 1363, 1426, 2075, 2076, 2123, 2131, 2132, 2139, 2158, 2160, 2164, 2168, 2194, 2195, 2196, 2224, 2926, 3001, 3002, 3095, 3106, 3110, 3111, 3169, 3812, 3840, 3841, 3843, 3861		D0GA104JA023	RESISTOR, 1/16W, 100KΩ	63
R 126, 127, 128, 1111		D0GA220JA023	RESISTOR, 1/16W, 22Ω	4
R 129		D1BA22R6A023	RESISTOR, 1/16W, 22.6Ω	1
R 130, 144, 1052, 1053, 1054, 1305, 1373, 1376		D1HA1038A010	RESISTOR, 1/16W, 10KΩ	8
R 133, 249, 250, 251, 252, 1164, 1165, 1288, 1289, 1309, 1310, 1408, 1409, 1410, 3034		D0GA222JA023	RESISTOR, 1/16W, 2.2KΩ	15
R 136		D0GA121JA023	RESISTOR, 1/16W, 120Ω	1
R 138, 161, 242		D0GA334JA023	RESISTOR, 1/16W, 330KΩ	3
R 140, 373, 422, 1225, 1226, 1227, 1228, 1229, 1240, 1308, 2081, 2082, 2096, 2097, 2173, 2174, 2175, 2176, 2177, 2178, 2179, 2181, 3117, 3118, 3215, 3845, 3846, 3847, 3848		D0GA101JA023	RESISTOR, 1/16W, 100Ω	29
R 156		D0GA106JA023	RESISTOR, 1/16W, 10MΩ	1
R 157, 158		D0GA203JA023	RESISTOR, 1/16W, 20KΩ	2
R 159, 206, 257, 1275, 2159, 2161, 2162, 2163, 2165, 2166, 2167, 2169, 3238, 3839		D0GA105JA023	RESISTOR, 1/16W, 1MΩ	14
R 174, 230		D1H83304A042	NETWORK CHIP RESISTOR	2
R 177		D1BA37R4A023	RESISTOR, 1/16W, 37.4Ω	1
R 178, 220		D1BA49R9A023	RESISTOR, 1/16W, 49.9Ω	2
R 179, 219, 245, 246, 247, 3107, 3108, 3109		D1BA7500A023	RESISTOR, 1/16W, 750Ω	8
R 184, 185, 1055, 1056, 1098, 1118, 1119		D1H81034A042	NETWORK CHIP RESISTOR	7
R 195, 430, 488		D0GDR00J0004	RESISTOR, 1/8W, 0Ω	3
R 198		D1BA90R9A023	RESISTOR, 1/16W, 90.9Ω	1
R 205		D1H82224A042	NETWORK CHIP RESISTOR	1
R 248, 2056, 2058, 2256		D1BA1001A022	RESISTOR, 1/16W, 1KΩ	4

R 253, 2028, 3138, 3143, 3245, 3248, 3249, 3257, 3266, 3267, 3279, 3282, 3283, 3291		D1BA2371A023	RESISTOR, 1/16W, 2.37K Ω	14
R 278, 279, 331, 348, 351, 352, 355, 356, 358, 359, 2257, 3013, 3134, 3173, 3180, 3199		D1BA1001A023	RESISTOR, 1/16W, 1K Ω	16
R 421, 1039, 1077, 1154, 1158, 1202, 1280, 1427, 2053, 2115, 2197, 2912, 2916, 2917, 2922, 2923, 3842		D0GA473JA023	RESISTOR, 1/16W, 47K Ω	17
R 493, 495, 1387, 2903, 2904, 3233, 3234, 3849		D0GA472JA023	RESISTOR, 1/16W, 4.7K Ω	8
R 558, 1063, 1064		D0GA332JA023	RESISTOR, 1/16W, 3.3K Ω	3
R 561		D1BA3011A023	RESISTOR, 1/16W, 3.01K Ω	1
R 606, 652, 657, 1143, 1144, 1145, 1146, 1147, 1187, 2000, 2001, 2002, 2011, 2050, 2063, 2084, 2091, 2118, 2255, 2264, 3135, 3137, 3174, 3175, 3183, 3184, 3204, 3210		D0GBR00J0004	RESISTOR, 1/10W, 0 Ω	28
R 1003, 1004, 1005, 1006, 1007, 1008, 2193, 2914		D0GA3R3JA023	RESISTOR, 1/16W, 2K Ω	8
R 1022		D1H87504A042	NETWORK CHIP RESISTOR	1
R 1038		D1H85604A042	NETWORK CHIP RESISTOR	1
R 1043, 1044, 2248, 3205, 3241		D1BA5101A023	RESISTOR, 1/16W, 5.1K Ω	5
R 1045, 1212		D0GA331JA023	RESISTOR, 1/16W, 330 Ω	2
R 1099, 1121, 1236		D1H84734A042	NETWORK CHIP RESISTOR	3
R 1107, 1205, 1232, 1238, 1273, 1287, 2116		D0GA474JA023	RESISTOR, 1/16W, 470K Ω	7
R 1130, 1414, 2108, 2120, 2140, 2199, 2253, 3188, 3191, 3196		D1BA1002A022	RESISTOR, 1/16W, 10K Ω	10
R 1131, 1132, 1133, 1233		D1BA3901A023	RESISTOR, 1/16W, 3.9K Ω	4
R 1135		D1BA43R0A023	RESISOTR, 1/16W, 43 Ω	1
R 1136, 3295		D1BA5602A023	RESISOTR, 1/16W, 56K Ω	2
R 1166, 1182, 1380, 2113, 2137, 3209		D1BA2002A022	RESISTOR, 1/16W, 20K Ω	6
R 1170		D1BA3922A022	RESISTOR, 1/16W, 39.2K Ω	1
R 1174		D0GA333JA023	RESISTOR, 1/16W, 33K Ω	1
R 1207		D1JB4M00A016	RESISTOR, 1W, 4m Ω	1
R 1213, 1214, 2142, 2149, 2270, 3155, 3156, 3189, 3190		D1BA1202A022	RESISTOR, 1/16W, 12K Ω	9
R 1215, 1216		D1BA1003A053	RESISTOR, 1/16W, 100K Ω	2
R 1218		D1H81014A042	RESISTOR ARRAY	1
R 1223, 1224		ERA3YKB154V	RESISTOR, 1/16W, 150K Ω	2
R 1230, 1245, 1246, 1248, 1272, 1307, 2100		D0GA221JA023	RESISTOR, 1/16W, 220 Ω	7
R 1234, 2911		D1BA4702A022	RESISTOR, 1/16W, 47K Ω	2
R 1237		D1H81024A042	RESISTOR ARRAY	1
R 1243, 1244		D1H82214A042	NETWORK CHIP RESISTOR	2
R 1247, 1320		D0GA181JA023	RESISTOR, 1/16W, 180 Ω	2
R 1249, 1283		D0GA471JA023	RESISTOR, 1/16W, 470 Ω	2

R 1332		D1H81044A042	NETWORK CHIP RESISTOR	1
R 1348, 2187		D0GA223JA023	RESISTOR, 1/16W, 22K Ω	2
R 1423, 1424, 1606, 3024		D0GA100JA023	RESISTOR, 1/16W, 10 Ω	4
R 2005, 2009, 2014, 3211		D1JB1M00A036	RESISTOR, 1W, 1m Ω	4
R 2006, 2010		D0GA1R0JA023	RESISTOR, 1/16W, 1.0 Ω	2
R 2012, 2269		D1BA1201A023	RESISTOR, 1/16W, 1.2K Ω	2
R 2013, 2020, 3296		D1BA2742A023	RESISTOR, 1/16W, 27.3K Ω	3
R 2016, 2021		D1BA3831A023	RESISTOR, 1/16W, 3.83K Ω	2
R 2022, 2300		D1BA1503A022	RESISTOR, 1/16W, 150K Ω	2
R 2025, 2030		D0GA202JA023	RESISTOR, 1/16W, 2K Ω	2
R 2026, 2040, 2117, 2122, 2138, 2144		D1BA8061A023	RESISTOR, 1/16W, 8.06K Ω	6
R 2027, 2073, 2086, 2098, 2301, 2324, 2906, 2907, 3297		D1BA1003A022	RESISTOR, 1/16W, 100K Ω	9
R 2029, 2127, 2135, 3054, 3055, 3242, 3254, 3276, 3288		D1BA1200A023	RESISTOR, 1/16W, 120 Ω	9
R 2037		D1BA54R9A023	RESISTOR, 1/16W, 54.9 Ω	1
R 2038		D1BA2741A023	RESISTOR, 1/16W, 2.74K Ω	1
R 2039, 3058, 3059, 3060, 3170, 3172		D1BA1500A023	RESISTOR, 1/16W, 150 Ω	6
R 2045		D1BA1581A023	RESISTOR, 1/16W, 1.58 Ω	1
R 2046		D0GB101JA065	RESISTOR, 1/10W, 100 Ω	1
R 2047, 3015, 3016, 3017, 3018		D1BA1000A023	RESISTOR, 1/16W, 100 Ω	5
R 2048, 3000		D1BA1691A023	RESISTOR, 1/16W, 1.69K Ω	2
R 2049, 2260, 3104, 3157, 3181, 3208		D0GB1R0JA065	RESISTOR, 1/10W, 1 Ω	6
R 2054, 2060		D1BA1302A023	RESISTOR, 1/16W, 13K Ω	2
R 2055, 2062, 3171		D1BA1101A022	RESISTOR, 1/16W, 1.1K Ω	3
R 2064, 2065, 2066, 2110, 2145, 3149, 3150, 3176, 3177, 3185, 3186		D1BDR033A111	RESISTOR, 1/3W, 0.033 Ω	11
R 2070, 2071		D1BDR018A111	RESISTOR, 1/3W, 0.011 Ω	2
R 2074, 2099, 2102, 2205, 2908, 2909, 3203		D1BA3302A023	RESISTOR, 1/16W, 33K Ω	7
R 2077, 2079		D0GA393JA023	RESISTOR, 1/16W, 39K Ω	2
R 2078, 2093		D1BA5103A022	RESISTOR, 1/16W, 510K Ω	2
R 2080, 2103, 2109, 2254, 3214		D1BA2202A022	RESISTOR, 1/16W, 22K Ω	5
R 2087, 2121		D0GB100JA065	RESISTOR, 1/10W, 10 Ω	2
R 2090		D0GB102JA065	RESISTOR, 1/10W, 1K Ω	1
R 2104, 3113, 3114, 3213		D1BA4990A023	RESISTOR, 1/16W, 499 Ω	4
R 2105, 2106, 2107, 2111, 2146, 2147, 2148, 2265, 2268, 3187		D1BDR022A111	RESISTOR, 1/3W, 0.022 Ω	10
R 2114, 2143, 2172		D1BA2402A022	RESISTOR, 1/16W, 24K Ω	3
R 2125, 2151, 2235, 2910		D1BA1502A022	RESISTOR, 1/16W, 15K Ω	4
R 2129, 2133, 3128		D0GB2R2JA065	RESISTOR, 1/10W, 0 Ω	3
R 2130, 2134		D0GA243JA023	RESISTOR, 1/16W, 24K Ω	2
R 2141, 2263		D1BA3002A022	RESISTOR, 1/16W, 30K Ω	2
R 2152		D0GA123JA023	RESISTOR, 1/16W, 12K Ω	1
R 2171		D1BA1802A023	RESISTOR, 1/16W, 18K Ω	1
R 2182		D0GA684JA023	RESISTOR, 1/16W, 680 Ω	1
R 2183, 2184		D0GD222JA052	RESISTOR, 1/8W, 2.2K Ω	2
R 2185, 2186		D0GD122JA052	RESISTOR, 1/8W, 1.2K Ω	2

R 2191, 2192, 2200, 2201, 2206, 2207, 2208, 2209, 2210, 2211, 2212, 2213, 2214, 2215, 2216, 2217, 2218, 2219, 2220, 2221	D0GB182JA079	RESISTOR, 1/5W, 1.8KΩ	20
R 2198, 3182, 3501	D1BA2001A023	RESISTOR, 1/16W, 2KΩ	3
R 2203	D1JB5M00A029	CHIP RESISTOR	1
R 2223	D0GA562JA023	RESISTOR, 1/16W, 5.6KΩ	1
R 2225	D0GB103JA065	RESISTOR, 1/10W, 10KΩ	1
R 2226, 2247	D1BA1203A022	RESISTOR, 1/16W, 120KΩ	2
R 2227	D1BA1432A022	RESISTOR, 1/16W, 14.3KΩ	1
R 2228, 2229, 2230	D1BDR047A111	RESISTOR, 1/3W, 0.047Ω	3
R 2231	D1BA3652A022	RESISTOR, 1/16W, 36.5KΩ	1
R 2232	D1BA4701A022	RESISTOR, 1/16W, 4.7KΩ	1
R 2233	D1BA1802A053	RESISTOR, 1/16W, 18KΩ	1
R 2234	D1BA6041A023	RESISTOR, 1/16W, 6.04KΩ	1
R 2236	D1BA6800A022	RESISTOR, 1/16W, 680Ω	1
R 2238, 2239, 2240	D1BDR075A111	RESISTOR, 1/3W, 0.075Ω	3
R 2242	D1BDR470A103	RESISTOR, 1/4W, 0.47Ω	1
R 2243	D1BB1623A075	RESISTOR, 1/10W, 162KΩ	1
R 2244, 2245, 2250	D1BA3001A022	RESISTOR, 1/16W, 3KΩ	3
R 2246	D1BA4302A022	RESISTOR, 1/16W, 43KΩ	1
R 2258, 3206	D1BA2702A022	RESISTOR, 1/16W, 27KΩ	2
R 2259	D1BA2403A022	RESISTOR, 1/16W, 240KΩ	1
R 2261, 2262, 2266	D0GB201JA065	RESISTOR, 1/16W, 200Ω	3
R 2902, 2905, 2924, 2925	D0GA564JA023	RESISTOR, 1/16W, 560KΩ	4
R 2918, 2920	D0GA224JA023	RESISTOR, 1/16W, 220KΩ	2
R 3019, 3020, 3021, 3022	D1BA40R2A023	RESISTOR, 1/16W, 40.2Ω	4
R 3119	D1BA2490A023	RESISTOR, 1/16W, 249Ω	1
R 3136, 3139, 3140, 3141, 3142, 3145, 3146, 3147	D1BA60R4A023	RESISTOR, 1/16W, 60.4Ω	8
R 3144, 3154, 3246, 3250, 3253, 3259, 3268, 3275, 3280, 3284, 3287, 3292	D1BA5491A023	RESISTOR, 1/16W, 5.49KΩ	12
R 3195, 3202	D1BA4321A023	RESISTOR, 1/16W, 3.83KΩ	2
R 3207, 3294	D1BA2003A022	RESISTOR, 1/16W, 200KΩ	2
R 3236	D0GA152JA023	RESISTOR, 1/16W, 1.5KΩ	1
R 3500	D1BA8451A023	RESISTOR, 1/16W, 8.45KΩ	1
R 3503, 3505, 3507	D1BA4751A023	RESISTOR, 1/16W, 4.75KΩ	3
T 1000, 1001	G5BYC0000015	TRANCE	2
X 2, 1002	H0J327200085	CRYSTAL OSCILLATOR	2
X 3, 7	H0J2505A0053	CRYSTAL OSCILLATOR	2
X 1001	H0J245500096	CRYSTAL OSCILLATOR	1
X 3000	H0J270500128	CRYSTAL OSCILLATOR	1
ZA 1, 2	K1YGZZ000082	STUD	2
ZA 3, 4	K1YGZZ000088	PARTS FOR CONNECTOR AND ACCESSORY	2
ZA 704, 705	K1YGZZ000078	MINI PCI EXPRESS STUD BOS	2
WWAN-RFSW PCB			
C 304	F1J1A106A043	CAPACITOR, 10V, 10μF	1
C 305, 306, 308, 512, 517, 518, 554	F1G1C104A048	CAPACITOR, 16V, 0.1μF	7
C 307	F1G1H1010005	CAPACITOR, 50V, 100pF	1
C 500, 501, 505, 519, 520, 536, 537, 553	F1G1H270A542	CAPACITOR, 50V, 27pF	8
C 502, 509	F1G1H100A544	CAPACITOR, 50V, 10pF	2
C 503, 504, 510, 511, 522, 523, 528, 529, 551, 552	F1G1H102A496	CAPACITOR, 50V, 1000pF	10
C 513, 514	F1G0J105A035	CAPACITOR, 6.3V, 1μF	2

C 527, 530, 531, 540, 548, 549		F1G1H560A542	CAPACITOR, 50V, 56pF	6
C 556		F1G1E103A062	CAPACITOR, 25V, 0.01μF	1
CN 301		K1MY40BA0431	CONNECTER	1
CN 302		K1MY52B00004	WLAN MODULE MINI PCI EXPRESS CONNECTOR	1
CN 303		K1NA08E00013	SIM CONNECTOR	1
CN 304		K1MN10BA0059	CONNECTOR	1
IC 514, 515, 516		C0JBAB000832	IC, LOGIC	3
IC 517, 518, 520, 523		C1CB00003592	SPDT SWITCH	4
IC 519		C1CB00002845	SPDT SWITCH	1
IC 522		C1CB00002842	SPDT SWITCH	1
JK 305, 306, 307, 500, 501, 502, 503, 504, 505, 508, 509, 510, 511		K1QZA1AE0001	CONNECTOR	13
L 500		G1C27NJA0024	CHIP INDUCTOR	1
PA 500	⚠	D4FBR2000003	POLY SWITCH	1
Q 500		B1GBCFNN0042	TRANSISTOR	1
Q 501		B1CHRC000029	FET	1
R 301, 303, 304		D0GAR00J0005	RESISTOR, 1/16W, 0Ω	3
R 305, 308, 309, 507		D0GA103JA023	RESISTOR, 1/16W, 10KΩ	4
R 306, 307, 310		D0GA101JA023	RESISTOR, 1/16W, 100Ω	3
R 500, 501, 502, 503, 505, 506		D0GA104JA023	RESISTOR, 1/16W, 100KΩ	6
R 504		D0GA564JA023	RESISTOR, 1/16W, 560KΩ	1
ZA 300, 301		K1YGZZ000078	MINI PCI EXPRESS STUD BOS	2
USB3 PCB				
C 800, 813, 814		F1G1C104A048	CAPACITOR, 16V, 0.1μF	3
C 801, 802, 803, 812		EEFCX0J121R	CAPACITOR, 6.3V, 120μF	4
CN 800		K1MY50BA0431	FPC CN	1
CN 801, 802, 803		K1FY104BA024	CONNECTOR, USB	3
CN 804		K1FY109A0015	USB3.0	1
D 800, 801, 802		B0ZBZ0000169	ESD PROTECTOR	3
L 800, 801, 802, 806		J0MAB0000236	CHIP COMMON MODE CHALK COIL	4
L 803, 804, 805, 809		J0JHC0000115	CHIP FERRITE BEADS	4
L 807, 808		EXC24CH500U	USB3.0用EMI FILTER	2
KBD PCB				
CN 200		K1MY40BA0431	CONNECTER	1
CN 201		K1MY13BA0102	CONNECTOR	1
CN 202		K1MY16BA0097	CONNECTOR	1
CN 203		K1MY07BA0096	CONNECTOR	1
SW LED PCB				
C 600		F1G0J105A035	CAPACITOR, 6.3V, 1μF	1
CN 600		K1MN10BA0059	CONNECTOR	1
D 600		B3ADB0000133	DIODE	1
D 601		B3AGB0000059	LED	1
D 602		B3ABB0000356	LED	1
IC 600		B4ZZ00000027	SENSOR	1
R 601		D0GA471JA023	RESISTOR, 1/16W, 470Ω	1
SW 600		EVQPLDA15	SWITCH	1
EXT ANTENNA D PCB				
CN 5		K1QZB2AA0003	CONNECTOR	1
JK 6, 8		K1QZA1AE0001	CONNECTOR	2
DUMMY PCB				
JK 901, 903		K1QZA1AE0001	CONNECTOR	2
IOSUB PCB				
C 700, 702, 718, 719, 721, 722, 723, 738, 739, 747, 754, 760, 770		F1G1C104A048	CAPACITOR, 16V, 0.1μF	13

C 701		F1H1H104A748	CAPACITOR, 50V, 0.1µF	1
C 703, 704, 705, 706, 707, 708, 709, 710, 741, 742		F1G1H1010005	CAPACITOR, 50V, 100pF	10
C 712, 715		F1G1H330A542	CAPACITOR, 50V, 33pF	2
C 736, 737		F1G1H102A496	CAPACITOR, 50V, 1000pF	2
C 740		F1G0J105A035	CAPACITOR, 6.3V, 1µF	1
CN 700		K1MY60BA0371	CONNECTOR	1
CN 701		K1MY40BA0371	CONNECTOR	1
CN 702		K1FA209BA004	CONNECTOR	1
CN 703		K1FB115BA014	CONNECTOR	1
CN 705		K1FY180BA001	CONNECTOR	1
F 701	⚠	K5H123Y00001	FUSE, 12A, 65V	1
FL 703, 704, 705		J0HAAC000059	FILTER	3
IC 701		C0JBAR000565	VIDEO SWITCH	1
IC 702		C0JBAU000031	LOGIC IC	1
IC 703		C0JBAA000362	IC, LOGIC	1
JK 700, 701		K2HC103B0197	JACK	2
L 700, 701, 702, 703, 704, 705, 706, 707		J0JBC0000033	INDUCTOR	8
L 708, 709, 710, 724, 730		J0MAB0000236	CHIP COMMON MODE CHALK COIL	5
L 711, 712		J0JCC0000186	INDUCTOR	2
L 713, 714, 721, 722, 723		J0JCC0000078	INDUCTOR	5
L 715, 716, 717, 718, 719		J0JCC0000077	INDUCTOR	5
L 720		J0JHC0000032	INDUCTOR	1
L 725, 726, 727, 728, 729		J0ZZB0000130	FILTER	5
PA 700		D4FB1R10A023	POLY SWITCH	1
Q 701, 702, 703		B1CFGD000023	TRANSISTOR	3
R 700, 701, 702, 741, 742, 743		D1BA75R0A023	RESISTOR, 1/16W, 75.0Ω	6
R 704		EZJP0V080KA	VARISTOR	1
R 706, 719		D0GA472JA023	RESISTOR, 1/16W, 4.7KΩ	2
R 710, 711		D0GA103JA023	RESISTOR, 1/16W, 10KΩ	2
R 716		D0GA101JA023	RESISTOR, 1/16W, 100Ω	1
R 717, 718		D0GA221JA023	RESISTOR, 1/16W, 220Ω	2
R 720, 721		D0GBR00J0004	RESISTOR, 1/10W, 0Ω	2
R 730, 731		D0GAR00J0005	RESISTOR, 1/16W, 0Ω	2
R 744		D0GA102JA023	RESISTOR, 1/16W, 1KΩ	1
R 745		D0GA104JA023	RESISTOR, 1/16W, 100KΩ	1
PAD PCB				
CN 400		K1MY16BA0430	CONNECTER	1
CN 401		K1MY04BA0334	CONNECTOR	1
CN 402		K1MN10BA0059	CONNECTOR	1
R 401		D0GA471JA023	RESISTOR, 1/16W, 470Ω	1
SW 400, 401		EVQPLDA15	SWITCH	2
SD WOFF-SW PCB				
C 600, 601, 605, 607, 609, 610, 615		F1G1C104A048	CAPACITOR, 16V, 0.1µF	7
C 602, 606		F1H0J475A010	CAPACITOR, 6.3V, 4.7µF	2
C 604, 613		F1H0J106A043	CAPACITOR, 6.3V, 10µF	2
C 608		F1G0J105A035	CAPACITOR, 6.3V, 1µF	1
CN 600		K1MY16BA0430	CONNECTER	1
CN 601		K1NA09E00076	CONNECTOR	1
IC 600		C1CB00003782	SD CARD READER	1
R 600, 602, 605, 606, 607, 608		D0GA330JA023	RESISTOR, 1/16W, 33Ω	6
R 601		D0GA471JA023	RESISTOR, 1/16W, 470Ω	1
R 603		D1BA6201A023	RESISTOR, 1/16W, 6.2KΩ	1

SW 600		K0D112B00071	SW	1
TS PCB				
C 900, 903, 908, 911, 921		F1H1A225A025	CAPACITOR, 10V, 2.2 μ F	5
C 902, 904, 907, 910, 915		F1G1C104A048	CAPACITOR, 16V, 0.1 μ F	5
C 905, 917, 918, 919, 920		F1G1E472A062	CAPACITOR, 25V, 4700pF	5
C 906, 909		F1G1H100A544	CAPACITOR, 50V, 10pF	2
C 912, 913, 914, 916		F1G1H681A496	CAPACITOR, 50V, 680pF	4
CN 900		K1MN04BA0071	CONNECTER	1
CN 901		K1KA12BA0099	CONNECTOR	1
CN 902		K1KA07AA0266	CONNECTOR	1
D 902		B0BD5R6A0005	DIODE	1
IC 900		C0EBY0001095	IC	1
IC 901		C1CB00003657	IC	1
Q 900		B1CFGD000023	TRANSISTOR	1
R 901, 919, 920, 924		D0GA331JA023	RESISTOR, 1/16W, 330 Ω	4
R 903, 908, 910, 923, 927, 930, 932, 940, 941, 942, 943		D0GA102JA023	RESISTOR, 1/16W, 1K Ω	11
R 905, 914, 916, 922		D0GA473JA023	RESISTOR, 1/16W, 47K Ω	4
R 911		D0GA152JA023	RESISTOR, 1/16W, 1.5K Ω	1
R 912, 913		D0GA270JA023	RESISTOR, 1/16W, 27 Ω	2
R 918		D0GA104JA023	RESISTOR, 1/16W, 100K Ω	1
R 921, 928, 939		D0GAR00J0005	RESISTOR, 1/16W, 0 Ω	3
R 925, 933		D0GA223JA023	RESISTOR, 1/16W, 22K Ω	2
R 935, 936, 937, 938		D0GA822JA023	RESISTOR, 1/16W, 8.2K Ω	4
R 946		D0GA472JA023	RESISTOR, 1/16W, 4.7K Ω	1
X 900		H2D1205A0010	CERAMIC OSCILLATOR	1