



PYRAMID[®]

Gold Series

REGULATED POWER SUPPLY

MODEL NO. PS-7G

**do-it
yourselfer**



LIST
89.95



PYRAMID[®]

Gold Series

REGULATED DC POWER SUPPLY

MODEL: PS-3G/4G/7G.

INSTRUCTION MANUAL

GENERAL SPECIFICATION	PAGE 2.
SCHEMATIC & PART LIST	PAGE 3.
OPERATION MANUAL & CAUTION	PAGE 4.

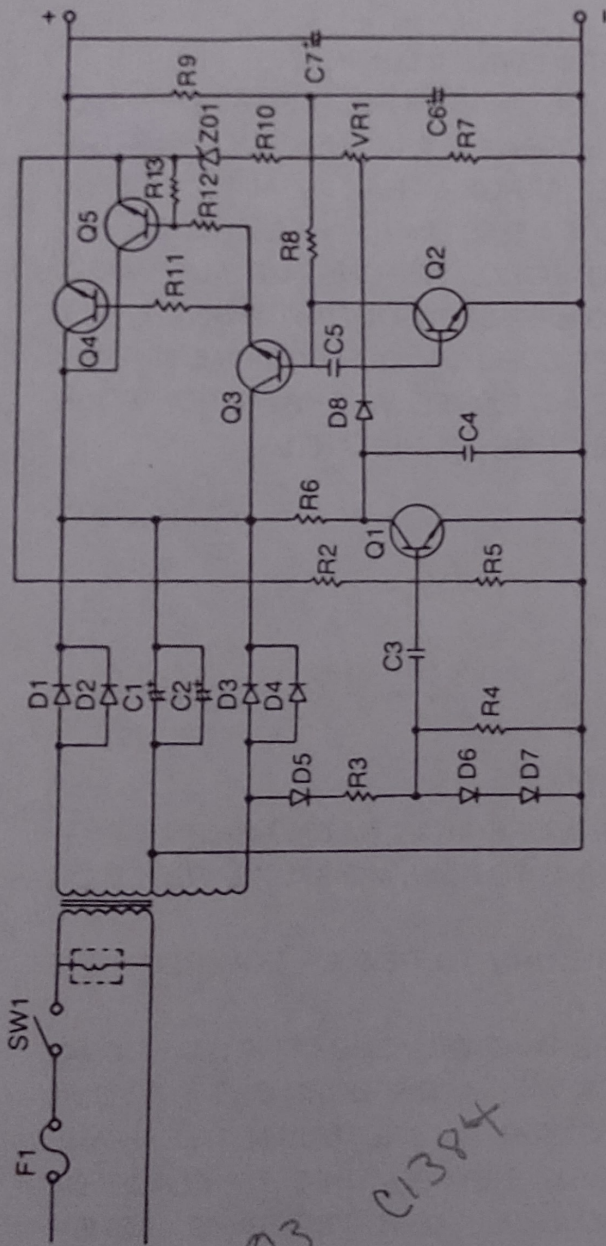
GENERAL SPECIFICATIONS.

ELECTRICAL:

MODEL NO.:	PS-3G	PS-4G	PS-7G
(A-1) INPUT RATING.			
INPUT VOLTAGE: 105-130VAC(115V NOMINAL).	YES	YES	YES
INPUT LINE FREQUENCY: 60Hz.	YES	YES	YES
INPUT POWER: MAX.	50W	70W	100W
(A-2) OUTPUT RATING.			
OUTPUT VOLTAGE: 13.8VDC \pm 0.3V	YES	YES	YES
OUTPUT CURRENT: CONT./MAX.	2.5/3.0A	3.5/4.0A	5.0/7.0A
OUTPUT RIPPLE: 100mV RMS MAX. (SEE *NOTE*)	YES	YES	YES
(A-3) REGULATION.			
LOAD REGULATION: 2.5%(280mV P-P)MAX.	*YES*	*YES*	*YES*
(A-4) PROTECTION.			
INPUT LINE PROTECTION: GLASS TUBE FUSE. .75A/250V 1.0A/250V 1.5A/250V			
OVER-LOAD PROTECTION: + 10% (AUTO RESET)	3.0A	4.0A	7.0A
(A-5) EFFICIENCY: 55% MIN. (SEE *NOTE*)	*YES*	*YES*	*YES*
(A-6) DESIGN: LINEAR TYPE.			
(A-7) OPERATING TEMPERATURE: 0 TO +40 DEG C.			
(A-8) STORAGE TEMPERATURE: -25 TO +70 DEG C.			
NOTE: INPUT AT 115VAC AND OUTPUT AT CONT. CURRENT.			

MECHANICAL:

(B-1) DIMENSIONS: 190mm x 115mm x 70mm. (L x W x H)			
(B-2) WEIGHT: KGS.	1.4KGS	1.7KGS	2.2KGS
(B-3) ENCLOSURE: METAL / BLUE.	YES	YES	YES
(B-4) INPUT CABLE: 18AWG x 2C W/1-15P PLUG.	SPT-1 6FT	SPT-1 6FT	SPT-2 6FT
(B-5) OUTPUT TERMINAL: BINDING POST, 10A/125V	YES	YES	YES
(B-6) POWER SWITCH: ILLUMINATED, 16A/125VAC.	YES	YES	YES



• PART LIST FOR : PS-3G / PS-4G / PS-7G •

F1	61NM-250V	: 0.75A / 1.00A / 1.50A
SW1	16A-125V	: YES / YES / YES
D1	1N5400.3A	: - / - / YES
D2	1N5400.3A	: YES / YES / YES
D3	1N5400.3A	: - / - / YES
D4	1N5400.3A	: YES / YES / YES
D5	1N4148	: YES / YES / YES
D6	1N4148	: YES / YES / YES
D7	1N4148	: YES / YES / YES
D8	1N4148	: YES / YES / YES
ZD1	1N5242.12V	: YES / YES / YES
Q1	H9014C.NPN	: YES / YES / YES
Q2	H9014C.NPN	: YES / YES / YES
Q3	H9014C.NPN	: YES / YES / YES
Q4	TRANSISTOR : TIP41C / MJE3055 / TIP41C	
Q5	TRANSISTOR :	- / - / TIP41C
C1	EC 25V	: - / - / 2200U
C2	EC 25V	: 3300U / 4700U / 3300U
C3	PE 104/50V	: YES / YES / YES
C4	PE 223/50V	: YES / YES / YES
C5	CM 102/50V	: YES / YES / YES
C6	EC 10U/25V	: YES / YES / YES
C7	EC 25V	: 47U / 68U / 100U
R2	CF 27K 5%	: YES / YES / YES
R3	CF 1 K 5%	: YES / YES / YES
R4	CF 27K 5%	: YES / YES / YES
R5	CF 5.1K 5%	: YES / YES / YES
R6	CF 5.1K 5%	: YES / YES / YES
R7	CF 270 5%	: YES / YES / YES
R8	CF 5%	: 5.1K / 5.1K / 2.2K
R9	CF 1 K 5%	: YES / YES / YES
R10	CF 510 5%	: YES / YES / YES
R11	CF 1.0 5%	: YES / YES / YES
R12	CF 1.0 5%	: YES / YES / YES
R13	CF 100 5%	: YES / YES / -
VR1	VR 200 20%	: YES / YES / YES

OPERATION:

1. INSERT AC POWER PLUG INTO A 110V VOLT AC OUTLET.
2. CONNECT THE POWER CORD OF YOUR EQUIPMENT (13.5V — 14.1VDC) TO THE OUTPUT BINDING POST TERMINALS ON THE FRONT OF THE UNIT. BE SURE THAT POLARITY IS CORRECT. THE RED POSITIVE (+) TERMINAL AND BLACK NEGATIVE (-) TERMINAL ARE MARKED, REVERSAL OF POLARITY MAY DAMAGE YOUR EQUIPMENT.
3. TURN SWITCH TO "ON", RED LIGHT IN SWITCH WILL ILLUMINATE.
4. THE INPUT POWER IS PROTECTED BY THE FUSE WHICH IS LOCATED AT THE REAR OF THE UNIT AND CAN BE REPLACED BY UNSCREWING THE FUSE HOLDER IF THE FUSE IS BURNT OUT. DO NOT USE A FUSE LARGER THAN ** AMPS. USE OF HEAVIER FUSE MAY RESULT IN DAMAGING TO THIS UNIT. (** SEE NOTE).
5. THIS UNIT HAS ELECTRONIC OVERLOAD PROTECTION WITH INSTANT AUTOMATIC RESET FUNCTION. IF OUTPUT IS OVERLOADED. THE OUTPUT POWER WILL AUTOMATICALLY SHUT OFF. RELEASE POWER CORD OF YOUR EQUIPMENT FROM THE OUTPUT TERMINALS AND CHECK THE ACTUAL POWER RATING OF YOUR EQUIPMENT. THIS UNIT WILL AUTOMATICALLY RESET INSTANTLY.

- ** NOTE PS-3G: 0.75 AMP.
PS-4G: 1.00 AMP.
PS-7G: 1.50 AMP.

CAUTIONS:

1. DO NOT USE WITH EQUIPMENT REQUIRING MORE THAN RATING AMPS.
2. DO NOT USE OUTDOORS. DO NOT EXPOSE UNIT TO RAIN, MOISTURE, WATER OR ANY OTHER LIQUIDS.
3. DO NOT REMOVE COVER IN ANY CASE. RETURN TO DEALER FOR REPAIR IF DAMAGED.
4. THIS UNIT HAS A SPECIAL BUILT-IN FEATURE THAT WILL SHUT THE UNIT DOWN IF MARKED AMPERAGE IS EXCEEDED. THIS WILL AVOID BURN-OUT OF YOUR EQUIPMENT AND OF UNIT. IF UNIT DOES CONSISTANTLY SHUTDOWN. THIS MEANS YOU ARE DRAWING TOO MUCH AMPERAGE. RETURN UNIT TO PLACE OF PURCHASE AND UPGRADE TO NEXT AVAILABLE UNIT OFFERING HIGHER AMPERAGE. PLEASE DO NOT BYPASS OR ALTER THIS CIRCUIT AS IT IS THERE TO PROTECT YOU. ANY ALTERATION OR MISUSE WILL VOID YOUR WARRANTY.

"DANGER"

HIGH VOLTAGE

REFER TO QUALIFIED TECHNICIAN FOR SERVICE.