



Programming Cable RKN4081



Professional Radio

ACCESSORIES

GENERAL INFORMATION

The RKN4081 Programming Cable provides the interface between a computer and a mobile Professional Radio when the radio is to be programmed. An adapter is supplied which converts the DB25 to a DB9 connector for interfacing to a computer with DB9 ports.

Note: The Programming Cable does **not** require a Radio Interface Box (RIB), e.g., RLN4008.

OPERATION

The radio's basic service manual includes programming procedures. Refer to the relevant procedures for the radio being programmed and connect the radio to the computer as directed.



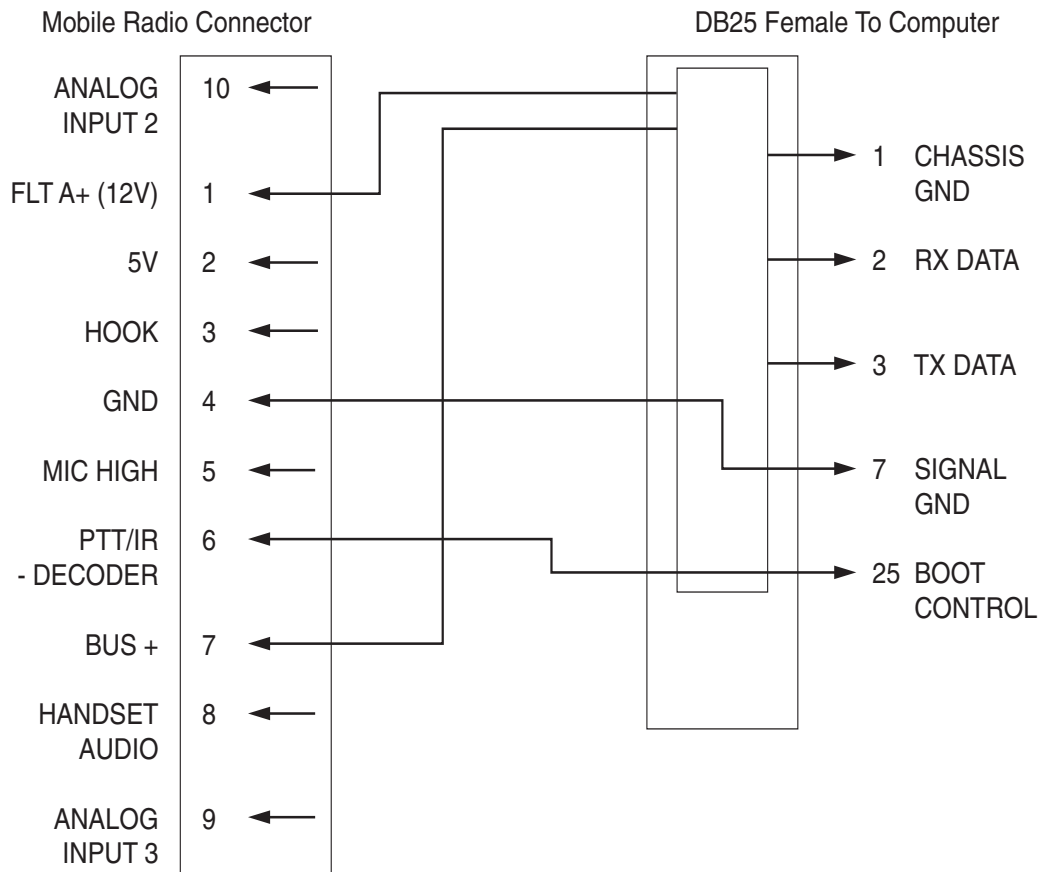
Caution

Do not disconnect the cable in the middle of a procedure. This may leave the radio incorrectly configured and degrade the radio performance.

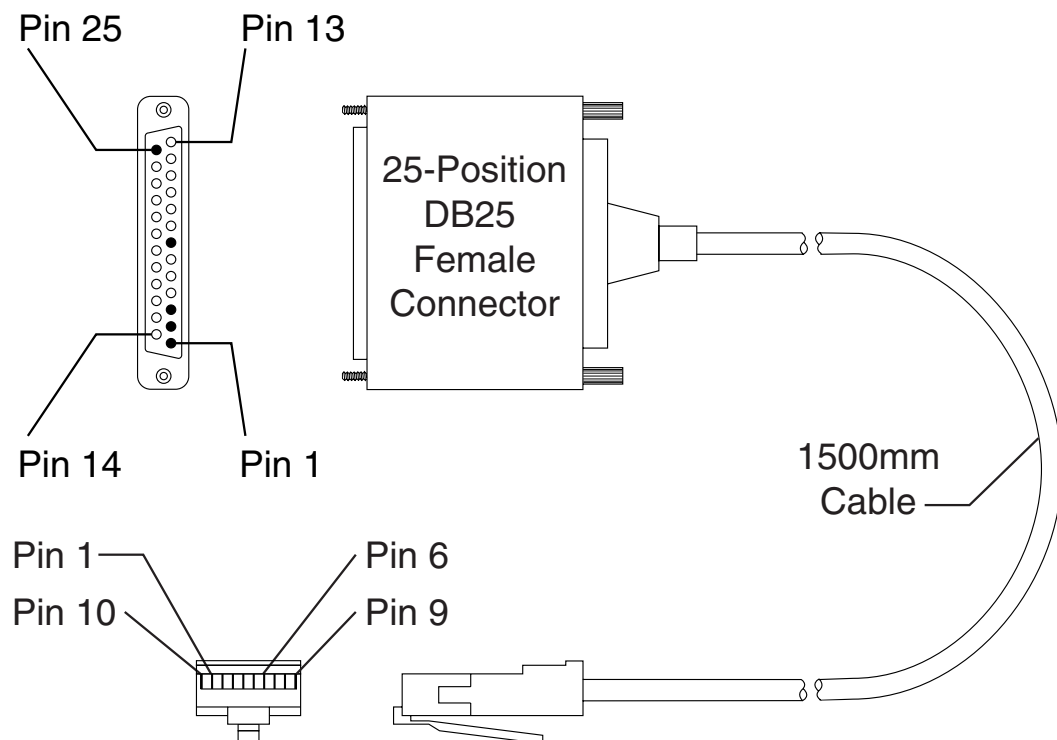
SERVICE

The RKN4081 Programming Cable is not repairable. Order a replacement cable as necessary.

SCHEMATIC DIAGRAM



CONNECTOR DETAIL



© 1999 by Motorola, Inc.
8000 W. Sunrise Blvd., Ft. Lauderdale, FL 33322

Ⓜ, Motorola, and Professional Radio
are trademarks of Motorola, Inc.
All Rights Reserved



68P81092C60-O