

MULTI-FUNCTION MICROPHONE WITH DTMF

MC-57DM/58DM

SERVICE MANUAL

KENWOOD

© 2002-2 PRINTED IN JAPAN
B51-8625-00 (S) 789



MC-57DM



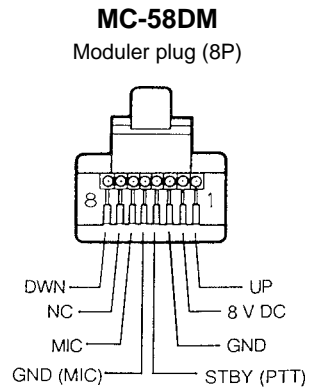
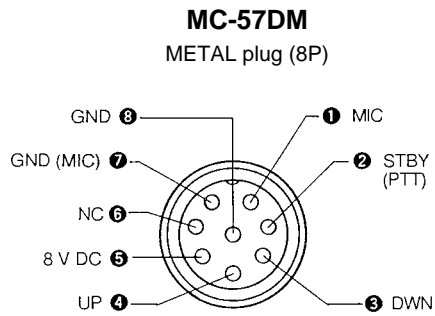
MC-58DM

SPECIFICATIONS

Type	Electret capacitor
Power requirement	8.0 V DC $\pm 10\%$
Current drain	35 mA or less
Dimensions (WxHxD)	65 x 90 x 30 mm 2 9/16 x 3 17/32 x 1 3/16 inches
Weight	Approx. 180 g/ 6.3 oz
Sensitivity	-52 ± 3 dB (at 1 kHz) (0 dB = 1 V/Pa)

MC-57DM/58DM

CONNECTOR END VIEW



ADJUSTMENT

Item	Condition	Test equipment/Measurement	Adjustment	Specifications/Remarks
DTMF output level	[3] [6] key at same time push	<p>MC-57DM</p> <p>MC-58DM</p>	VR1	2.4mV ±0.01mV

* When you change the R10 from 820Ω to 1.8kΩ, the microphone sensitivity increases approximately 6dB.

MC-57DM/58DM

PARTS LIST

MC-57DM/58DM (Y58-3490-21/Y58-3500-21)

* New Parts.

Ref. No.	Address	New parts	Parts No.	Description	Destination
		*	A02-3760-08	CABINET(FRONT)	
		*	A02-3761-08	CABINET(REAR)	
		*	B62-1660-00	INSTRUCTION MANUAL	
			E30-3243-08	CURL CABLE(8P METAL)	57DM
			E30-3240-08	CURL CABLE(8P MODULER)	58DM
			J29-0630-08	HOOK	
		*	K29-9225-08	KNOB ASSY(PTT)	
			K29-5102-08	KNOB(UP,DOWN)	
		*	K29-5439-08	KEY TOP(20KEY)	
			K29-5104-08	KNOB(LOCK)	
			N53-3020-41	FLAT HEAD TAPPING SCREW(HOOK)	
SW3,4			S40-1117-05	TACT SWITCH(UP,DOWN)	
SW2			S62-0441-08	SLIDE SWITCH(LOCK)	
SW1			S70-0465-08	TACT SWITCH(PTT)	
			T91-0570-08	MIC ELEMENT	

KENWOOD CORPORATION

14-6, Dogenzaka 1-chome, Shibuya-ku, Tokyo 150-8501, Japan

KENWOOD SERVICE CORPORATION

P.O. BOX 22745, 2201 East Dominguez Street, Long Beach, CA 90801-5745, U.S.A.

KENWOOD ELECTRONICS CANADA INC.

6070 Kestrel Road, Mississauga, Ontario, Canada L5T 1S8

KENWOOD ELECTRONICS DEUTSCHLAND GMBH

Rembrücker Str. 15, 63150 Heusenstamm, Germany

KENWOOD ELECTRONICS BELGIUM N.V.

Leuvensesteenweg 248 J, 1800 Vilvoorde, Belgium

KENWOOD ELECTRONICS FRANCE S.A.

13, Boulevard Ney, 75018 Paris, France

KENWOOD ELECTRONICS U.K. LIMITED

KENWOOD House, Dwight Road, Watford, Herts., WD1 8EB United Kingdom

KENWOOD ELECTRONICS EUROPE B.V.

Amsterdamseweg 37, 1422 AC Uithoorn, The Netherlands

KENWOOD ELECTRONICS ITALIA S.p.A.

Via G. Sirtori, 7/9 20129 Milano, Italy

KENWOOD IBERICA S.A.

Bolivia, 239-08020 Barcelona, Spain

KENWOOD ELECTRONICS AUSTRALIA PTY. LTD.

(A.C.N. 001 499 074)

16 Giffnock Avenue, Centrecourt Estate, North Ryde, N.S.W. 2113, Australia

KENWOOD ELECTRONICS (HONG KONG) LTD.

Unit 3712-3724, Level 37, Tower one Metroplaza, 223 Hing Fong Road, Kwai Fong, N.T., Hong Kong

KENWOOD ELECTRONICS TECHNOLOGIES(S) PTE LTD.

Sales Marketing Division

1 Ang Mo Kio Street 63, Singapore 569110

