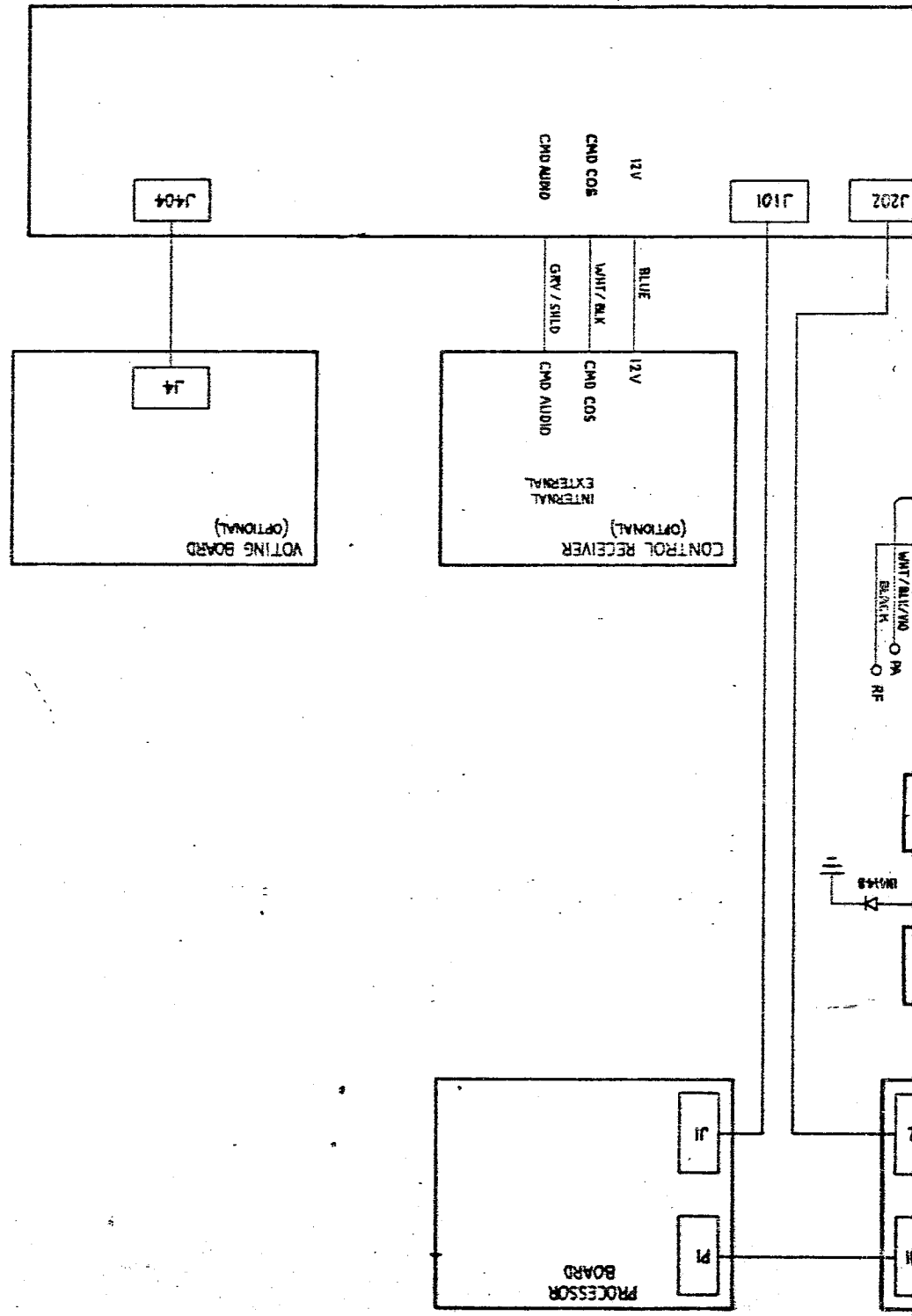


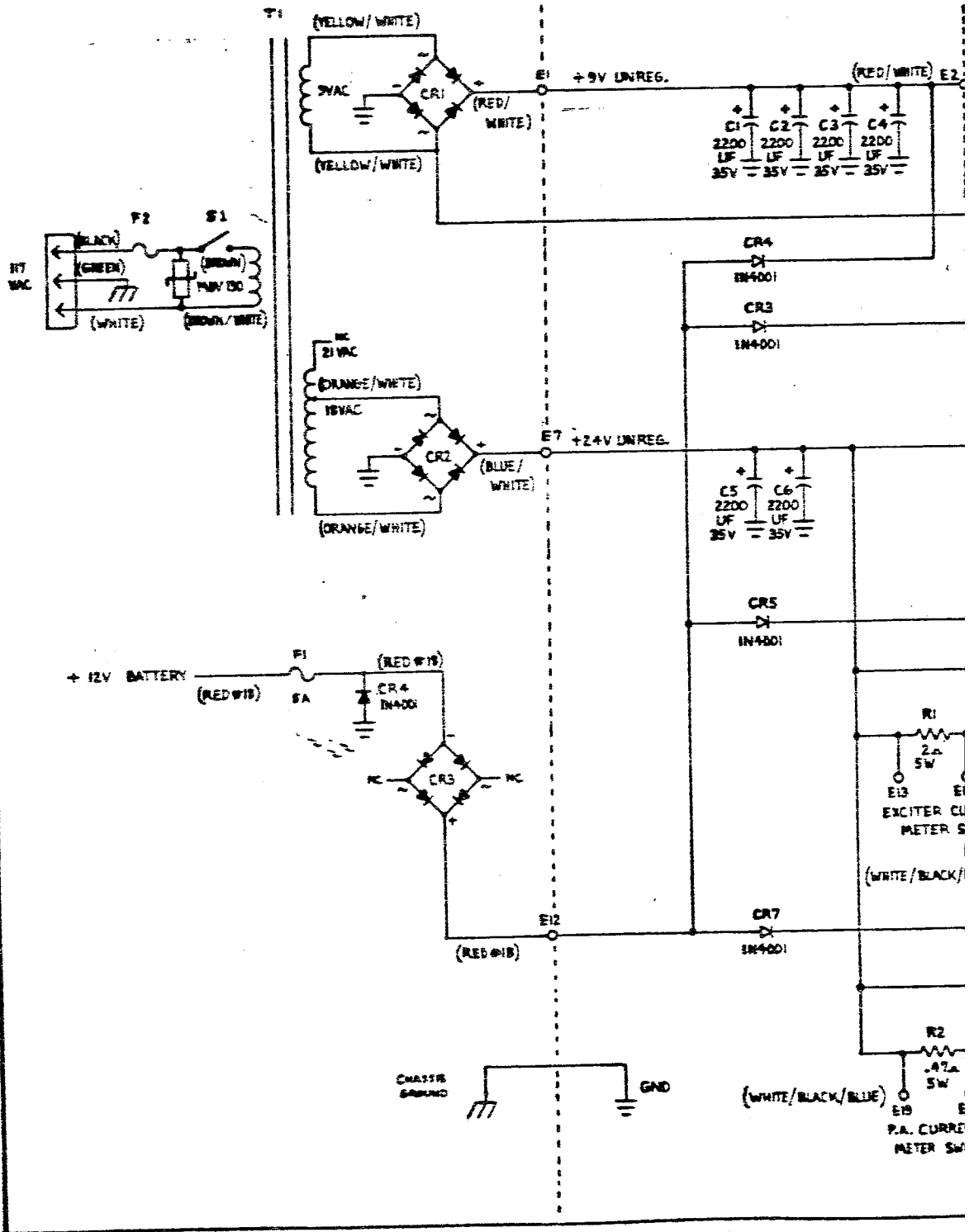
CRU1
 Received Signal Present
 CRU2
 CRU3
 TMS
 CRU4
 CMD
 CRU5
 CTCSS
 CRU6
 APSZ
 CRU7
 FUNCTION

PROCESSOR BOARD



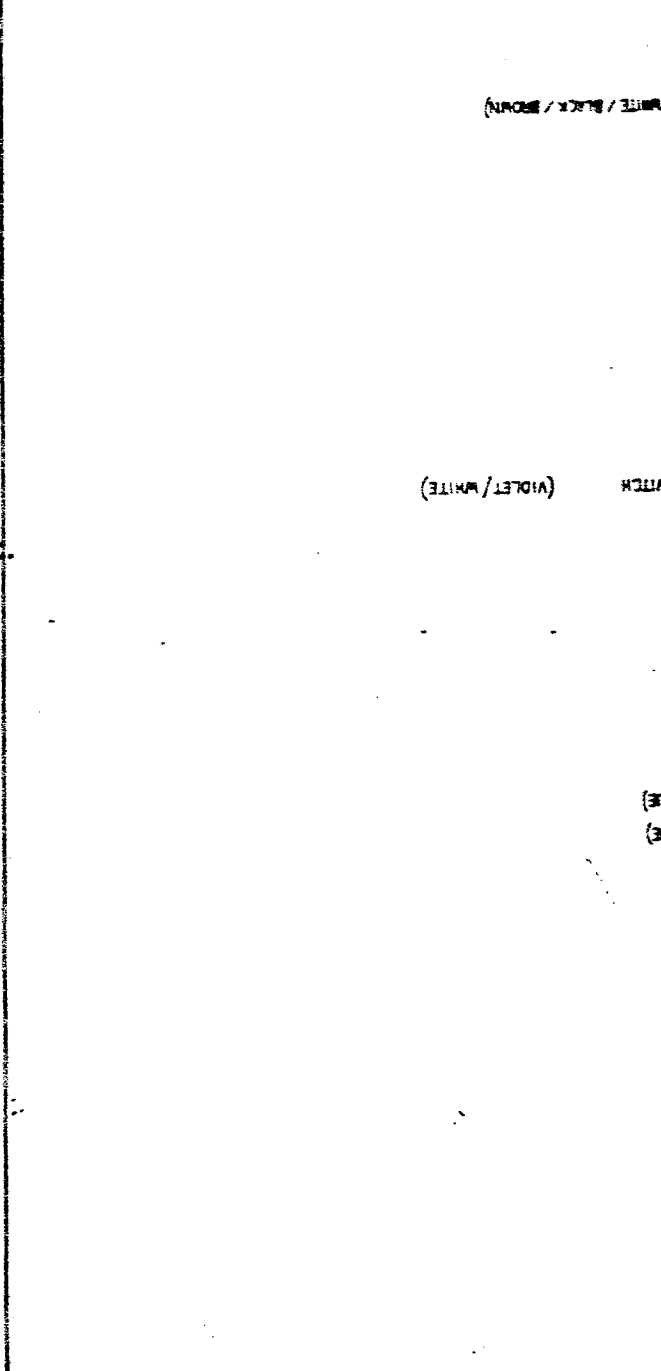
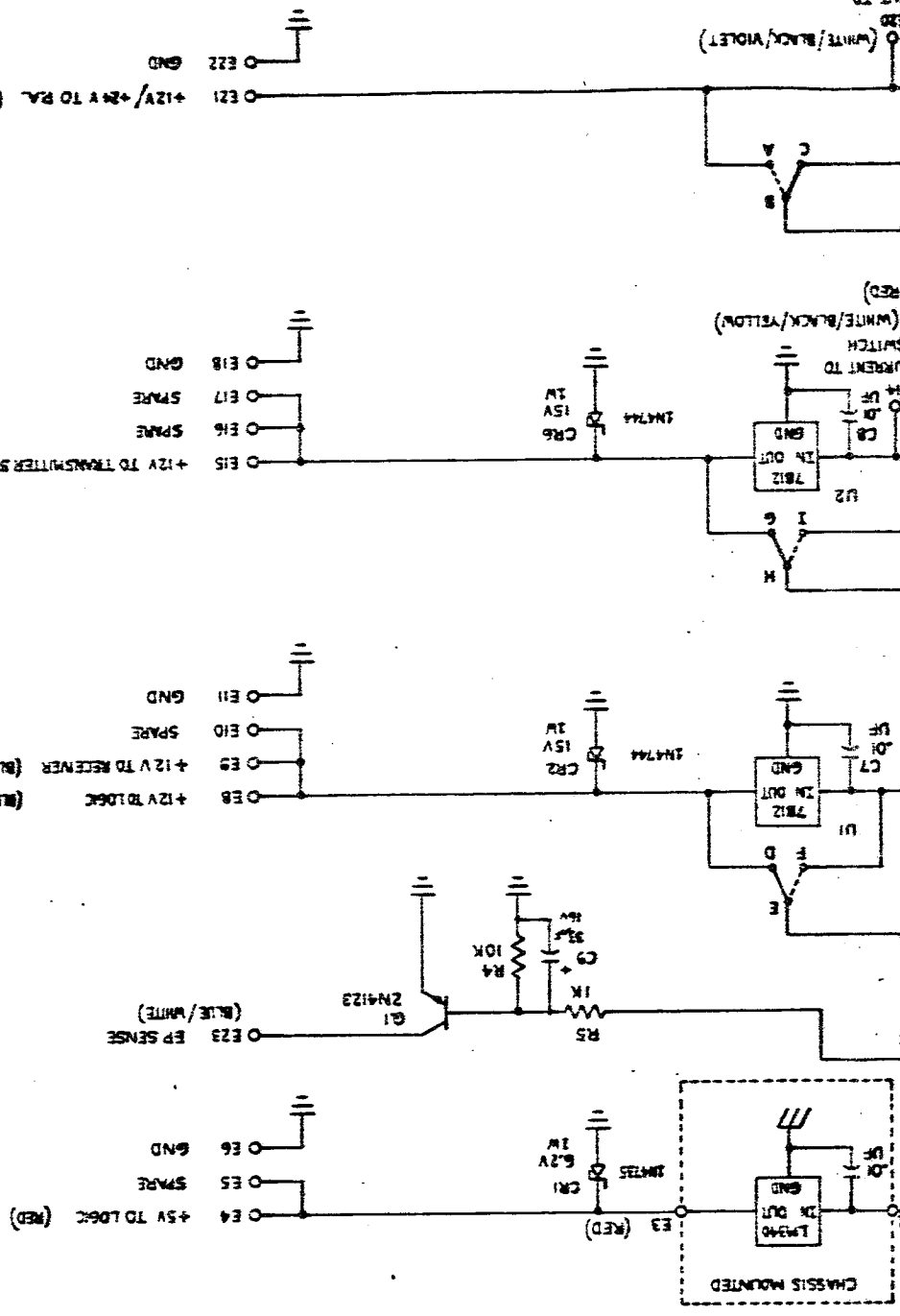
ECO#	REV	DESCRIPTION	DATE	BY

CHASSIS MOUNTED

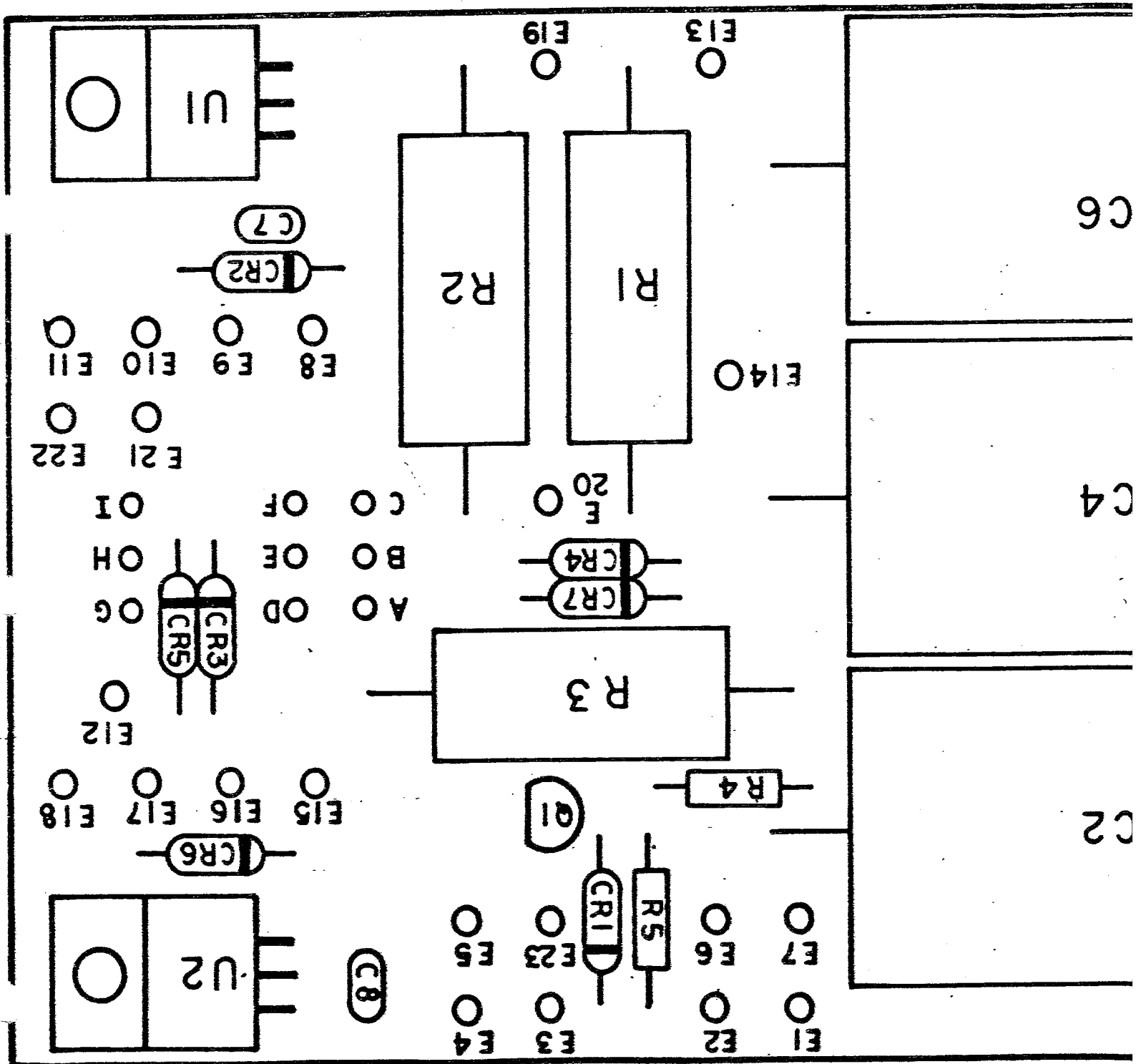


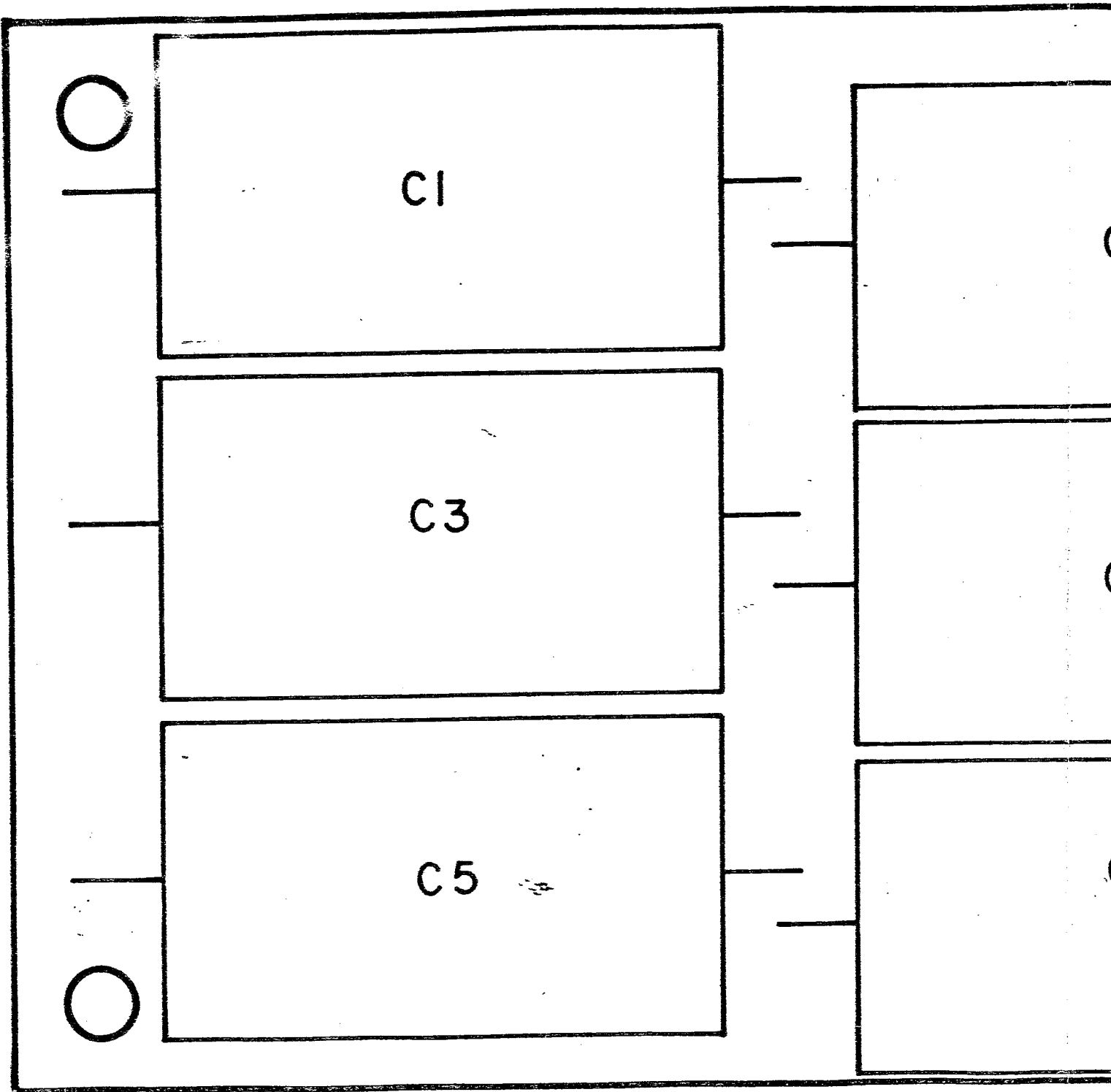
MICRO CONTROL SPECIALTIES		SCHEMATIC		REV A	
SHEET 1 OF 1		POWER SUPPLY BOARD		REV A	
DATE: 3-24-84		DESIGNED BY: [blank]		DRAWN BY: [blank]	

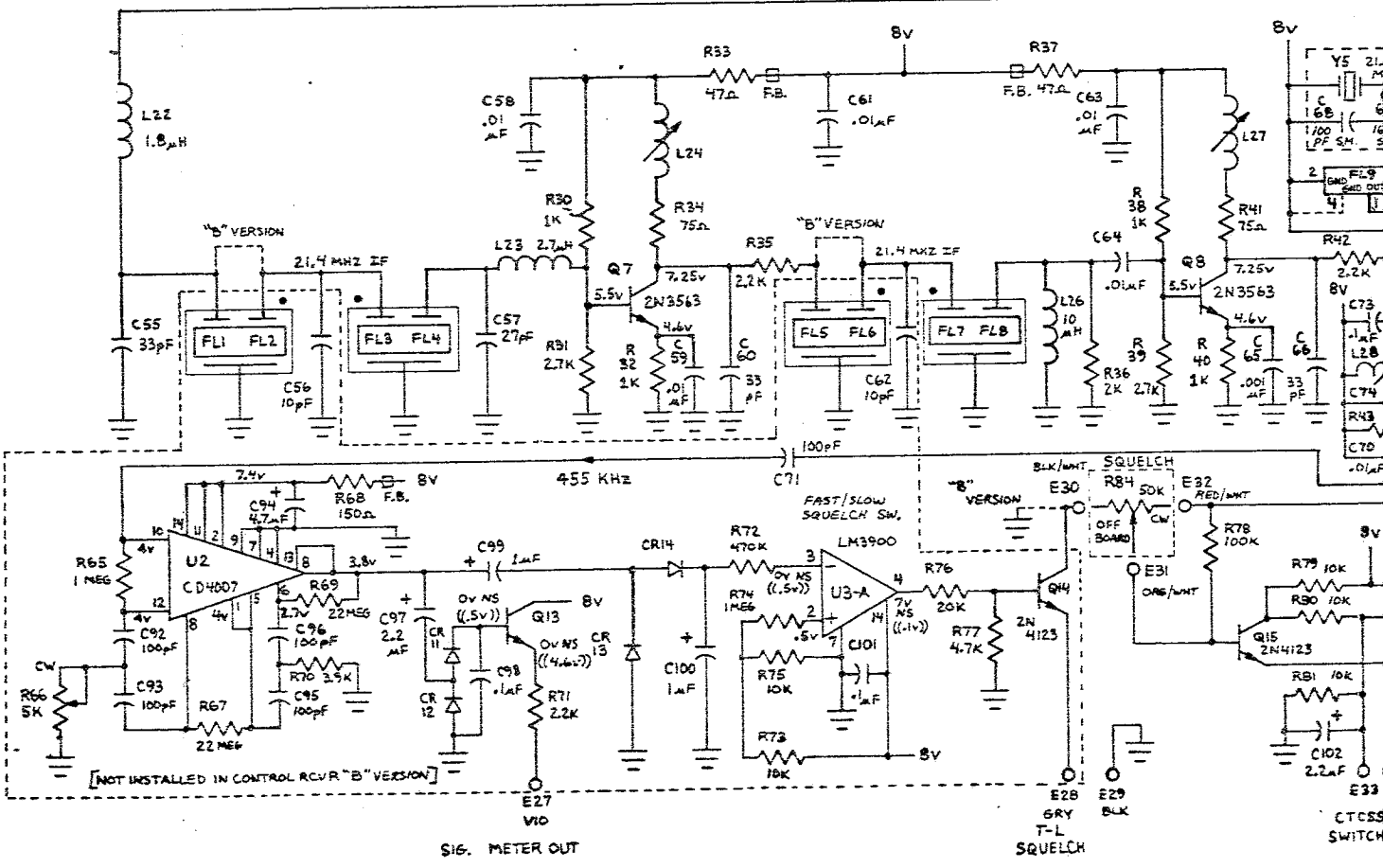
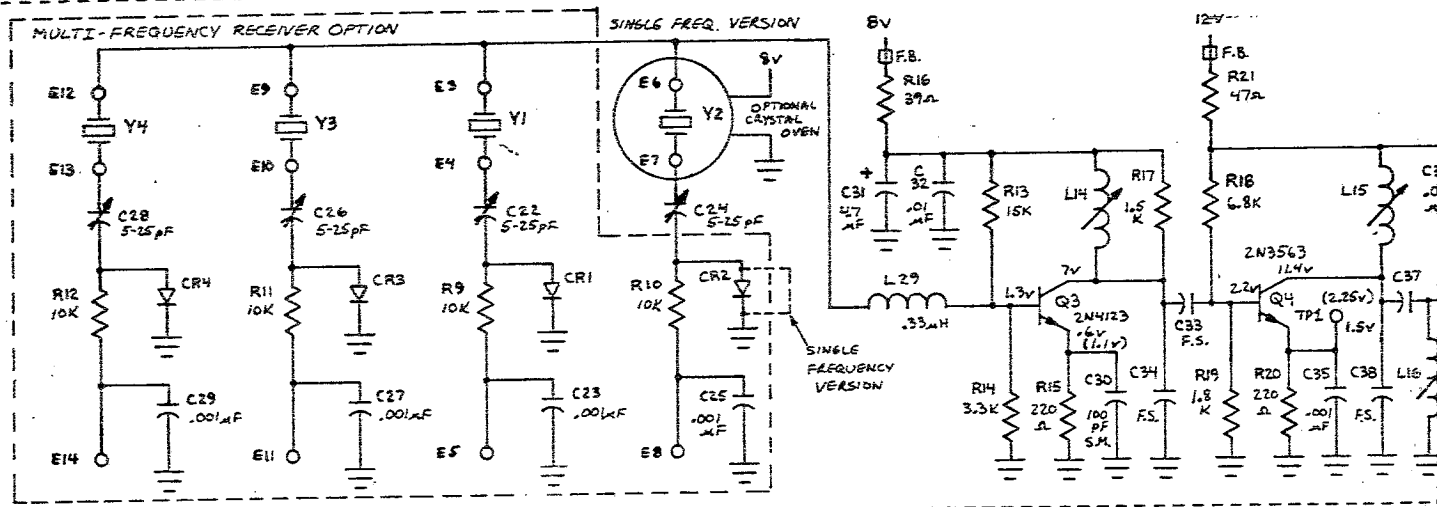
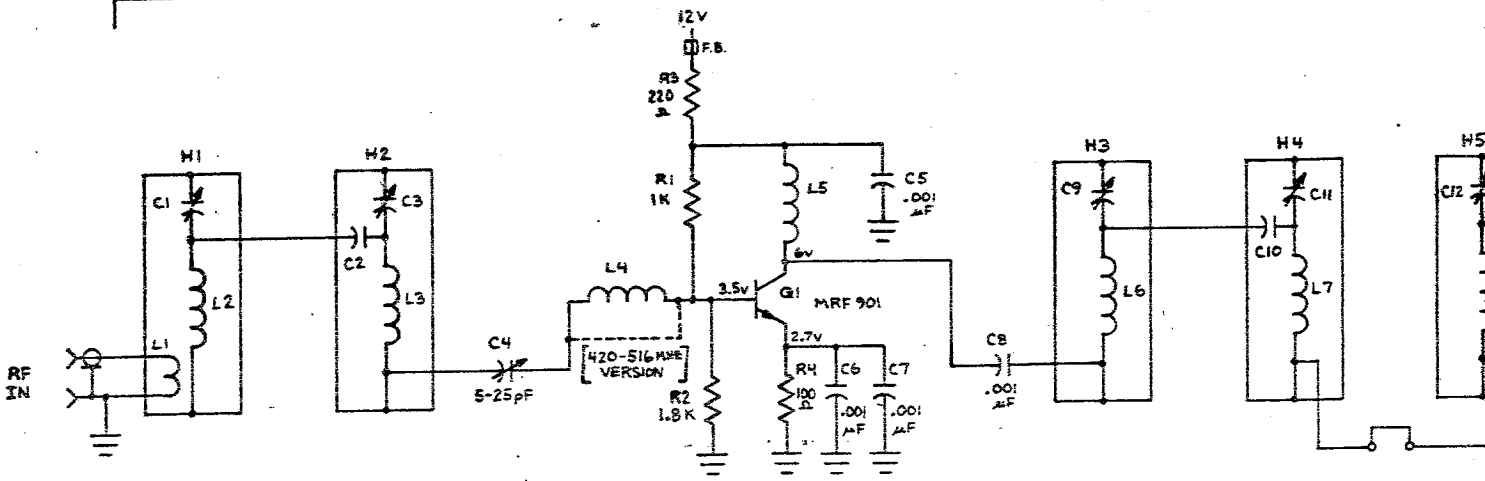
MICRO CONTROL SPECIALTIES



POWER SUPPLY BOARD LAYOUT



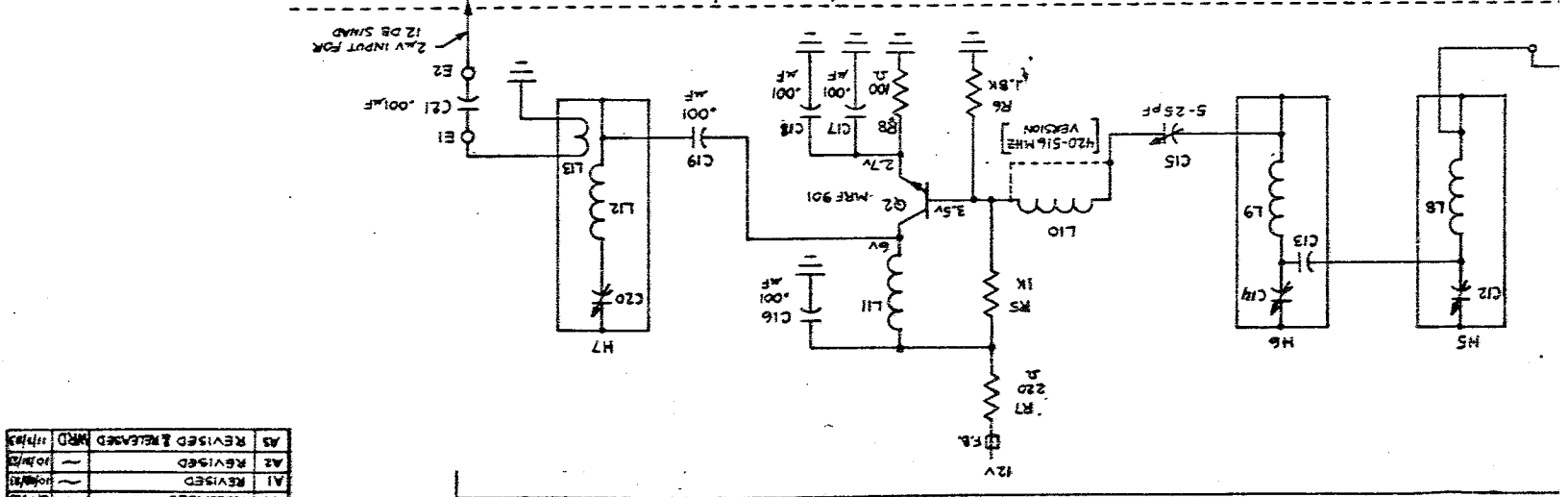
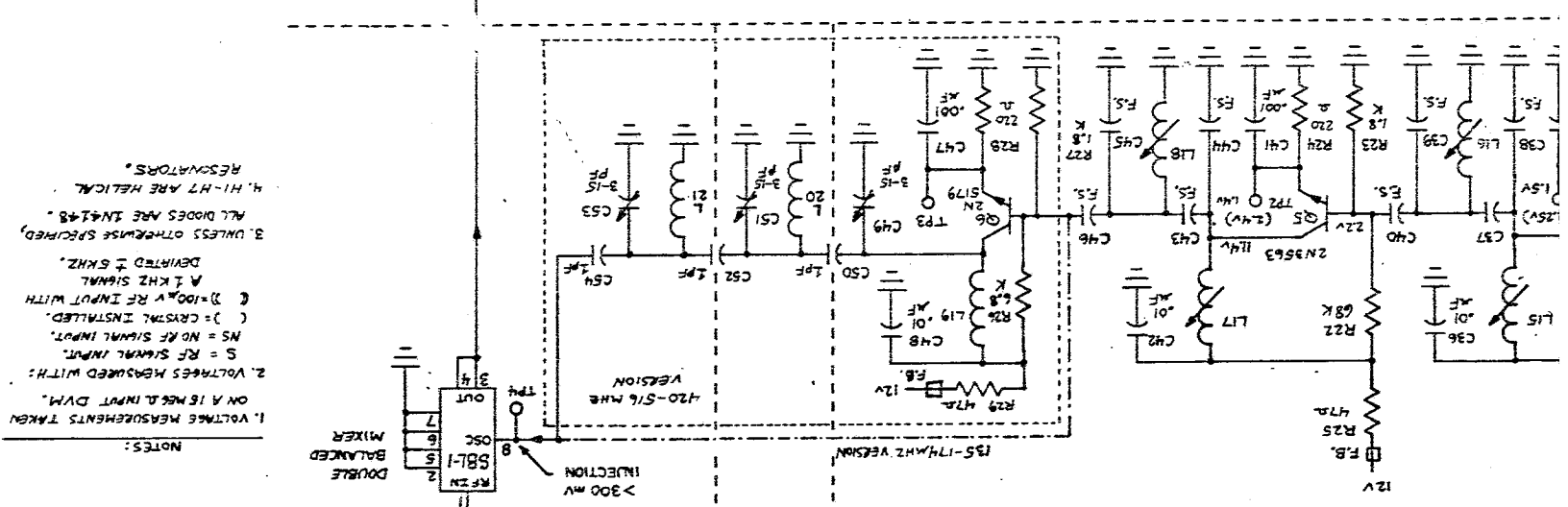
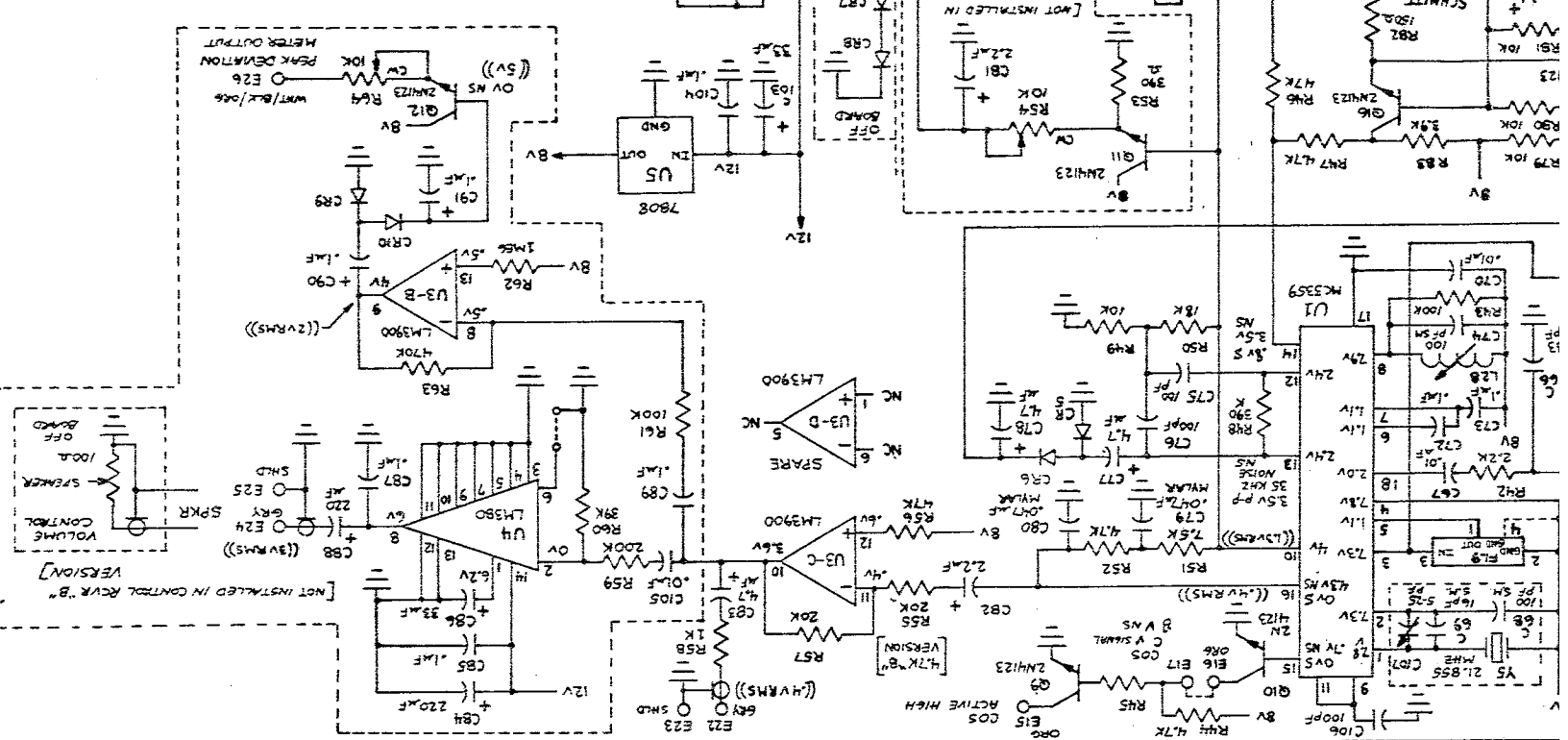




SIG. METER OUT

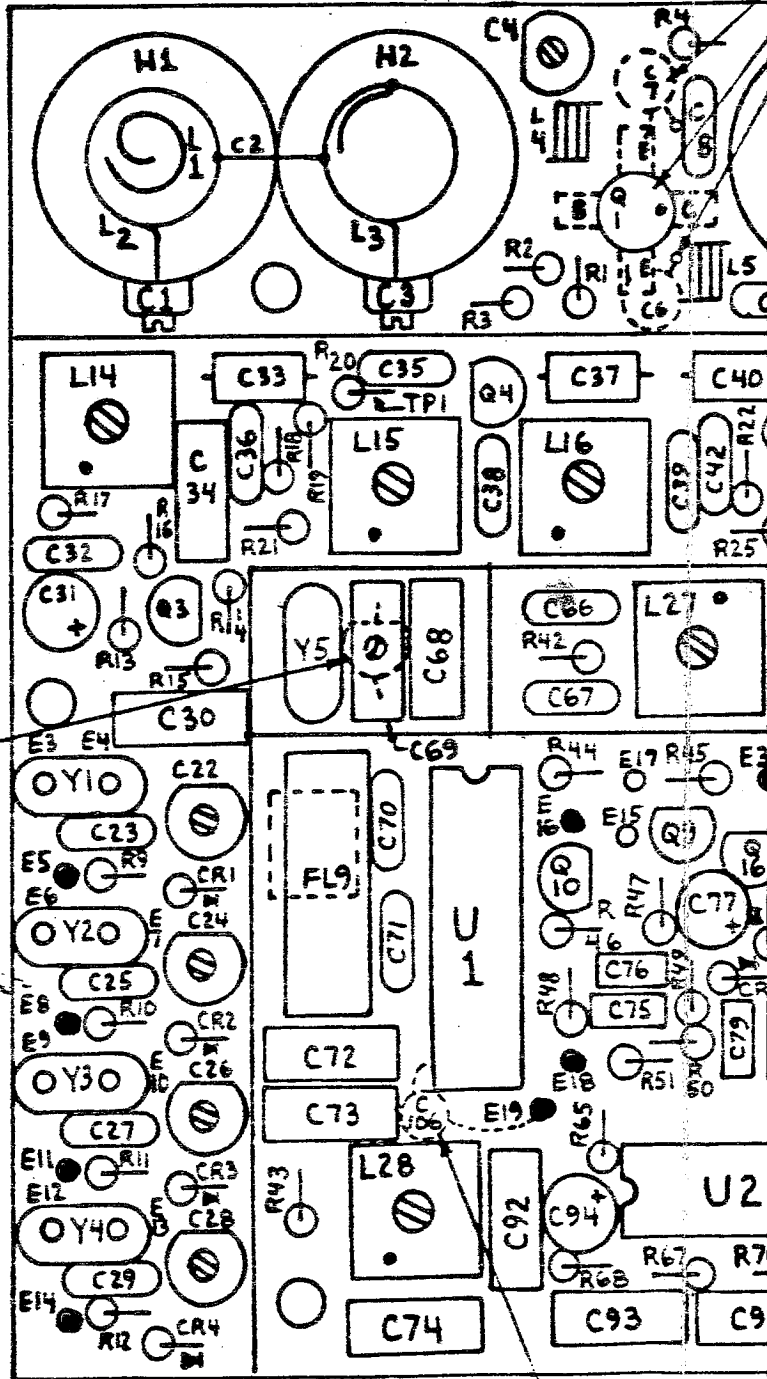
SQUELCH

CTCSS SWITCH



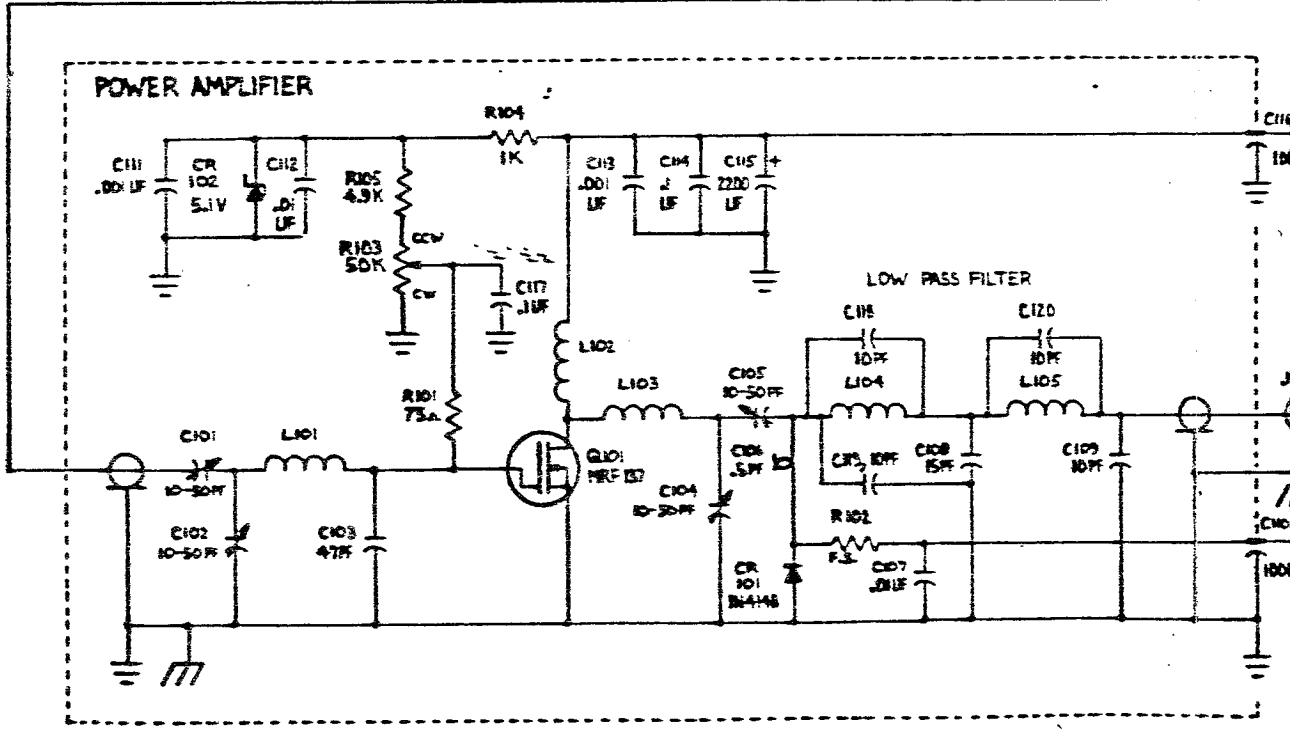
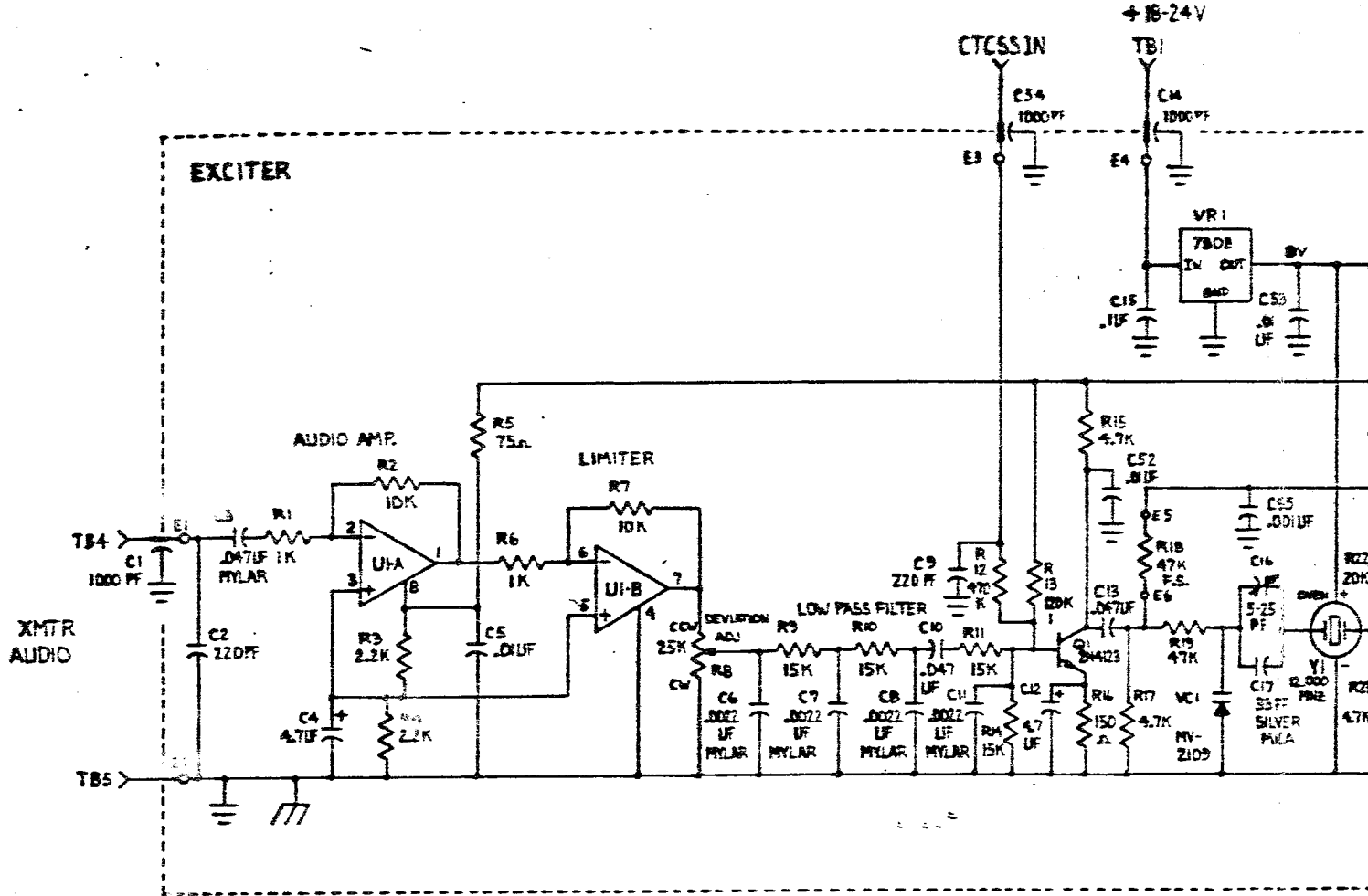
- NOTES:
- VOLTAGE MEASUREMENTS TAKEN ON A 15MEGΩ INPUT DVM.
 - VOLTAGES MEASURED WITH: S = RF SIGNAL INPUT, NS = NO RF SIGNAL INPUT, C = 100V RF INPUT WITH A 1KHZ SIGNAL DEVIATED ± 5KHZ, 3. UNLESS OTHERWISE SPECIFIED, ALL DIODES ARE 1N4148.
 4. H1-H7 ARE HELICAL RESONATORS.

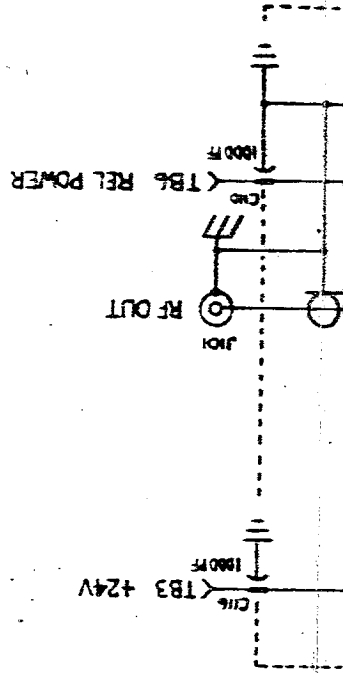
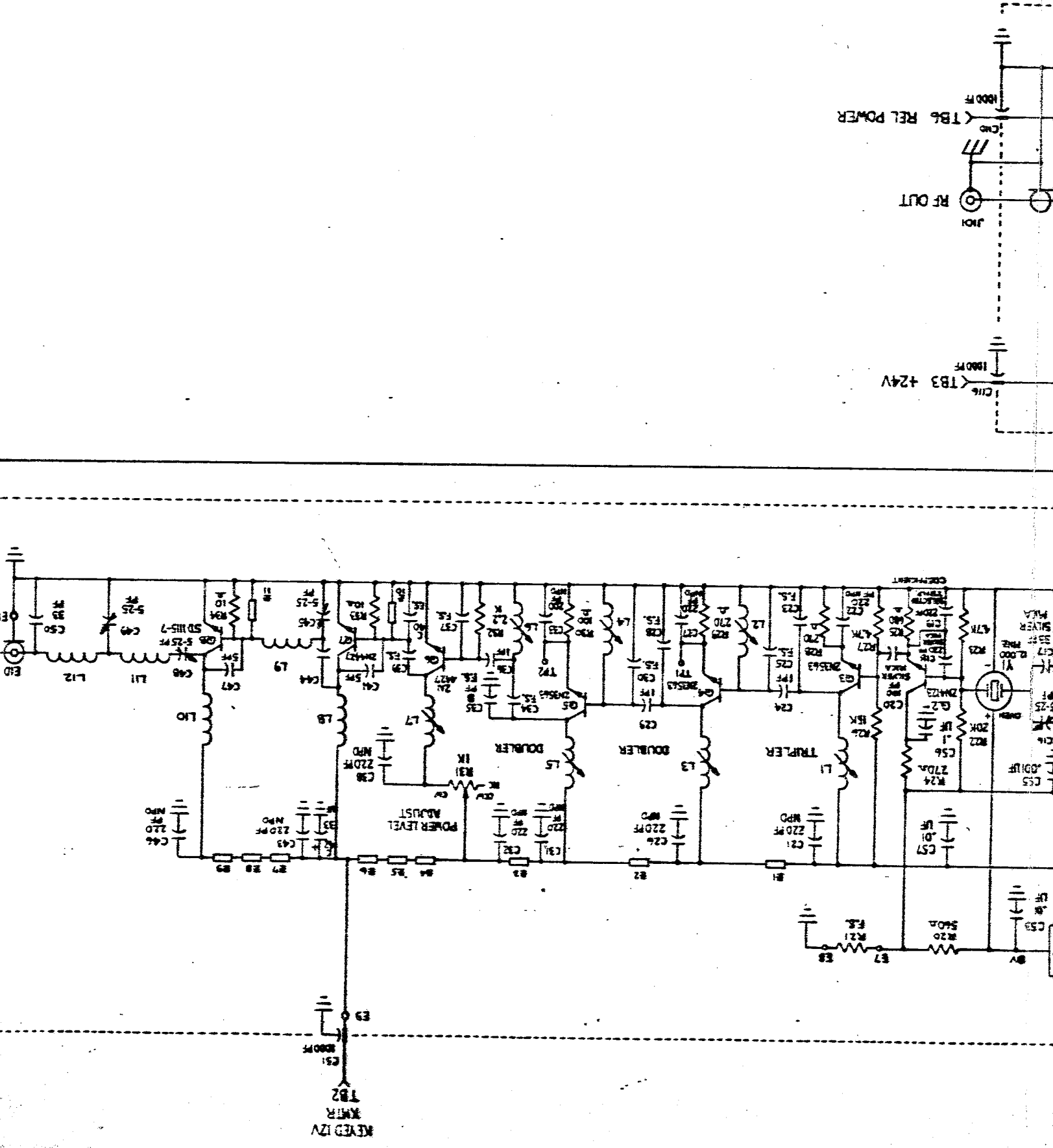
REV	DESCRIPTION	DATE
A	RELEASED	11/1/80
A1	REVISED	10/1/80
A2	REVISED	10/1/80
A3	REVISED & RELEASED	11/1/80



INSTALL FAR SIDE
C107

INSTALL
C106





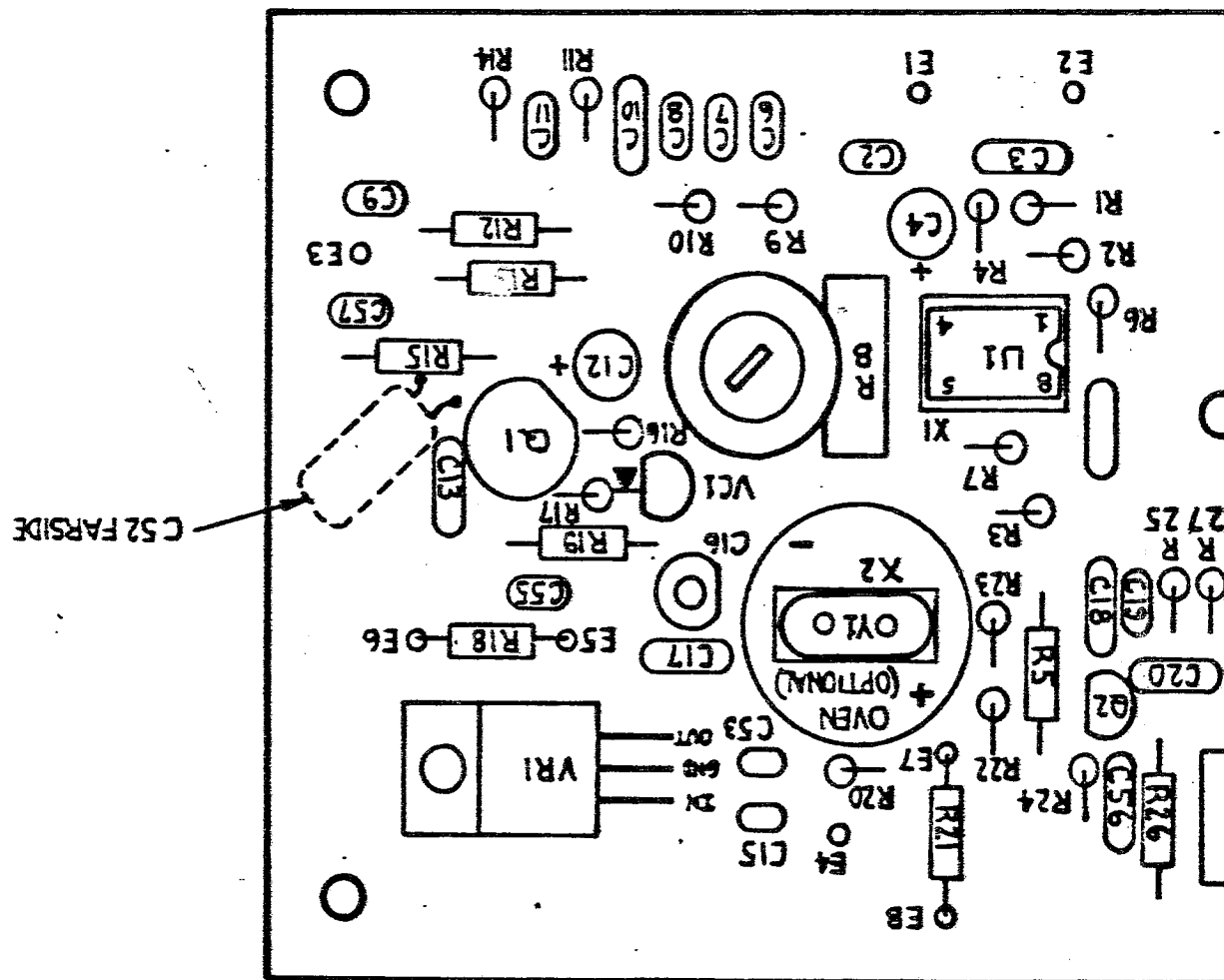
MICRO CONTROL SPECIALTIES

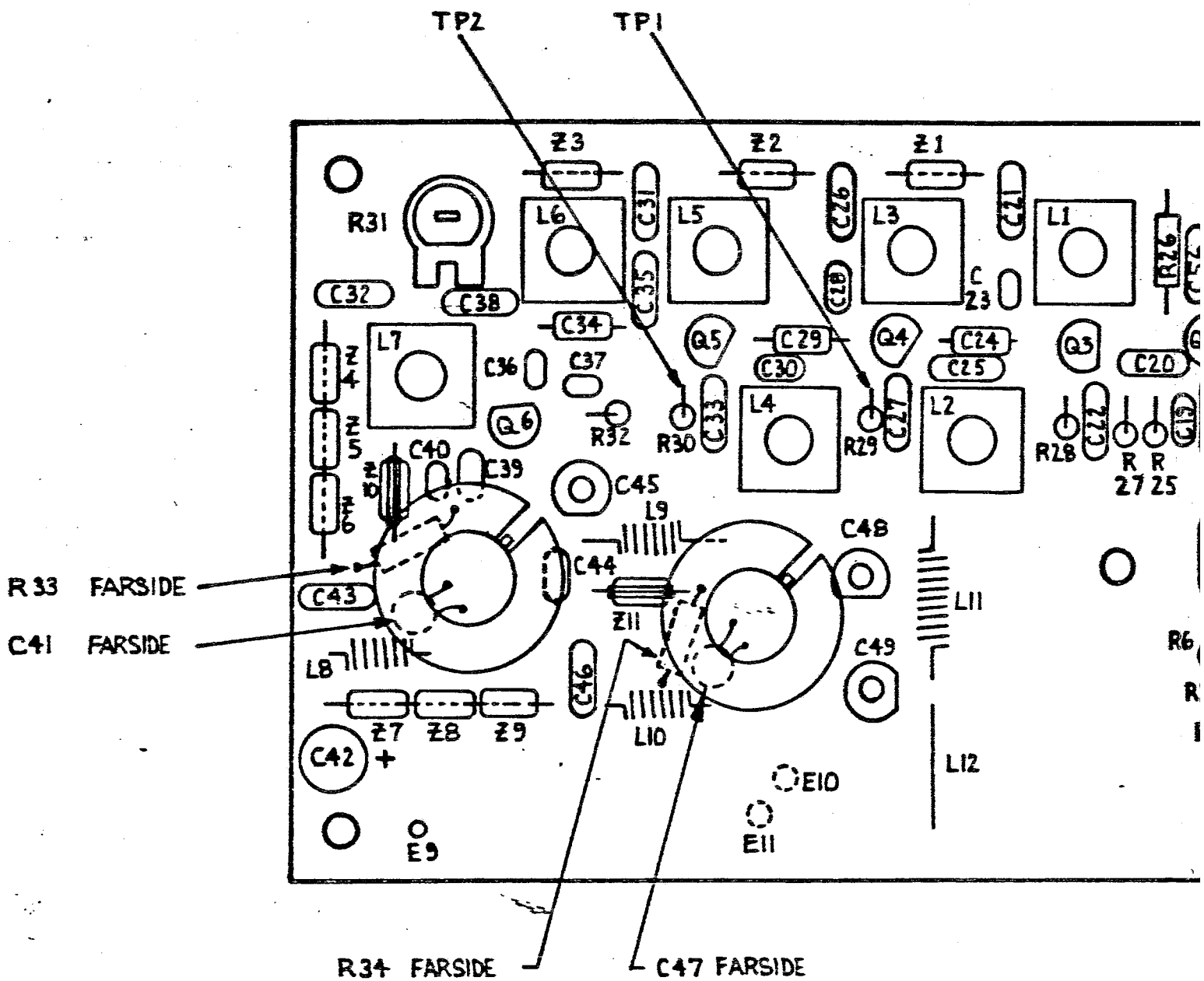
DRAGONBOX 9-29-84

SHEET 1 OF 1

MCS-TR135-174

REV D





30W POWER AMP. P.C. BOARD, REV D		MCS-1422	
ASSEMBLY DRAWING			
DATE: 10/17/84		DRAWN BY: DRAGONWACK	
SCALE: 2 X 1		APPROVED BY:	
MICRO CONTROL SPECIALTIES 23 ELM PARK GROVELAND, MA. 01834			

