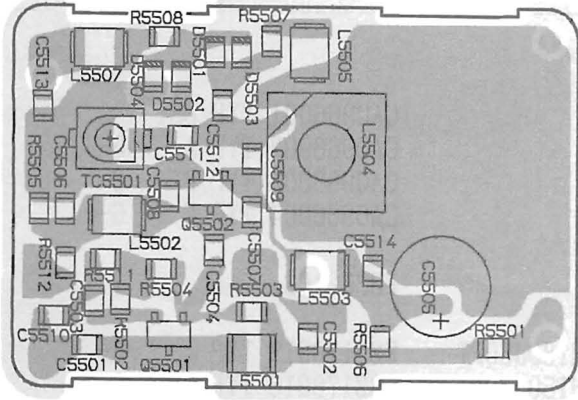
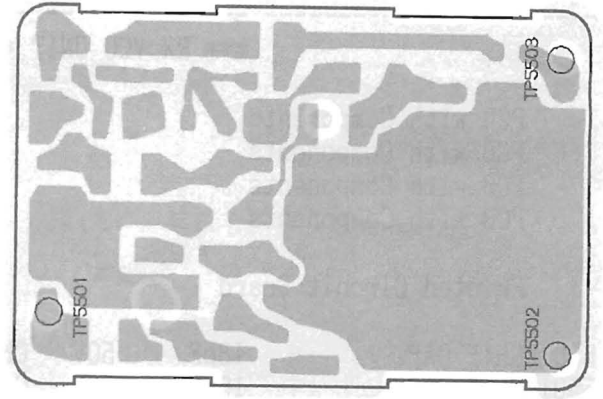


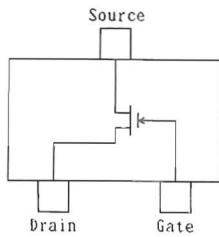
### Parts Layout



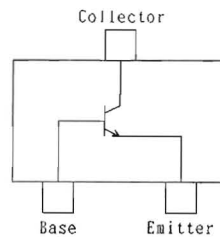
obverse view of component side



obverse view of solder side

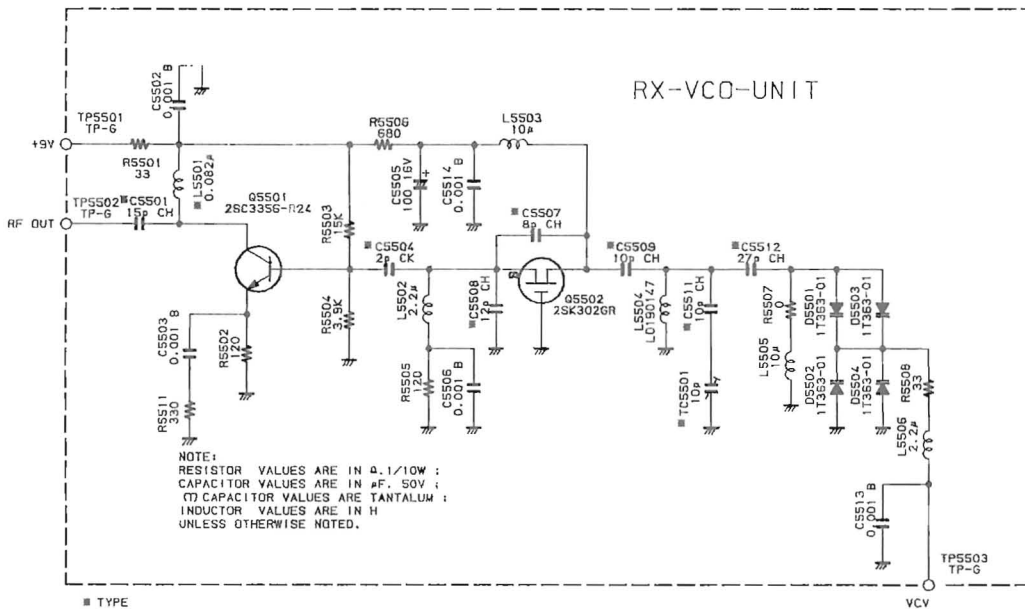


2SK302GR (TG)  
(Q5502)



2SC3356 (R24)  
(Q5501)

### Circuit Diagram



■ TYPE

	A	B	BS1	C
C5501	18P	15P	15P	10P
C5504	1P	1P	2P	2P
C5507	8P	8P	8P	7P
C5508	12P	12P	12P	10P
C5509	12P	12P	10P	9P
C5511	22P	10P	10P	7P
C5512	39P	39P	27P	22P
L5501	100N	82N	82N	82N
TC5501	20P	20P	10P	10P

REF.	DESCRIPTION	VALUE	WV	TOL.	MFGR'S DESIG	YAESU P/N	VERS.	LOT.	LAY	ADR
*** RX VCO UNIT ***										
	PCB with Components					CA0966001	TYP BS1			
	PCB with Components					CA0966002	TYP A	6-		
	PCB with Components					CA0966003	TYP B	6-		
	PCB with Components					CA0966004	TYP C	6-		
	Printed Circuit Board					F3382102				
C 5501	CHIP CAP.	18pF	50V	CH	GRM40CH180J50PT	K22170217	TYP A	6-		
C 5501	CHIP CAP.	15pF	50V	CH	GRM40CH150J50PT	K22170215	TYP B	6-		
C 5501	CHIP CAP.	15pF	50V	CH	GRM40CH150J50PT	K22170215	TYP BS1			
C 5501	CHIP CAP.	10pF	50V	CH	GRM40CH100D50PT	K22170211	TYP C	6-		
C 5502	CHIP CAP.	0.001uF	50V	B	GRM40B102M50PT	K22170805				
C 5503	CHIP CAP.	0.001uF	50V	B	GRM40B102M50PT	K22170805				
C 5504	CHIP CAP.	1pF	50V	CK	GRM40CK010C50PT	K22170202	TYP A	6-		
C 5504	CHIP CAP.	1pF	50V	CK	GRM40CK010C50PT	K22170202	TYP B	6-		
C 5504	CHIP CAP.	2pF	50V	CK	GRM40CK020C50PT	K22170203	TYP BS1			
C 5504	CHIP CAP.	2pF	50V	CK	GRM40CK020C50PT	K22170203	TYP C	6-		
C 5505	AL. ELECTRO. CAP.	100uF	16V		RC2-16V101MS (6X7)	K40129038				
C 5506	CHIP CAP.	0.001uF	50V	B	GRM40B102M50PT	K22170805				
C 5507	CHIP CAP.	8pF	50V	CH	GRM40CH080D50PT	K22170209	TYP A	6-		
C 5507	CHIP CAP.	8pF	50V	CH	GRM40CH080D50PT	K22170209	TYP B	6-		
C 5507	CHIP CAP.	8pF	50V	CH	GRM40CH080D50PT	K22170209	TYP BS1			
C 5507	CHIP CAP.	7pF	50V	CH	GRM40CH070D50PT	K22170208	TYP C	6-		
C 5508	CHIP CAP.	12pF	50V	CH	GRM40CH120J50PT	K22170213	TYP A	6-		
C 5508	CHIP CAP.	12pF	50V	CH	GRM40CH120J50PT	K22170213	TYP B	6-		
C 5508	CHIP CAP.	12pF	50V	CH	GRM40CH120J50PT	K22170213	TYP BS1			
C 5508	CHIP CAP.	10pF	50V	CH	GRM40CH100D50PT	K22170211	TYP C	6-		
C 5509	CHIP CAP.	12pF	50V	CH	GRM40CH120J50PT	K22170213	TYP A	6-		
C 5509	CHIP CAP.	12pF	50V	CH	GRM40CH120J50PT	K22170213	TYP B	6-		
C 5509	CHIP CAP.	10pF	50V	CH	GRM40CH100D50PT	K22170211	TYP BS1			
C 5509	CHIP CAP.	9pF	50V	CH	GRM40CH090D50PT	K22170210	TYP C	6-		
C 5511	CHIP CAP.	22pF	50V	CH	GRM40CH220J50PT	K22170219	TYP A	6-		
C 5511	CHIP CAP.	10pF	50V	CH	GRM40CH100D50PT	K22170211	TYP B	6-		
C 5511	CHIP CAP.	10pF	50V	CH	GRM40CH100D50PT	K22170211	TYP BS1			
C 5511	CHIP CAP.	7pF	50V	CH	GRM40CH070D50PT	K22170208	TYP C	6-		
C 5512	CHIP CAP.	39pF	50V	CH	GRM40CH390J50PT	K22170225	TYP A	6-		
C 5512	CHIP CAP.	39pF	50V	CH	GRM40CH390J50PT	K22170225	TYP B	6-		
C 5512	CHIP CAP.	27pF	50V	CH	GRM40CH270J50PT	K22170221	TYP BS1			
C 5512	CHIP CAP.	22pF	50V	CH	GRM40CH220J50PT	K22170219	TYP C	6-		
C 5513	CHIP CAP.	0.001uF	50V	B	GRM40B102M50PT	K22170805				
C 5514	CHIP CAP.	0.001uF	50V	B	GRM40B102M50PT	K22170805				
D 5501	DIODE				1T363-01-T08A	G2070114				
D 5502	DIODE				1T363-01-T08A	G2070114				
D 5503	DIODE				1T363-01-T08A	G2070114				
D 5504	DIODE				1T363-01-T08A	G2070114				
L 5501	CHIP COIL	0.1uH			LQN2AR10K	L1690011	TYP A	6-		
L 5501	CHIP COIL	0.082uH			LQN2A82NM	L1690010	TYP B	6-		
L 5501	CHIP COIL	0.082uH			LQN2A82NM	L1690010	TYP BS1			
L 5501	CHIP COIL	0.082uH			LQN2A82NM	L1690010	TYP C	6-		
L 5502	M. RFC	2.2uH			FLC32T-2R2K	L1690207				

REF.	DESCRIPTION	VALUE	WV	TOL.	MFGR'S DESIG	YAESU P/N	VERS.	LOT.	LAY	ADR
L 5503	CHIP COIL	10uH			LQH3N100K02M00-	L1690087				
L 5504	COIL				MC131	L0190147				
L 5505	CHIP COIL	10uH			LQH3N100K02M00-	L1690087				
L 5506	M. RFC	2.2uH			FLC32T-2R2K	L1690207				
Q 5501	TRANSISTOR				2SC3356-T2B R24	G3333567D				
Q 5502	FET				2SK302GR TE85R	G3803027G				
R 5501	CHIP RES.	33	1/10W	5%	RMC1/10T 330J	J24205330				
R 5502	CHIP RES.	120	1/10W	5%	RMC1/10T 121J	J24205121				
R 5503	CHIP RES.	15K	1/10W	5%	RMC1/10T 153J	J24205153				
R 5504	CHIP RES.	3.9K	1/10W	5%	RMC1/10T 392J	J24205392				
R 5505	CHIP RES.	120	1/10W	5%	RMC1/10T 121J	J24205121				
R 5506	CHIP RES.	680	1/10W	5%	RMC1/10T 681J	J24205681				
R 5507	CHIP RES.	0	1/10W	5%	RMC1/10T 000J	J24205000				
R 5508	CHIP RES.	33	1/10W	5%	RMC1/10T 330J	J24205330				
R 5511	CHIP RES.	330	1/10W	5%	RMC1/10T 331J	J24205331				
TC5501	CHIP TRIMMER	20pF			TZBX4R200BA110T00	K91000190	TYP A	6-		
TC5501	CHIP TRIMMER	20pF			TZBX4R200BA110T00	K91000190	TYP B	6-		
TC5501	TRIMMER CAP.	10pF			TZBX4N100BA110T00	K91000192	TYP BS1			
TC5501	TRIMMER CAP.	10pF			TZBX4N100BA110T00	K91000192	TYP C	6-		
TP5501	TP-G				MK1095	Q5000036				
TP5502	TP-G				MK1095	Q5000036				
TP5503	TP-G				MK1095	Q5000036				
	SHIELD CASE					R0146370				

*Notes:*