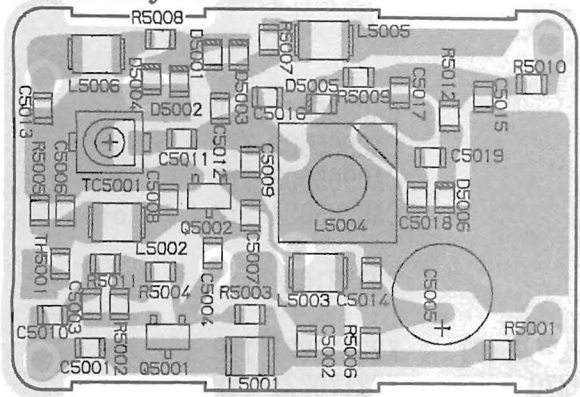
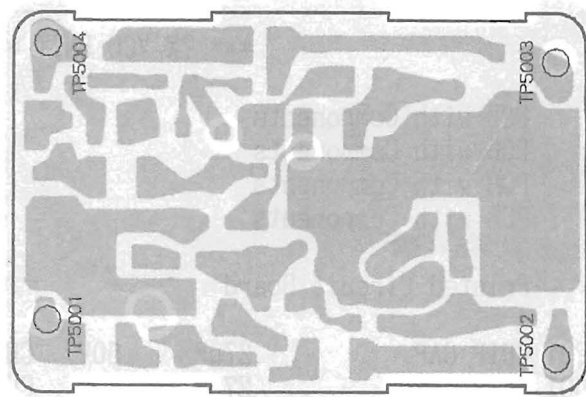


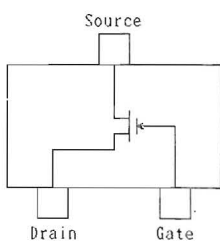
Parts Layout



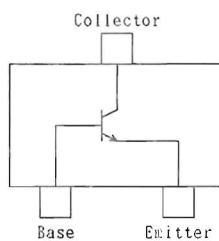
obverse view of component side



obverse view of solder side

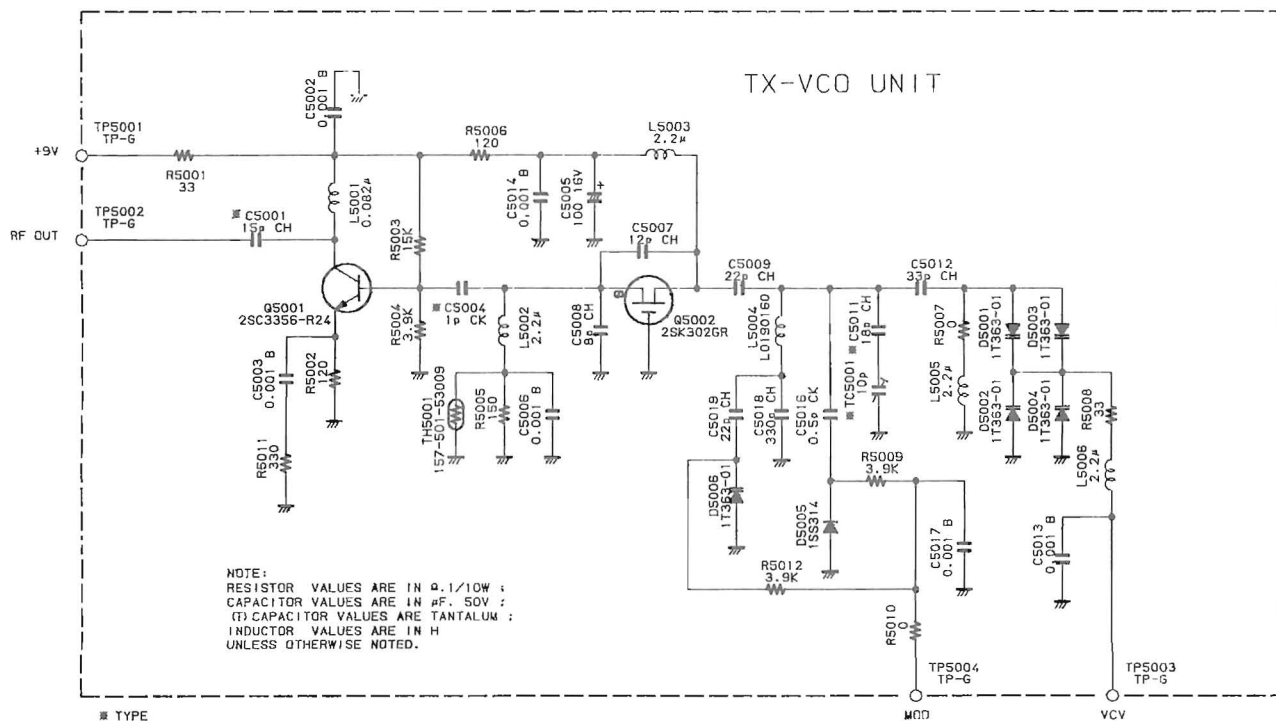


2SK302GR (TG)
(Q5002)



2SC3356 (R24)
(Q5001)

Circuit Diagram



※ TYPE

| | A | B | BS1 | C |
|--------|-----|-----|-----|-----|
| C5001 | 27P | 27P | 15P | 15P |
| C5004 | 2P | 1P | 1P | 1P |
| C5011 | 47P | 27P | 18P | 18P |
| TC5001 | 20P | 20P | 10P | 10P |

| REF. | DESCRIPTION | VALUE | WV | TOL. | MFGR'S DESIG | YAESU P/N | VERS. | LOT. | LAY ADR |
|---------------------|-----------------------|---------|-------|------|-------------------|-----------|---------|------|---------|
| *** TX VCO UNIT *** | | | | | | | | | |
| | PCB with Components | | | | | CA0965001 | TYP BS1 | | |
| | PCB with Components | | | | | CA0965002 | TYP A | 6- | |
| | PCB with Components | | | | | CA0965003 | TYP B | 6- | |
| | PCB with Components | | | | | CA0965004 | TYP C | 6- | |
| | Printed Circuit Board | | | | | F3382101 | | | |
| C 5001 | CHIP CAP. | 27pF | 50V | CH | GRM40CH270J50PT | K22170221 | TYP A | 6- | |
| C 5001 | CHIP CAP. | 27pF | 50V | CH | GRM40CH270J50PT | K22170221 | TYP B | 6- | |
| C 5001 | CHIP CAP. | 15pF | 50V | CH | GRM40CH150J50PT | K22170215 | TYP BS1 | | |
| C 5001 | CHIP CAP. | 15pF | 50V | CH | GRM40CH150J50PT | K22170215 | TYP C | 6- | |
| C 5002 | CHIP CAP. | 0.001uF | 50V | B | GRM40B102M50PT | K22170805 | | | |
| C 5003 | CHIP CAP. | 0.001uF | 50V | B | GRM40B102M50PT | K22170805 | | | |
| C 5004 | CHIP CAP. | 2pF | 50V | CK | GRM40CK020C50PT | K22170203 | TYP A | 6- | |
| C 5004 | CHIP CAP. | 1pF | 50V | CK | GRM40CK010C50PT | K22170202 | TYP B | 6- | |
| C 5004 | CHIP CAP. | 1pF | 50V | CK | GRM40CK010C50PT | K22170202 | TYP BS1 | | |
| C 5004 | CHIP CAP. | 1pF | 50V | CK | GRM40CK010C50PT | K22170202 | TYP C | 6- | |
| C 5005 | AL. ELECTRO. CAP. | 100uF | 16V | | RC2-16V101MS(6X7) | K40129038 | | | |
| C 5006 | CHIP CAP. | 0.001uF | 50V | B | GRM40B102M50PT | K22170805 | | | |
| C 5007 | CHIP CAP. | 12pF | 50V | CH | GRM40CH120J50PT | K22170213 | | | |
| C 5008 | CHIP CAP. | 8pF | 50V | CH | GRM40CH080D50PT | K22170209 | | | |
| C 5009 | CHIP CAP. | 22pF | 50V | CH | GRM40CH220J50PT | K22170219 | | | |
| C 5011 | CHIP CAP. | 47pF | 50V | CH | GRM40CH470J50PT | K22170227 | TYP A | 6- | |
| C 5011 | CHIP CAP. | 27pF | 50V | CH | GRM40CH270J50PT | K22170221 | TYP B | 6- | |
| C 5011 | CHIP CAP. | 18pF | 50V | CH | GRM40CH180J50PT | K22170217 | TYP BS1 | | |
| C 5011 | CHIP CAP. | 18pF | 50V | CH | GRM40CH180J50PT | K22170217 | TYP C | 6- | |
| C 5012 | CHIP CAP. | 33pF | 50V | CH | GRM40CH330J50PT | K22170223 | | | |
| C 5013 | CHIP CAP. | 0.001uF | 50V | B | GRM40B102M50PT | K22170805 | | | |
| C 5014 | CHIP CAP. | 0.001uF | 50V | B | GRM40B102M50PT | K22170805 | | | |
| C 5016 | CHIP CAP. | 0.5pF | 50V | CK | GRM40CK0R5C50PT | K22170201 | | | |
| C 5017 | CHIP CAP. | 0.001uF | 50V | B | GRM40B102M50PT | K22170805 | | | |
| C 5018 | CHIP CAP. | 330pF | 50V | CH | GRM40CH331J50PT | K22170247 | | | |
| C 5019 | CHIP CAP. | 22pF | 50V | CH | GRM40CH220J50PT | K22170219 | | | |
| D 5001 | DIODE | | | | 1T363-01-T08A | G2070114 | | | |
| D 5002 | DIODE | | | | 1T363-01-T08A | G2070114 | | | |
| D 5003 | DIODE | | | | 1T363-01-T08A | G2070114 | | | |
| D 5004 | DIODE | | | | 1T363-01-T08A | G2070114 | | | |
| D 5005 | DIODE | | | | 1SS314 TPH3 | G2070122 | | | |
| D 5006 | DIODE | | | | 1T363-01-T08A | G2070114 | | | |
| L 5001 | CHIP COIL | 0.082uH | | | LQN2A82NM | L1690010 | | | |
| L 5002 | M. RFC | 2.2uH | | | FLC32T-2R2K | L1690207 | | | |
| L 5003 | M. RFC | 2.2uH | | | FLC32T-2R2K | L1690207 | | | |
| L 5004 | COIL | | | | MC131 | L0190160 | | | |
| L 5005 | M. RFC | 2.2uH | | | FLC32T-2R2K | L1690207 | | | |
| L 5006 | M. RFC | 2.2uH | | | FLC32T-2R2K | L1690207 | | | |
| Q 5001 | TRANSISTOR | | | | 2SC3356-T2B R24 | G3333567D | | | |
| Q 5002 | FET | | | | 2SK302GR TE85R | G3803027G | | | |
| R 5001 | CHIP RES. | 33 | 1/10W | 5% | RMC1/10T 330J | J24205330 | | | |

| REF. | DESCRIPTION | VALUE | WV | TOL. | MFGR'S DESIG | YAESU P/N | VERS. | LOT. | LAY | ADR |
|--------|--------------|-------|-------|------|-------------------|-----------|---------|------|-----|-----|
| R 5002 | CHIP RES. | 120 | 1/10W | 5% | RMC1/10T 121J | J24205121 | | | | |
| R 5003 | CHIP RES. | 15K | 1/10W | 5% | RMC1/10T 153J | J24205153 | | | | |
| R 5004 | CHIP RES. | 3.9K | 1/10W | 5% | RMC1/10T 392J | J24205392 | | | | |
| R 5005 | CHIP RES. | 150 | 1/10W | 5% | RMC1/10T 151J | J24205151 | | | | |
| R 5006 | CHIP RES. | 120 | 1/10W | 5% | RMC1/10T 121J | J24205121 | | | | |
| R 5007 | CHIP RES. | 0 | 1/10W | 5% | RMC1/10T 000J | J24205000 | | | | |
| R 5008 | CHIP RES. | 33 | 1/10W | 5% | RMC1/10T 330J | J24205330 | | | | |
| R 5009 | CHIP RES. | 3.9K | 1/10W | 5% | RMC1/10T 392J | J24205392 | | | | |
| R 5010 | CHIP RES. | 0 | 1/10W | 5% | RMC1/10T 000J | J24205000 | | | | |
| R 5011 | CHIP RES. | 330 | 1/10W | 5% | RMC1/10T 331J | J24205331 | | | | |
| R 5012 | CHIP RES. | 3.9K | 1/10W | 5% | RMC1/10T 392J | J24205392 | | | | |
| TC5001 | CHIP TRIMMER | 20pF | | | TZBX4R200BA110T00 | K91000190 | TYP A | | 6- | |
| TC5001 | CHIP TRIMMER | 20pF | | | TZBX4R200BA110T00 | K91000190 | TYP B | | 6- | |
| TC5001 | TRIMMER CAP. | 10pF | | | TZBX4N100BA110T00 | K91000192 | TYP BS1 | | | |
| TC5001 | TRIMMER CAP. | 10pF | | | TZBX4N100BA110T00 | K91000192 | TYP C | | 6- | |
| TH5001 | THERMISTOR | | | | 157-501-53009TP | G9090058 | | | | |
| TP5001 | TP-G | | | | MK1095 | Q5000036 | | | | |
| TP5002 | TP-G | | | | MK1095 | Q5000036 | | | | |
| TP5003 | TP-G | | | | MK1095 | Q5000036 | | | | |
| TP5004 | TP-G | | | | MK1095 | Q5000036 | | | | |
| | SHIELD CASE | | | | | R0146370 | | | | |

Notes: