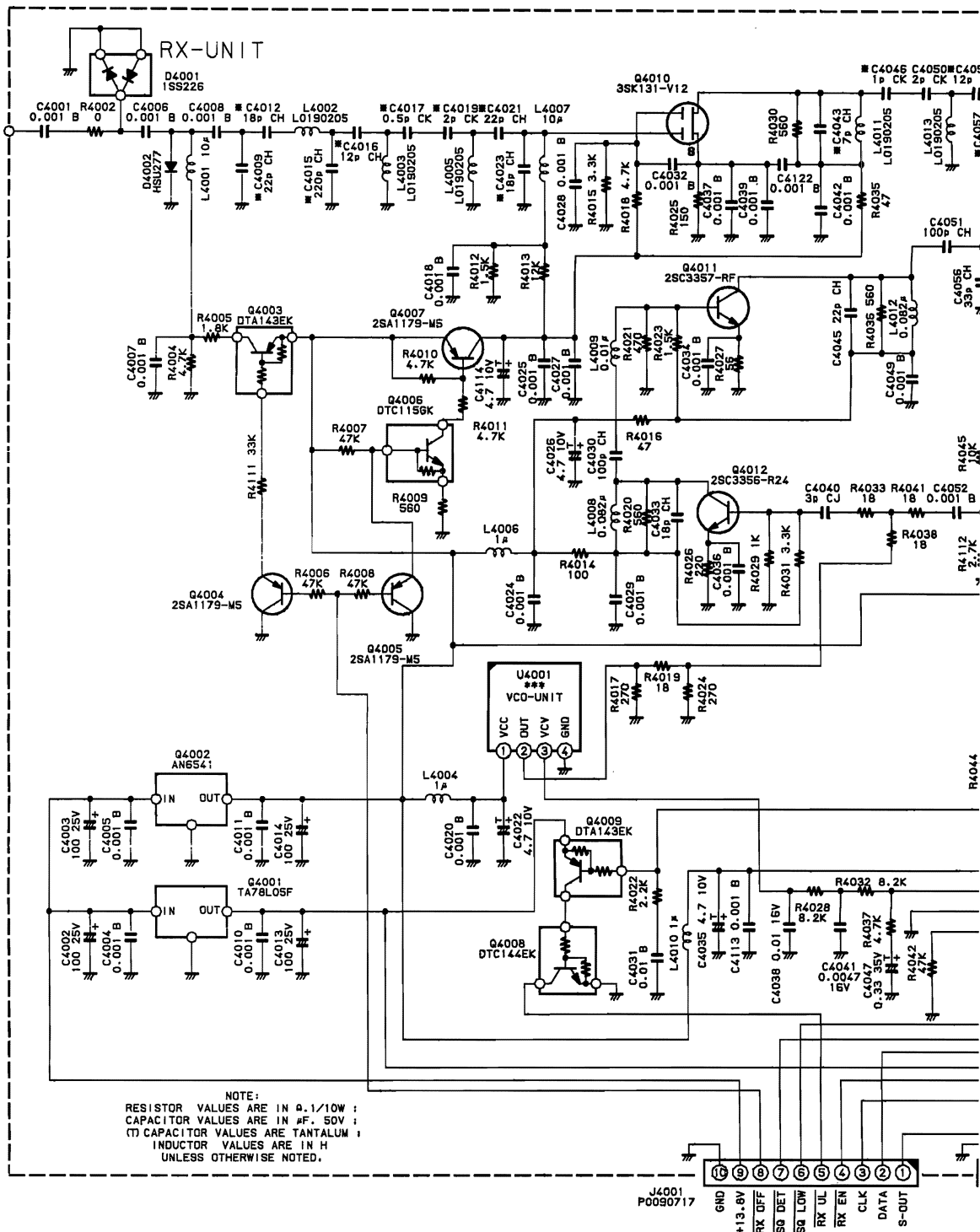


Circuit Diagram



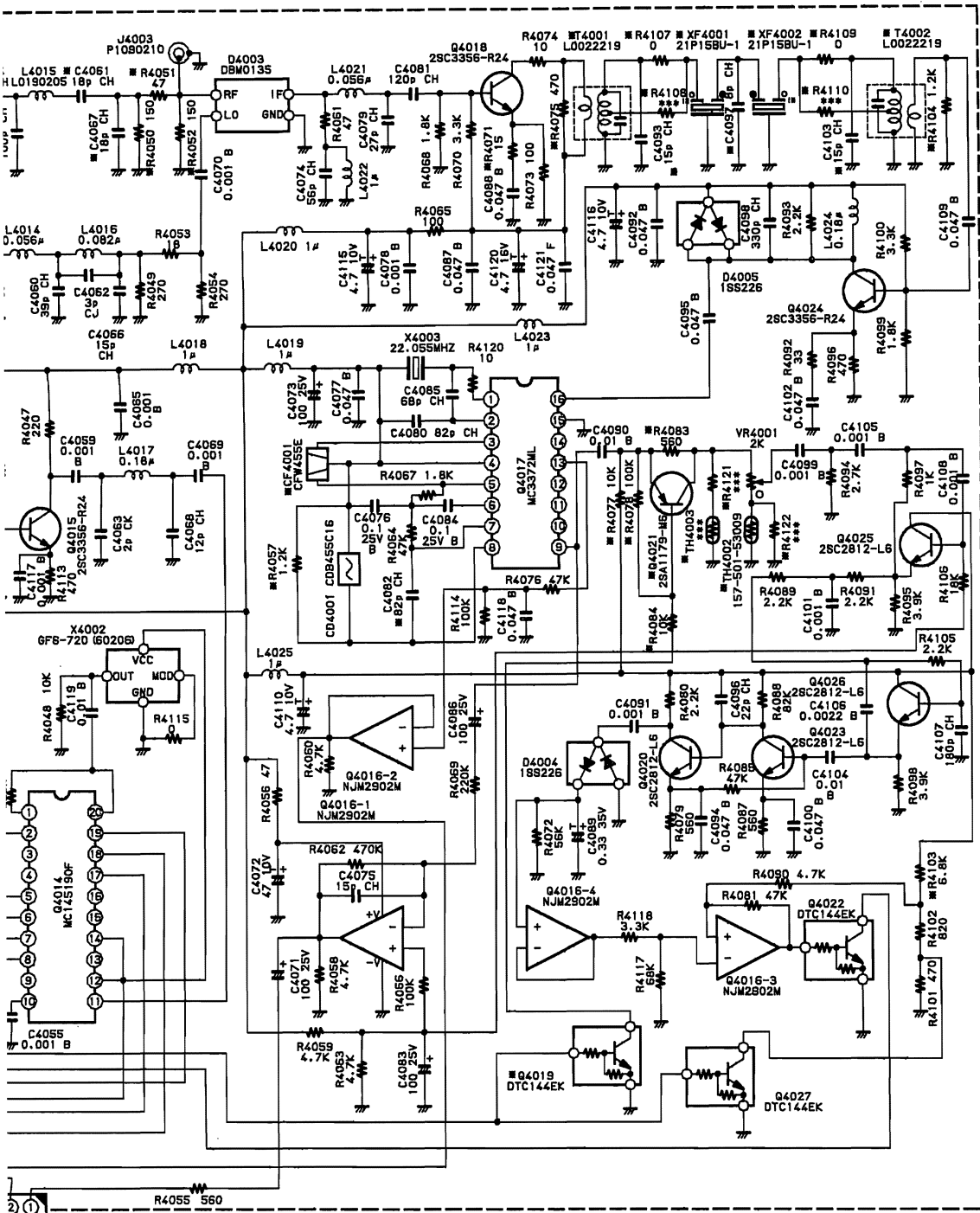
TYPE

	A	B	BS1	C
C4009	56P	22P	22P	18P
C4012	22P	22P	18P	18P
C4015	270P	220P	220P	220P
C4016	18P	12P	12P	12P
C4017	1P	0.5P	0.5P	0.5P
C4019	1P	2P	2P	2P
C4021	33P	22P	22P	22P

	A	B	BS1	C
C4023	27P	22P	18P	18P
C4043	12P	8P	7P	7P
C4046	2P	1P	1P	1P
C4054	18P	12P	12P	12P
C4057	120P	120P	100P	100P
C4061	47P	22P	18P	18P
C4067	22P	22P	18P	18P

	25K	20K	12.5K
R4050	150	270	270
R4051	47	18	18
R4052	150	270	270
R4057	1.2K	1.5K	2.2K
R4071	15	15	47
R4075	470	560	560
R4077	10K	10K	-

	25K
R4078	100K
R4083	560
R4084	10K
R4103	6.8K
R4104	1.2K
R4107	0
R4108	-



J4002 P0050712

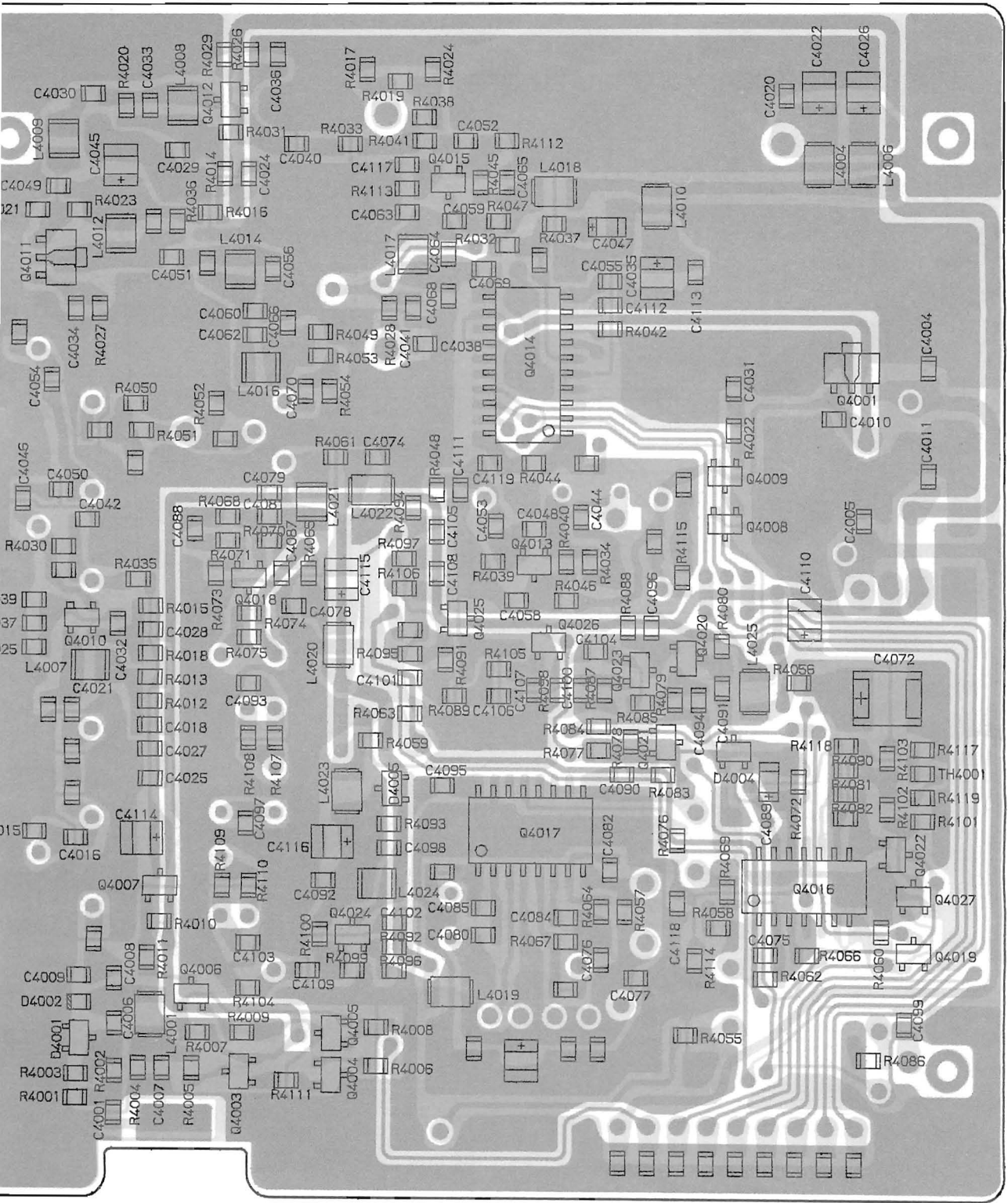
20K	12.5K
100K	-
560	680
10K	-
6.8K	3.3K
1.5K	1.5K
0	-
-	0

	25K	20K	12.5K
R4109	0	0	-
R4110	-	-	0
R4121	-	-	390
R4122	-	-	0
C4082	82P	82P	120P
C4093	15P	15P	8P
C4097	8P	9P	18P
C4103	15P	15P	8P
CF4001	CFW455E	CFW455F	CFW455G

	25K	20K	12.5K
Q4019	DTC144EK	DTC144EK	-
Q4021	2SA1179	2SA1179	-
XF4001	21P15BU-1	21P12BU-1	21PB8U-1
XF4002	21P15BU-1	21P12BU-1	21PB8U-1

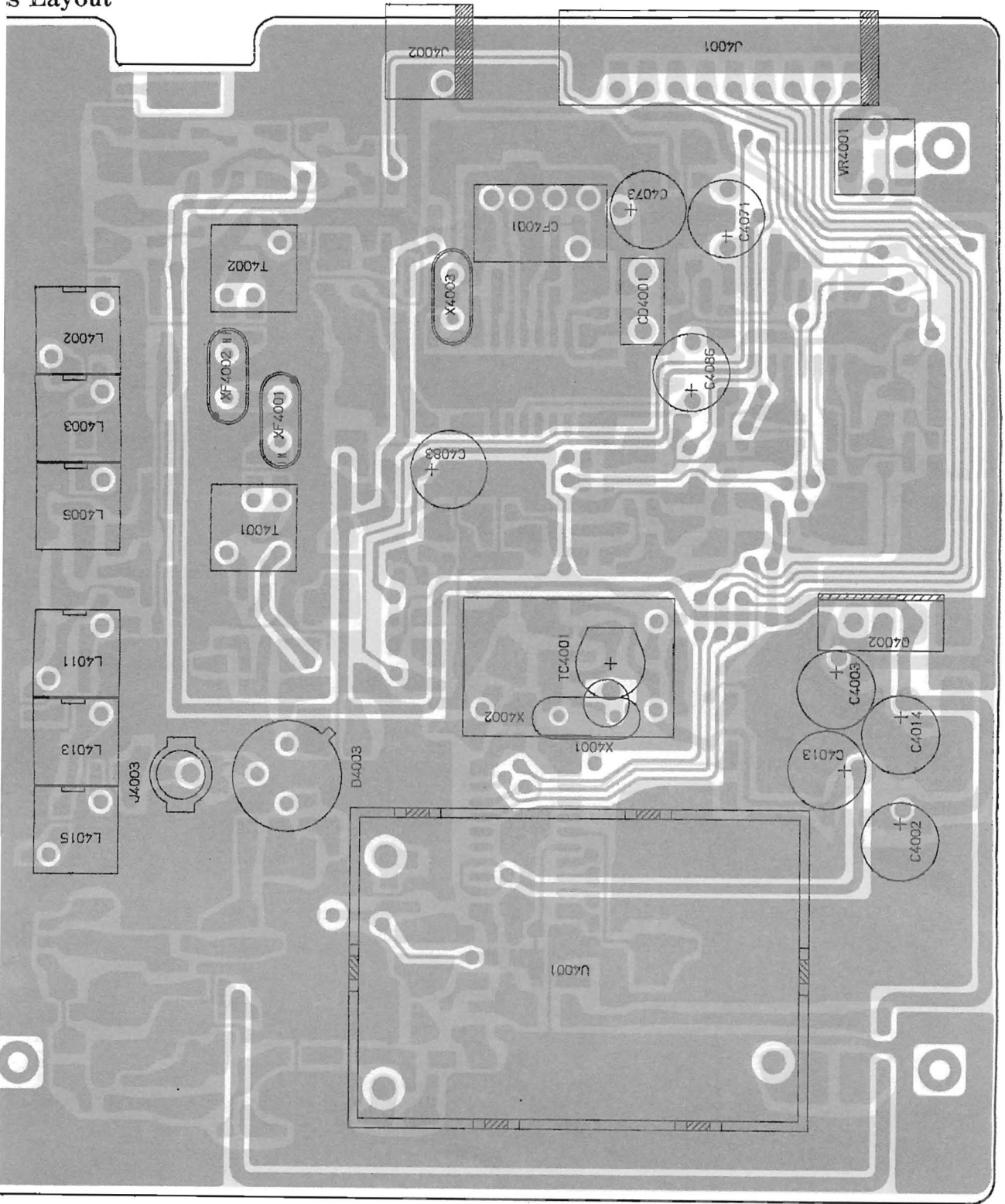
	25K	20K	12.5K
TH4002	157-501	157-501	-
TH4003	-	-	157-501
T4001	L0022219	L0022219	L0022174
T4002	L0022219	L0022219	L0022174

obverse view of chip

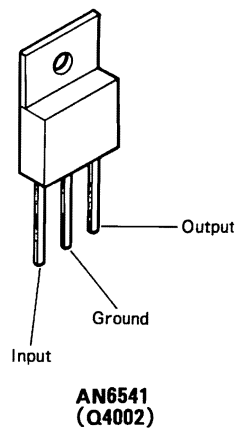
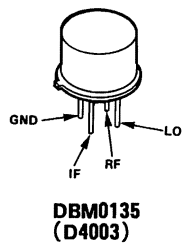


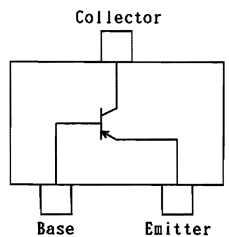
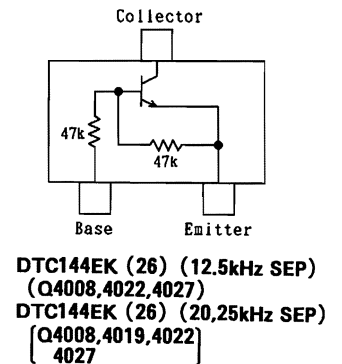
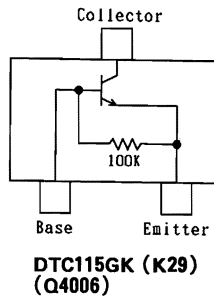
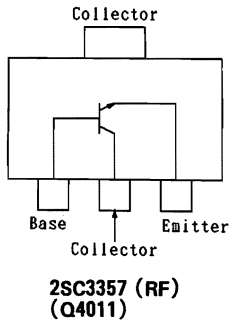
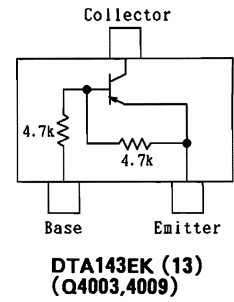
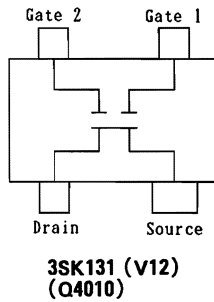
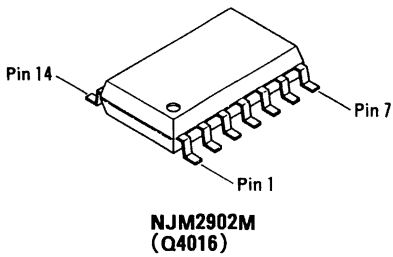
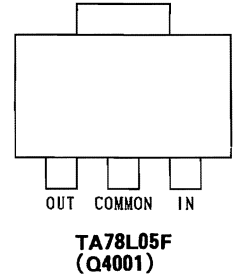
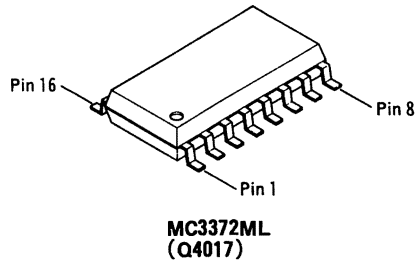
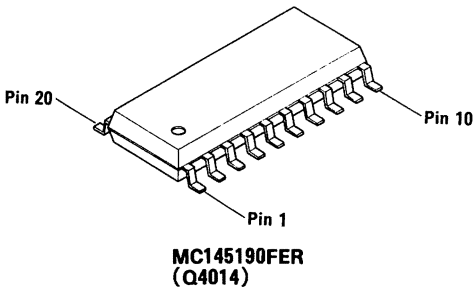
Parts Layout

s Layout

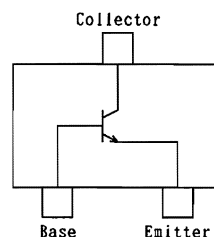


obverse view of component side

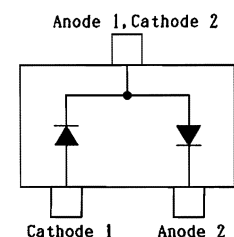




**2SA1179 (M5) (12.5kHz SEP)
(Q4004,4005,4007)**
**2SA1179 (M5) (20,25kHz SEP)
(Q4004,4005,4007)**
4021



**2SC2812 (L6)
(Q4020,4023,4025)**
4026
**2SC3356 (R24)
(Q4012,4015,4018)**
4024



**1SS226 (C3)
(D4001,4004,4005)**

side

REF.	DESCRIPTION	VALUE	WV	TOL.	MFGR'S DESIG	YAESU P/N	VERS.	LOT.	LAY	ADR
*** RX UNIT ***										
	PCB with Components					CA1031001	BS1, 25K			
	(W/O RX VCO UNIT, J4003 CONNECTOR, SHIELD CASE,					CA1031002	BS1, 20K	5-		
	SHIELD FRAME, SHIELD COVER, SPECIAL NUT(4pcs),					CA1031003	BS1, 12. 5K	5-		
	STICK FINGER(3pcs))					CA1031004	A, 25K	6-		
						CA1031005	A, 20K	6-		
						CA1031006	A, 12. 5K	6-		
						CA1031007	B, 25K	6-		
						CA1031008	B, 20K	6-		
						CA1031009	B, 12. 5K	6-		
						CA1031010	C, 25K	6-		
						CA1031011	C, 20K	6-		
						CA1031012	C, 12. 5K	6-		
	PCB with Components					CS1292001	BS1, 25K			
	(W/O J4003 CONNECTOR, SHIELD CASE, SHIELD FRAME,					CS1292002	BS1, 20K	5-		
	SHIELD COVER, SPECIAL NUT(4pcs), STICK FINGER(3pcs))					CS1292003	BS1, 12. 5K	5-		
						CS1292004	A, 25K	6-		
						CS1292005	A, 20K	6-		
						CS1292006	A, 12. 5K	6-		
						CS1292007	B, 25K	6-		
						CS1292008	B, 20K	6-		
						CS1292009	B, 12. 5K	6-		
						CS1292010	C, 25K	6-		
						CS1292011	C, 20K	6-		
						CS1292012	C, 12. 5K	6-		
	Printed Circuit Board					F3380000				
C 4001	CHIP CAP.	0. 001uF	50V	B	GRM40B102M50PT	K22170805				
C 4002	AL. ELECTRO. CAP.	100uF	25V		25V101M6X11TR5	K46140005				
C 4003	AL. ELECTRO. CAP.	100uF	25V		25V101M6X11TR5	K46140005				
C 4004	CHIP CAP.	0. 001uF	50V	B	GRM40B102M50PT	K22170805				
C 4005	CHIP CAP.	0. 001uF	50V	B	GRM40B102M50PT	K22170805				
C 4006	CHIP CAP.	0. 001uF	50V	B	GRM40B102M50PT	K22170805				
C 4007	CHIP CAP.	0. 001uF	50V	B	GRM40B102M50PT	K22170805				
C 4008	CHIP CAP.	0. 001uF	50V	B	GRM40B102M50PT	K22170805				
C 4009	CHIP CAP.	56pF	50V	CH	GRM40CH560J50PT	K22170229	TYP A	6-		
C 4009	CHIP CAP.	22pF	50V	CH	GRM40CH220J50PT	K22170219	TYP B	6-		
C 4009	CHIP CAP.	22pF	50V	CH	GRM40CH220J50PT	K22170219	TYP BS1			
C 4009	CHIP CAP.	18pF	50V	CH	GRM40CH180J50PT	K22170217	TYP C	6-		
C 4010	CHIP CAP.	0. 001uF	50V	B	GRM40B102M50PT	K22170805				
C 4011	CHIP CAP.	0. 001uF	50V	B	GRM40B102M50PT	K22170805				
C 4012	CHIP CAP.	22pF	50V	CH	GRM40CH220J50PT	K22170219	TYP A	6-		
C 4012	CHIP CAP.	22pF	50V	CH	GRM40CH220J50PT	K22170219	TYP B	6-		
C 4012	CHIP CAP.	18pF	50V	CH	GRM40CH180J50PT	K22170217	TYP BS1			
C 4012	CHIP CAP.	18pF	50V	CH	GRM40CH180J50PT	K22170217	TYP C	6-		
C 4013	AL. ELECTRO. CAP.	100uF	25V		25V101M6X11TR5	K46140005				
C 4014	AL. ELECTRO. CAP.	100uF	25V		25V101M6X11TR5	K46140005				
C 4015	CHIP CAP.	270pF	50V	CH	GRM40CH271J50PT	K22170245	TYP A	6-		
C 4015	CHIP CAP.	220pF	50V	CH	GRM40CH221J50PT	K22170243	TYP B	6-		
C 4015	CHIP CAP.	220pF	50V	CH	GRM40CH221J50PT	K22170243	TYP BS1			
C 4015	CHIP CAP.	220pF	50V	CH	GRM40CH221J50PT	K22170243	TYP C	6-		

REF.	DESCRIPTION	VALUE	WV	TOL.	MFGR'S DESIG	YAESU P/N	VERS.	LOT.	LAY	ADR
C 4016	CHIP CAP.	18pF	50V	CH	GRM40CH180J50PT	K22170217	TYP A	6-		
C 4016	CHIP CAP.	12pF	50V	CH	GRM40CH120J50PT	K22170213	TYP B	6-		
C 4016	CHIP CAP.	12pF	50V	CH	GRM40CH120J50PT	K22170213	TYP BS1			
C 4016	CHIP CAP.	12pF	50V	CH	GRM40CH120J50PT	K22170213	TYP C	6-		
C 4017	CHIP CAP.	1pF	50V	CK	GRM40CK010C50PT	K22170202	TYP A	6-		
C 4017	CHIP CAP.	0.5pF	50V	CK	GRM40CK0R5C50PT	K22170201	TYP B	6-		
C 4017	CHIP CAP.	0.5pF	50V	CK	GRM40CK0R5C50PT	K22170201	TYP BS1			
C 4017	CHIP CAP.	0.5pF	50V	CK	GRM40CK0R5C50PT	K22170201	TYP C	6-		
C 4018	CHIP CAP.	0.001uF	50V	B	GRM40B102M50PT	K22170805				
C 4019	CHIP CAP.	1pF	50V	CK	GRM40CK010C50PT	K22170202	TYP A	6-		
C 4019	CHIP CAP.	2pF	50V	CK	GRM40CK020C50PT	K22170203	TYP B	6-		
C 4019	CHIP CAP.	2pF	50V	CK	GRM40CK020C50PT	K22170203	TYP BS1			
C 4019	CHIP CAP.	2pF	50V	CK	GRM40CK020C50PT	K22170203	TYP C	6-		
C 4020	CHIP CAP.	0.001uF	50V	B	GRM40B102M50PT	K22170805				
C 4021	CHIP CAP.	33pF	50V	CH	GRM40CH330J50PT	K22170223	TYP A	6-		
C 4021	CHIP CAP.	22pF	50V	CH	GRM40CH220J50PT	K22170219	TYP B	6-		
C 4021	CHIP CAP.	22pF	50V	CH	GRM40CH220J50PT	K22170219	TYP BS1			
C 4021	CHIP CAP.	22pF	50V	CH	GRM40CH220J50PT	K22170219	TYP C	6-		
C 4022	TANTALUM CHIP CAP.	4.7uF	10V		TESVB21A475M8R	K78100010				
C 4023	CHIP CAP.	27pF	50V	CH	GRM40CH270J50PT	K22170221	TYP A	6-		
C 4023	CHIP CAP.	22pF	50V	CH	GRM40CH220J50PT	K22170219	TYP B	6-		
C 4023	CHIP CAP.	18pF	50V	CH	GRM40CH180J50PT	K22170217	TYP BS1			
C 4023	CHIP CAP.	18pF	50V	CH	GRM40CH180J50PT	K22170217	TYP C	6-		
C 4024	CHIP CAP.	0.001uF	50V	B	GRM40B102M50PT	K22170805				
C 4025	CHIP CAP.	0.001uF	50V	B	GRM40B102M50PT	K22170805				
C 4026	TANTALUM CHIP CAP.	4.7uF	10V		TESVB21A475M8R	K78100010				
C 4027	CHIP CAP.	0.001uF	50V	B	GRM40B102M50PT	K22170805				
C 4028	CHIP CAP.	0.001uF	50V	B	GRM40B102M50PT	K22170805				
C 4029	CHIP CAP.	0.001uF	50V	B	GRM40B102M50PT	K22170805				
C 4030	CHIP CAP.	100pF	50V	CH	GRM40CH101J50PT	K22170235				
C 4031	CHIP CAP.	0.01uF	50V	B	GRM40B103M50PT	K22170817				
C 4032	CHIP CAP.	0.001uF	50V	B	GRM40B102M50PT	K22170805				
C 4033	CHIP CAP.	18pF	50V	CH	GRM40CH180J50PT	K22170217				
C 4034	CHIP CAP.	0.001uF	50V	B	GRM40B102M50PT	K22170805				
C 4035	TANTALUM CHIP CAP.	4.7uF	10V		TESVB21A475M8R	K78100010				
C 4036	CHIP CAP.	0.001uF	50V	B	GRM40B102M50PT	K22170805				
C 4037	CHIP CAP.	0.001uF	50V	B	GRM40B102M50PT	K22170805				
C 4038	FILM CAP.	0.01uF	16V		ECHU1C103JB5	K57120007				
C 4039	CHIP CAP.	0.001uF	50V	B	GRM40B102M50PT	K22170805				
C 4040	CHIP CAP.	3pF	50V	CJ	GRM40CJ030C50PT	K22170204				
C 4041	FILM CAP.	0.0047uF	16V		ECHU1C472JB5	K57120003				
C 4042	CHIP CAP.	0.001uF	50V	B	GRM40B102M50PT	K22170805				
C 4043	CHIP CAP.	12pF	50V	CH	GRM40CH120J50PT	K22170213	TYP A	6-		
C 4043	CHIP CAP.	8pF	50V	CH	GRM40CH080D50PT	K22170209	TYP B	6-		
C 4043	CHIP CAP.	7pF	50V	CH	GRM40CH070D50PT	K22170208	TYP BS1			
C 4043	CHIP CAP.	7pF	50V	CH	GRM40CH070D50PT	K22170208	TYP C	6-		
C 4045	CHIP CAP.	22pF	50V	CH	GRM40CH220J50PT	K22170219				
C 4046	CHIP CAP.	2pF	50V	CK	GRM40CK020C50PT	K22170203	TYP A	6-		
C 4046	CHIP CAP.	1pF	50V	CK	GRM40CK010C50PT	K22170202	TYP B	6-		
C 4046	CHIP CAP.	1pF	50V	CK	GRM40CK010C50PT	K22170202	TYP BS1			
C 4046	CHIP CAP.	1pF	50V	CK	GRM40CK010C50PT	K22170202	TYP C	6-		
C 4047	TANTALUM CHIP CAP.	0.33uF	35V		TESVA1V334M1-8R	K78160028				
C 4049	CHIP CAP.	0.001uF	50V	B	GRM40B102M50PT	K22170805				
C 4050	CHIP CAP.	2pF	50V	CK	GRM40CK020C50PT	K22170203				

REF.	DESCRIPTION	VALUE	WV	TOL.	MFGR'S DESIG	YAESU P/N	VERS.	LOT.	LAY	ADR
C 4051	CHIP CAP.	100pF	50V	CH	GRM40CH101J50PT	K22170235				
C 4052	CHIP CAP.	0.001uF	50V	B	GRM40B102M50PT	K22170805				
C 4054	CHIP CAP.	18pF	50V	CH	GRM40CH180J50PT	K22170217	TYP A	6-		
C 4054	CHIP CAP.	12pF	50V	CH	GRM40CH120J50PT	K22170213	TYP B	6-		
C 4054	CHIP CAP.	12pF	50V	CH	GRM40CH120J50PT	K22170213	TYP BS1			
C 4054	CHIP CAP.	12pF	50V	CH	GRM40CH120J50PT	K22170213	TYP C	6-		
C 4055	CHIP CAP.	0.001uF	50V	B	GRM40B102M50PT	K22170805				
C 4056	CHIP CAP.	33pF	50V	CH	GRM40CH330J50PT	K22170223				
C 4057	CHIP CAP.	120pF	50V	CH	GRM40CH121J50PT	K22170237	TYP A	6-		
C 4057	CHIP CAP.	120pF	50V	CH	GRM40CH121J50PT	K22170237	TYP B	6-		
C 4057	CHIP CAP.	100pF	50V	CH	GRM40CH101J50PT	K22170235	TYP BS1			
C 4057	CHIP CAP.	100pF	50V	CH	GRM40CH101J50PT	K22170235	TYP C	6-		
C 4059	CHIP CAP.	0.001uF	50V	B	GRM40B102M50PT	K22170805				
C 4060	CHIP CAP.	39pF	50V	CH	GRM40CH390J50PT	K22170225				
C 4061	CHIP CAP.	47pF	50V	CH	GRM40CH470J50PT	K22170227	TYP A	6-		
C 4061	CHIP CAP.	22pF	50V	CH	GRM40CH220J50PT	K22170219	TYP B	6-		
C 4061	CHIP CAP.	18pF	50V	CH	GRM40CH180J50PT	K22170217	TYP BS1			
C 4061	CHIP CAP.	18pF	50V	CH	GRM40CH180J50PT	K22170217	TYP C	6-		
C 4062	CHIP CAP.	3pF	50V	CJ	GRM40CJ030C50PT	K22170204				
C 4063	CHIP CAP.	2pF	50V	CK	GRM40CK020C50PT	K22170203				
C 4065	CHIP CAP.	0.001uF	50V	B	GRM40B102M50PT	K22170805				
C 4066	CHIP CAP.	15pF	50V	CH	GRM40CH150J50PT	K22170215				
C 4067	CHIP CAP.	22pF	50V	CH	GRM40CH220J50PT	K22170219	TYP A	6-		
C 4067	CHIP CAP.	22pF	50V	CH	GRM40CH220J50PT	K22170219	TYP B	6-		
C 4067	CHIP CAP.	18pF	50V	CH	GRM40CH180J50PT	K22170217	TYP BS1			
C 4067	CHIP CAP.	18pF	50V	CH	GRM40CH180J50PT	K22170217	TYP C	6-		
C 4068	CHIP CAP.	12pF	50V	CH	GRM40CH120J50PT	K22170213				
C 4069	CHIP CAP.	0.001uF	50V	B	GRM40B102M50PT	K22170805				
C 4070	CHIP CAP.	0.001uF	50V	B	GRM40B102M50PT	K22170805				
C 4071	AL. ELECTRO. CAP.	100uF	25V		25V101M6X11TR5	K46140005				
C 4072	TANTALUM CHIP CAP.	47uF	10V		TEMSVD21A476M12R	K78100019				
C 4073	AL. ELECTRO. CAP.	100uF	25V		25V101M6X11TR5	K46140005				
C 4074	CHIP CAP.	56pF	50V	CH	GRM40CH560J50PT	K22170229				
C 4075	CHIP CAP.	15pF	50V	CH	GRM40CH150J50PT	K22170215				
C 4076	CHIP CAP.	0.1uF	25V	B	GRM40B104M25PT	K22140811				
C 4077	CHIP CAP.	0.047uF	50V	B	GRM40B473M50PT	K22170823				
C 4078	CHIP CAP.	0.001uF	50V	B	GRM40B102M50PT	K22170805				
C 4079	CHIP CAP.	27pF	50V	CH	GRM40CH270J50PT	K22170221				
C 4080	CHIP CAP.	82pF	50V	CH	GRM40CH820J50PT	K22170233				
C 4081	CHIP CAP.	120pF	50V	CH	GRM40CH121J50PT	K22170237				
C 4082	CHIP CAP.	120pF	50V	CH	GRM40CH121J50PT	K22170237	SEP 12.5	5-		
C 4082	CHIP CAP.	82pF	50V	CH	GRM40CH820J50PT	K22170233	SEP 20	5-		
C 4082	CHIP CAP.	82pF	50V	CH	GRM40CH820J50PT	K22170233	SEP 25			
C 4083	AL. ELECTRO. CAP.	100uF	25V		25V101M6X11TR5	K46140005				
C 4084	CHIP CAP.	0.1uF	25V	B	GRM40B104M25PT	K22140811				
C 4085	CHIP CAP.	68pF	50V	CH	GRM40CH680J50PT	K22170231				
C 4086	AL. ELECTRO. CAP.	100uF	25V		25V101M6X11TR5	K46140005				
C 4087	CHIP CAP.	0.047uF	50V	B	GRM40B473M50PT	K22170823				
C 4088	CHIP CAP.	0.047uF	50V	B	GRM40B473M50PT	K22170823				
C 4089	TANTALUM CHIP CAP.	0.33uF	35V		TESVA1V334M1-8R	K78160028				
C 4090	CHIP CAP.	0.01uF	50V	B	GRM40B103M50PT	K22170817				
C 4091	CHIP CAP.	0.001uF	50V	B	GRM40B102M50PT	K22170805				
C 4092	CHIP CAP.	0.047uF	50V	B	GRM40B473M50PT	K22170823				
C 4093	CHIP CAP.	8pF	50V	CH	GRM40CH080D50PT	K22170209	SEP 12.5	5-		

REF.	DESCRIPTION	VALUE	WV	TOL.	MFGR'S DESIG	YAESU P/N	VERS.	LOT.	LAY	ADR
C 4093	CHIP CAP.	15pF	50V	CH	GRM40CH150J50PT	K22170215	SEP 20	5-		
C 4093	CHIP CAP.	15pF	50V	CH	GRM40CH150J50PT	K22170215	SEP 25			
C 4094	CHIP CAP.	0.047uF	50V	B	GRM40B473M50PT	K22170823				
C 4095	CHIP CAP.	0.047uF	50V	B	GRM40B473M50PT	K22170823				
C 4096	CHIP CAP.	22pF	50V	CH	GRM40CH220J50PT	K22170219				
C 4097	CHIP CAP.	18pF	50V	CH	GRM40CH180J50PT	K22170217	SEP 12.5	5-		
C 4097	CHIP CAP.	9pF	50V	CH	GRM40CH090D50PT	K22170210	SEP 20	5-		
C 4097	CHIP CAP.	8pF	50V	CH	GRM40CH080D50PT	K22170209	SEP 25			
C 4098	CHIP CAP.	330pF	50V	CH	GRM40CH331J50PT	K22170247				
C 4099	CHIP CAP.	0.001uF	50V	B	GRM40B102M50PT	K22170805				
C 4100	CHIP CAP.	0.047uF	50V	B	GRM40B473M50PT	K22170823				
C 4101	CHIP CAP.	0.001uF	50V	B	GRM40B102M50PT	K22170805				
C 4102	CHIP CAP.	0.047uF	50V	B	GRM40B473M50PT	K22170823				
C 4103	CHIP CAP.	8pF	50V	CH	GRM40CH080D50PT	K22170209	SEP 12.5	5-		
C 4103	CHIP CAP.	15pF	50V	CH	GRM40CH150J50PT	K22170215	SEP 20	5-		
C 4103	CHIP CAP.	15pF	50V	CH	GRM40CH150J50PT	K22170215	SEP 25			
C 4104	CHIP CAP.	0.01uF	50V	B	GRM40B103M50PT	K22170817				
C 4105	CHIP CAP.	0.001uF	50V	B	GRM40B102M50PT	K22170805				
C 4106	CHIP CAP.	0.0022uF	50V	B	GRM40B222M50PT	K22170809				
C 4107	CHIP CAP.	180pF	50V	CH	GRM40CH181J50PT	K22170241				
C 4108	CHIP CAP.	0.001uF	50V	B	GRM40B102M50PT	K22170805				
C 4109	CHIP CAP.	0.047uF	50V	B	GRM40B473M50PT	K22170823				
C 4110	TANTALUM CHIP CAP.	4.7uF	10V		TESVB21A475M8R	K78100010				
C 4113	CHIP CAP.	0.001uF	50V	B	GRM40B102M50PT	K22170805				
C 4114	TANTALUM CHIP CAP.	4.7uF	10V		TESVB21A475M8R	K78100010				
C 4115	TANTALUM CHIP CAP.	4.7uF	10V		TESVB21A475M8R	K78100010				
C 4116	TANTALUM CHIP CAP.	4.7uF	10V		TESVB21A475M8R	K78100010				
C 4117	CHIP CAP.	0.001uF	50V	B	GRM40B102M50PT	K22170805				
C 4118	CHIP CAP.	0.047uF	50V	B	GRM40B473M50PT	K22170823				
C 4119	CHIP CAP.	0.01uF	50V	B	GRM40B103M50PT	K22170817				
C 4120	TANTALUM CAP.	4.7uF	16V		TPDN1C4R7M8S (MX0)	K76120017				
C 4121	CERAMIC CAP.	0.047uF	50V	F	DD110F473Z50	K13179009				
C 4122	CHIP CAP.	0.001uF	50V	B	GRM40B102M50PT	K22170805				
CD4001	CERAMIC DISC				CDB455C16	H7900740				
CF4001	CERAMIC FILTER				CFW455G	H3900392	SEP 12.5	5-		
CF4001	CERAMIC FILTER				CFW455F	H3900202	SEP 20	5-		
CF4001	CERAMIC FILTER				CFW455E	H3900200	SEP 25			
D 4001	DIODE				1SS226 TE85R	G2070003				
D 4002	DIODE				HSU277	G2070118				
D 4003	DOUBLE-BALANCED-MIXER				DBM0135	Q7000183				
D 4004	DIODE				1SS226 TE85R	G2070003				
D 4005	DIODE				1SS226 TE85R	G2070003				
J 4001	CONNECTOR				SC25-10WL	P0090717				
J 4002	CONNECTOR				SC25-02WL	P0090712				
J 4003	CONNECTOR				TMP-J01X-V6	P1090210				
J 4004	CONNECTOR				BNC-RM-1 (W/O LUG)	P1090773A				
L 4001	CHIP COIL	10uH			LQH3N100K02M00-	L1690087				
L 4002	COIL				S7-M1 R12-M944D	L0190205				
L 4003	COIL				S7-M1 R12-M944D	L0190205				

REF.	DESCRIPTION	VALUE	WV	TOL.	MFGR'S DESIG	YAESU P/N	VER.S.	LOT.	LAY	ADR
L 4004	M. RFC	1uH			FLC32T-1R0K	L1690203				
L 4005	COIL				S7-M1 R12-M944D	L0190205				
L 4006	M RFC	1uH			FLC32T-1R0K	L1690203				
L 4007	CHIP COIL	10uH			LQH3N100K02M00-	L1690087				
L 4008	CHIP COIL	0.082uH			LQN2A82NM	L1690010				
L 4009	CHIP COIL	0.01uH			LQN2A10NM	L1690001				
L 4010	M. RFC	1uH			FLC32T-1R0K	L1690203				
L 4011	COIL				S7-M1 R12-M944D	L0190205				
L 4012	CHIP COIL	0.082uH			LQN2A82NM	L1690010				
L 4013	COIL				S7-M1 R12-M944D	L0190205				
L 4014	CHIP COIL	0.056uH			LQN2A56NM	L1690008				
L 4015	COIL				S7-M1 R12-M944D	L0190205				
L 4016	CHIP COIL	0.082uH			LQN2A82NM	L1690010				
L 4017	CHIP COIL	0.18uH			LQN2AR18K	L1690014				
L 4018	M. RFC	1uH			FLC32T-1R0K	L1690203				
L 4019	M. RFC	1uH			FLC32T-1R0K	L1690203				
L 4020	M. RFC	1uH			FLC32T-1R0K	L1690203				
L 4021	CHIP COIL	0.056uH			LQN2A56NM	L1690008				
L 4022	M. RFC	1uH			FLC32T-1R0K	L1690203				
L 4023	M. RFC	1uH			FLC32T-1R0K	L1690203				
L 4024	CHIP COIL	0.18uH			LQN2AR18K	L1690014				
L 4025	M. RFC	1uH			FLC32T-1R0K	L1690203				
Q 4001	IC				TA78L05F TE12R	G1091014				
Q 4002	IC				AN6541	G1091146				
Q 4003	TRANSISTOR				DTA143EK T146	G3070010				
Q 4004	TRANSISTOR				2SA1179M5-TA	G3111797E				
Q 4005	TRANSISTOR				2SA1179M5-TA	G3111797E				
Q 4006	TRANSISTOR				DTC115GK T146	G3070092				
Q 4007	TRANSISTOR				2SA1179M5-TA	G3111797E				
Q 4008	TRANSISTOR				DTC144EK T147	G3070033				
Q 4009	TRANSISTOR				DTA143EK T146	G3070010				
Q 4010	FET				3SK131-T2B V12	G4801317B				
Q 4011	TRANSISTOR				2SC3357-T2 RF	G3333577F				
Q 4012	TRANSISTOR				2SC3356-T2B R24	G3333567D				
Q 4014	IC				MC145190FER	G1091621				
Q 4015	TRANSISTOR				2SC3356-T2B R24	G3333567D				
Q 4016	IC				NJM2902M-T2	G1090908				
Q 4017	IC				MC3372ML	G1091108				
Q 4018	TRANSISTOR				2SC3356-T2B R24	G3333567D				
Q 4019	TRANSISTOR				DTC144EK T147	G3070033	SEP 20			5-
Q 4019	TRANSISTOR				DTC144EK T147	G3070033	SEP 25			
Q 4020	TRANSISTOR				2SC2812L6-TA	G3328127F				
Q 4021	TRANSISTOR				2SA1179M6-TA	G3111797F	SEP 20			5-
Q 4021	TRANSISTOR				2SA1179M6-TA	G3111797F	SEP 25			
Q 4022	TRANSISTOR				DTC144EK T147	G3070033				
Q 4023	TRANSISTOR				2SC2812L6-TA	G3328127F				
Q 4024	TRANSISTOR				2SC3356-T2B R24	G3333567D				
Q 4025	TRANSISTOR				2SC2812L6-TA	G3328127F				
Q 4026	TRANSISTOR				2SC2812L6-TA	G3328127F				
Q 4027	TRANSISTOR				DTC144EK T147	G3070033				
R 4002	CHIP RES.	0	1/10W	5%	RMC1/10T 000J	J24205000	SEP 12.5			5-
R 4002	CHIP RES.	0	1/10W	5%	RMC1/10T 000J	J24205000	SEP 20			5-

REF.	DESCRIPTION	VALUE	WV	TOL.	MFGR'S DESIG	YAESU P/N	VERS.	LOT.	LAY	ADR
R 4002	CHIP RES.	0	1/10W	5%	RMC1/10T 000J	J24205000	SEP 25			
R 4004	CHIP RES.	4.7K	1/10W	5%	RMC1/10T 472J	J24205472				
R 4005	CHIP RES.	1.8K	1/10W	5%	RMC1/10T 182J	J24205182				
R 4006	CHIP RES.	47K	1/10W	5%	RMC1/10T 473J	J24205473				
R 4007	CHIP RES.	47K	1/10W	5%	RMC1/10T 473J	J24205473				
R 4008	CHIP RES.	47K	1/10W	5%	RMC1/10T 473J	J24205473				
R 4009	CHIP RES.	560	1/10W	5%	RMC1/10T 561J	J24205561				
R 4010	CHIP RES.	4.7K	1/10W	5%	RMC1/10T 472J	J24205472				
R 4011	CHIP RES.	4.7K	1/10W	5%	RMC1/10T 472J	J24205472				
R 4012	CHIP RES.	1.5K	1/10W	5%	RMC1/10T 152J	J24205152				
R 4013	CHIP RES.	12K	1/10W	5%	RMC1/10T 123J	J24205123				
R 4014	CHIP RES.	100	1/10W	5%	RMC1/10T 101J	J24205101				
R 4015	CHIP RES.	3.3K	1/10W	5%	RMC1/10T 332J	J24205332				
R 4016	CHIP RES.	47	1/10W	5%	RMC1/10T 470J	J24205470				
R 4017	CHIP RES.	270	1/10W	5%	RMC1/10T 271J	J24205271				
R 4018	CHIP RES.	4.7K	1/10W	5%	RMC1/10T 472J	J24205472				
R 4019	CHIP RES.	18	1/10W	5%	RMC1/10T 180J	J24205180				
R 4020	CHIP RES.	560	1/10W	5%	RMC1/10T 561J	J24205561				
R 4021	CHIP RES.	470	1/10W	5%	RMC1/10T 471J	J24205471				
R 4022	CHIP RES.	2.2K	1/10W	5%	RMC1/10T 222J	J24205222				
R 4023	CHIP RES.	1.5K	1/10W	5%	RMC1/10T 152J	J24205152				
R 4024	CHIP RES.	270	1/10W	5%	RMC1/10T 271J	J24205271				
R 4025	CHIP RES.	150	1/10W	5%	RMC1/10T 151J	J24205151				
R 4026	CHIP RES.	220	1/10W	5%	RMC1/10T 221J	J24205221				
R 4027	CHIP RES.	56	1/10W	5%	RMC1/10T 560J	J24205560				
R 4028	CHIP RES.	8.2K	1/10W	5%	RMC1/10T 822J	J24205822				
R 4029	CHIP RES.	1K	1/10W	5%	RMC1/10T 102J	J24205102				
R 4030	CHIP RES.	560	1/10W	5%	RMC1/10T 561J	J24205561				
R 4031	CHIP RES.	3.3K	1/10W	5%	RMC1/10T 332J	J24205332				
R 4032	CHIP RES.	8.2K	1/10W	5%	RMC1/10T 822J	J24205822				
R 4033	CHIP RES.	18	1/10W	5%	RMC1/10T 180J	J24205180				
R 4035	CHIP RES.	47	1/10W	5%	RMC1/10T 470J	J24205470				
R 4036	CHIP RES.	560	1/10W	5%	RMC1/10T 561J	J24205561				
R 4037	CHIP RES.	4.7K	1/10W	5%	RMC1/10T 472J	J24205472				
R 4038	CHIP RES.	18	1/10W	5%	RMC1/10T 180J	J24205180				
R 4041	CHIP RES.	18	1/10W	5%	RMC1/10T 180J	J24205180				
R 4042	CHIP RES.	47K	1/10W	5%	RMC1/10T 473J	J24205473				
R 4044	CHIP RES.	220K	1/10W	5%	RMC1/10T 224J	J24205224				
R 4045	CHIP RES.	10K	1/10W	5%	RMC1/10T 103J	J24205103				
R 4047	CHIP RES.	220	1/10W	5%	RMC1/10T 221J	J24205221				
R 4048	CHIP RES.	10K	1/10W	5%	RMC1/10T 103J	J24205103				
R 4049	CHIP RES.	270	1/10W	5%	RMC1/10T 271J	J24205271				
R 4050	CHIP RES.	270	1/10W	5%	RMC1/10T 271J	J24205271				
R 4051	CHIP RES.	18	1/10W	5%	RMC1/10T 180J	J24205180				
R 4052	CHIP RES.	270	1/10W	5%	RMC1/10T 271J	J24205271				
R 4053	CHIP RES.	18	1/10W	5%	RMC1/10T 180J	J24205180				
R 4054	CHIP RES.	270	1/10W	5%	RMC1/10T 271J	J24205271				
R 4055	CHIP RES.	560	1/10W	5%	RMC1/10T 561J	J24205561				
R 4056	CHIP RES.	47	1/10W	5%	RMC1/10T 470J	J24205470				
R 4057	CHIP RES.	2.2K	1/10W	5%	RMC1/10T 222J	J24205222	SEP 12.5	5-		
R 4057	CHIP RES.	1.5K	1/10W	5%	RMC1/10T 152J	J24205152	SEP 20	5-		
R 4057	CHIP RES.	1.2K	1/10W	5%	RMC1/10T 122J	J24205122	SEP 25			
R 4058	CHIP RES.	4.7K	1/10W	5%	RMC1/10T 472J	J24205472				
R 4059	CHIP RES.	4.7K	1/10W	5%	RMC1/10T 472J	J24205472				

REF.	DESCRIPTION	VALUE	WV	TOL.	MFGR'S DESIG	YAESU P/N	VERS.	LOT.	LAY	ADR
R 4060	CHIP RES.	4.7K	1/10W	5%	RMC1/10T 472J	J24205472				
R 4061	CHIP RES.	47	1/10W	5%	RMC1/10T 470J	J24205470				
R 4062	CHIP RES.	470K	1/10W	5%	RMC1/10T 474J	J24205474				
R 4063	CHIP RES.	4.7K	1/10W	5%	RMC1/10T 472J	J24205472				
R 4064	CHIP RES.	47K	1/10W	5%	RMC1/10T 473J	J24205473				
R 4065	CHIP RES.	100	1/10W	5%	RMC1/10T 101J	J24205101				
R 4066	CHIP RES.	100K	1/10W	5%	RMC1/10T 104J	J24205104				
R 4067	CHIP RES.	1.8K	1/10W	5%	RMC1/10T 182J	J24205182				
R 4068	CHIP RES.	1.8K	1/10W	5%	RMC1/10T 182J	J24205182				
R 4069	CHIP RES.	220K	1/10W	5%	RMC1/10T 224J	J24205224				
R 4070	CHIP RES.	3.3K	1/10W	5%	RMC1/10T 332J	J24205332				
R 4071	CHIP RES.	47	1/10W	5%	RMC1/10T 470J	J24205470	SEP 12.5		5-	
R 4071	CHIP RES.	15	1/10W	5%	RMC1/10T 150J	J24205150	SEP 20		5-	
R 4071	CHIP RES.	15	1/10W	5%	RMC1/10T 150J	J24205150	SEP 25			
R 4072	CHIP RES.	56K	1/10W	5%	RMC1/10T 563J	J24205563				
R 4073	CHIP RES.	100	1/10W	5%	RMC1/10T 101J	J24205101				
R 4074	CHIP RES.	10	1/10W	5%	RMC1/10T 100J	J24205100				
R 4075	CHIP RES.	560	1/10W	5%	RMC1/10T 561J	J24205561	SEP 12.5		5-	
R 4075	CHIP RES.	560	1/10W	5%	RMC1/10T 561J	J24205561	SEP 20		5-	
R 4075	CHIP RES.	470	1/10W	5%	RMC1/10T 471J	J24205471	SEP 25			
R 4076	CHIP RES.	47K	1/10W	5%	RMC1/10T 473J	J24205473				
R 4077	CHIP RES.	10K	1/10W	5%	RMC1/10T 103J	J24205103	SEP 20		5-	
R 4077	CHIP RES.	10K	1/10W	5%	RMC1/10T 103J	J24205103	SEP 25			
R 4078	CHIP RES.	100K	1/10W	5%	RMC1/10T 104J	J24205104	SEP 20		5-	
R 4078	CHIP RES.	100K	1/10W	5%	RMC1/10T 104J	J24205104	SEP 25			
R 4079	CHIP RES.	560	1/10W	5%	RMC1/10T 561J	J24205561				
R 4080	CHIP RES.	2.2K	1/10W	5%	RMC1/10T 222J	J24205222				
R 4081	CHIP RES.	47K	1/10W	5%	RMC1/10T 473J	J24205473				
R 4083	CHIP RES.	680	1/10W	5%	RMC1/10T 681J	J24205681	SEP 12.5		5-	
R 4083	CHIP RES.	560	1/10W	5%	RMC1/10T 561J	J24205561	SEP 20		5-	
R 4083	CHIP RES.	560	1/10W	5%	RMC1/10T 561J	J24205561	SEP 25			
R 4084	CHIP RES.	10K	1/10W	5%	RMC1/10T 103J	J24205103	SEP 20		5-	
R 4084	CHIP RES.	10K	1/10W	5%	RMC1/10T 103J	J24205103	SEP 25			
R 4085	CHIP RES.	47K	1/10W	5%	RMC1/10T 473J	J24205473				
R 4087	CHIP RES.	560	1/10W	5%	RMC1/10T 561J	J24205561				
R 4088	CHIP RES.	82K	1/10W	5%	RMC1/10T 823J	J24205823				
R 4089	CHIP RES.	2.2K	1/10W	5%	RMC1/10T 222J	J24205222				
R 4090	CHIP RES.	4.7K	1/10W	5%	RMC1/10T 472J	J24205472				
R 4091	CHIP RES.	2.2K	1/10W	5%	RMC1/10T 222J	J24205222				
R 4092	CHIP RES.	33	1/10W	5%	RMC1/10T 330J	J24205330				
R 4093	CHIP RES.	2.2K	1/10W	5%	RMC1/10T 222J	J24205222				
R 4094	CHIP RES.	2.7K	1/10W	5%	RMC1/10T 272J	J24205272				
R 4095	CHIP RES.	3.9K	1/10W	5%	RMC1/10T 392J	J24205392				
R 4096	CHIP RES.	470	1/10W	5%	RMC1/10T 471J	J24205471				
R 4097	CHIP RES.	1K	1/10W	5%	RMC1/10T 102J	J24205102				
R 4098	CHIP RES.	3.9K	1/10W	5%	RMC1/10T 392J	J24205392				
R 4099	CHIP RES.	1.8K	1/10W	5%	RMC1/10T 182J	J24205182				
R 4100	CHIP RES.	3.3K	1/10W	5%	RMC1/10T 332J	J24205332				
R 4101	CHIP RES.	470	1/10W	5%	RMC1/10T 471J	J24205471				
R 4102	CHIP RES.	820	1/10W	5%	RMC1/10T 821J	J24205821				
R 4103	CHIP RES.	3.3K	1/10W	5%	RMC1/10T 332J	J24205332	SEP 12.5		5-	
R 4103	CHIP RES.	6.8K	1/10W	5%	RMC1/10T 682J	J24205682	SEP 20		5-	
R 4103	CHIP RES.	6.8K	1/10W	5%	RMC1/10T 682J	J24205682	SEP 25			
R 4104	CHIP RES.	1.5K	1/10W	5%	RMC1/10T 152J	J24205152	SEP 12.5		5-	

REF.	DESCRIPTION	VALUE	WV	TOL.	MFGR'S DESIG	YAESU P/N	VERS.	LOT.	LAY	ADR
R 4104	CHIP RES.	1.5K	1/10W	5%	RMC1/10T 152J	J24205152	SEP 20	5-		
R 4104	CHIP RES.	1.2K	1/10W	5%	RMC1/10T 122J	J24205122	SEP 25			
R 4105	CHIP RES.	2.2K	1/10W	5%	RMC1/10T 222J	J24205222				
R 4106	CHIP RES.	18K	1/10W	5%	RMC1/10T 183J	J24205183				
R 4107	CHIP RES.	0	1/10W	5%	RMC1/10T 000J	J24205000	SEP 20	5-		
R 4107	CHIP RES.	0	1/10W	5%	RMC1/10T 000J	J24205000	SEP 25			
R 4108	CHIP RES.	0	1/10W	5%	RMC1/10T 000J	J24205000	SEP 12.5	5-		
R 4109	CHIP RES.	0	1/10W	5%	RMC1/10T 000J	J24205000	SEP 20	5-		
R 4109	CHIP RES.	0	1/10W	5%	RMC1/10T 000J	J24205000	SEP 25			
R 4110	CHIP RES.	0	1/10W	5%	RMC1/10T 000J	J24205000	SEP 12.5	5-		
R 4111	CHIP RES.	33K	1/10W	5%	RMC1/10T 333J	J24205333				
R 4112	CHIP RES.	2.7K	1/10W	5%	RMC1/10T 272J	J24205272				
R 4113	CHIP RES.	470	1/10W	5%	RMC1/10T 471J	J24205471				
R 4114	CHIP RES.	100K	1/10W	5%	RMC1/10T 104J	J24205104				
R 4115	CHIP RES.	0	1/10W	5%	RMC1/10T 000J	J24205000				
R 4117	CHIP RES.	68K	1/10W	5%	RMC1/10T 683J	J24205683				
R 4118	CHIP RES.	3.3K	1/10W	5%	RMC1/10T 332J	J24205332				
R 4120	CHIP RES.	10	1/10W	5%	RMC1/10T 100J	J24205100				
R 4121	CHIP RES.	390	1/10W	5%	RMC1/10T 391J	J24205391	SEP 12.5	5-		
R 4122	CHIP RES.	0	1/10W	5%	RMC1/10T 000J	J24205000	SEP 12.5	5-		
T 4001	COIL				21.4M R12-L925A	L0022174	SEP 12.5	5-		
T 4001	COIL				21.4M R12-M943A	L0022219	SEP 20	5-		
T 4001	COIL				21.4M R12-M943A	L0022219	SEP 25			
T 4002	COIL				21.4M R12-L925A	L0022174	SEP 12.5	5-		
T 4002	COIL				21.4M R12-M943A	L0022219	SEP 20	5-		
T 4002	COIL				21.4M R12-M943A	L0022219	SEP 25			
TH4002	THERMISTOR				157-501-53009TP	G9090058	SEP 20	5-		
TH4002	THERMISTOR				157-501-53009TP	G9090058	SEP 25			
TH4003	THERMISTOR				157-501-53009TP	G9090058	SEP 12.5	5-		
VR4001	POT.	2K			EVN-DCAA03B23	J50784202				
X 4002	XTAL				GFS-720(60206)	H9500210				
X 4003	XTAL	22.055MHz			UM-1	H0102774				
XF4001	XTAL				21P8SBU-1	H1102138	SEP 12.5	5-		
XF4001	XTAL				21P12BU-1	H1102132	SEP 20	5-		
XF4001	XTAL				21P15BU-1	H1102137	SEP 25			
	LEAF SPRING					R0121430				
	SHIELD FRAME					R0147200				
	SHIELD COVER					R0147210				
	SHIELD CASE					R0519070A				
	XTAL HOLDER (3pcs)					R3129530				
	SPECIAL NUT (4pcs)					R6068570				
	STICK FINGER (2pcs)				97-505-01 2BLOCK	S5000159				