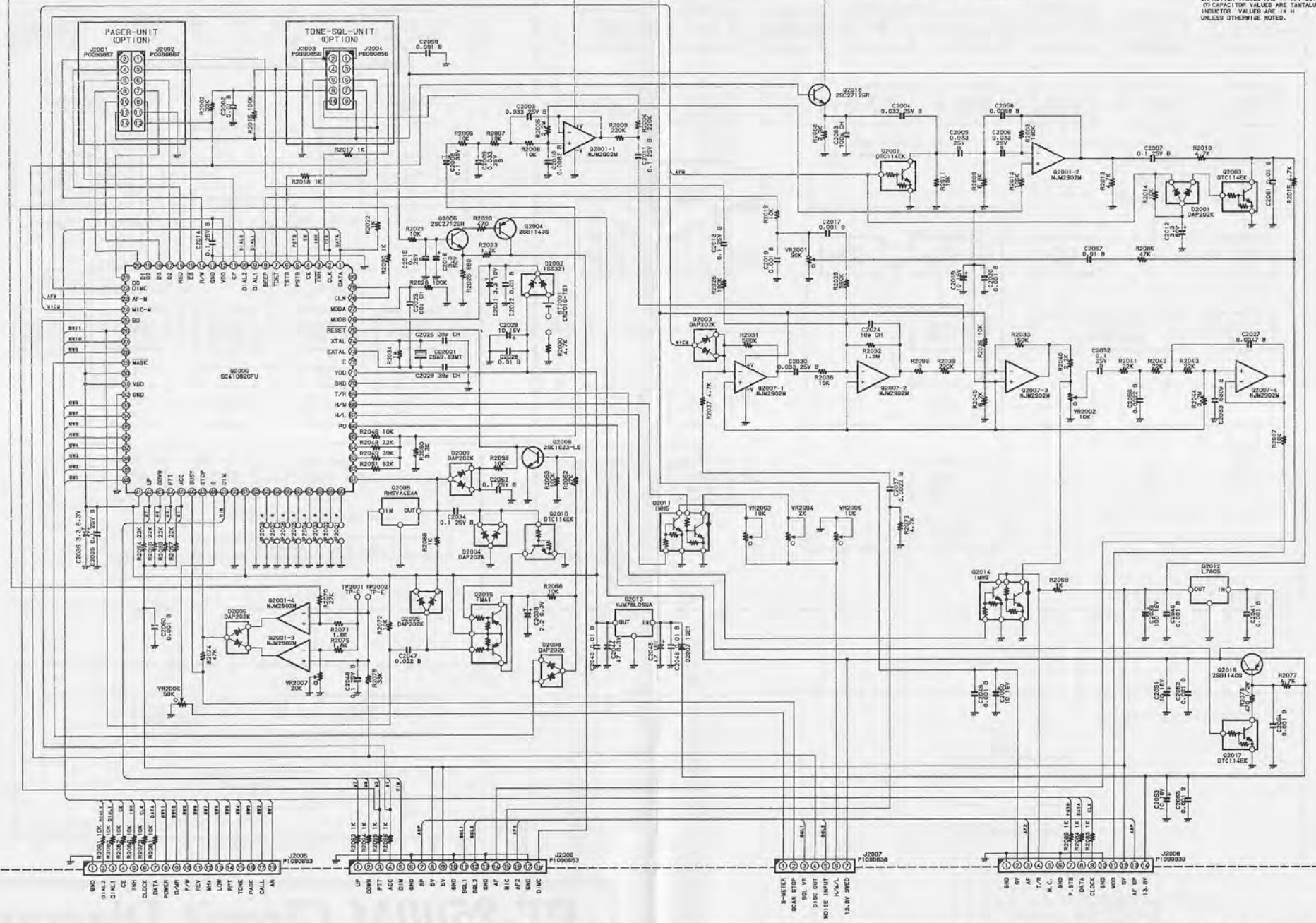


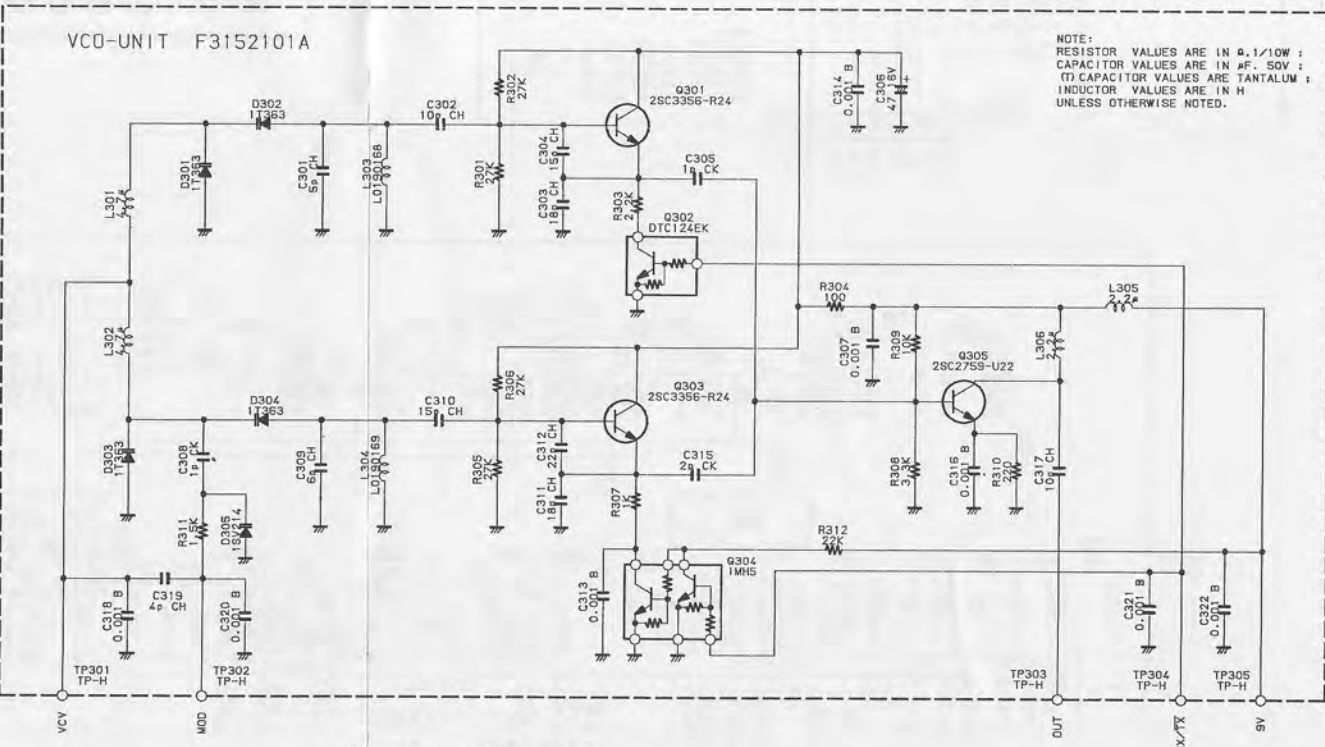
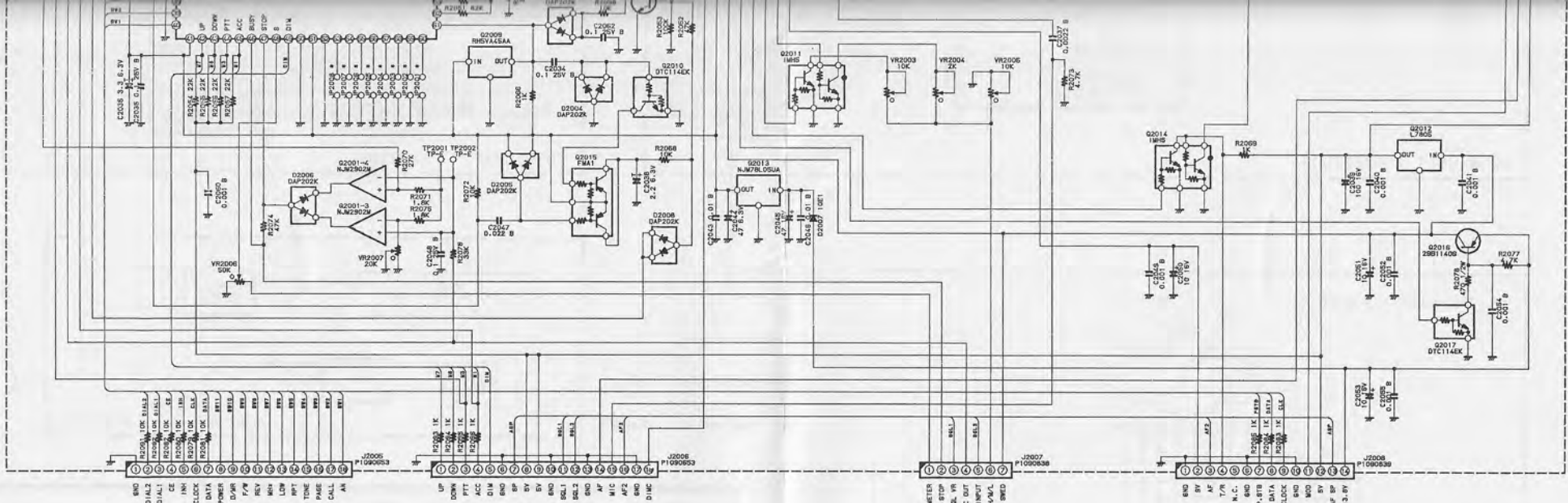
NOTE:  
RESISTOR VALUES ARE IN Ω, 1/10Ω ;  
CAPACITOR VALUES ARE IN μF, 50V ;  
() CAPACITOR VALUES ARE TANTALUM ;  
INDUCTOR VALUES ARE IN H  
UNLESS OTHERWISE NOTED.



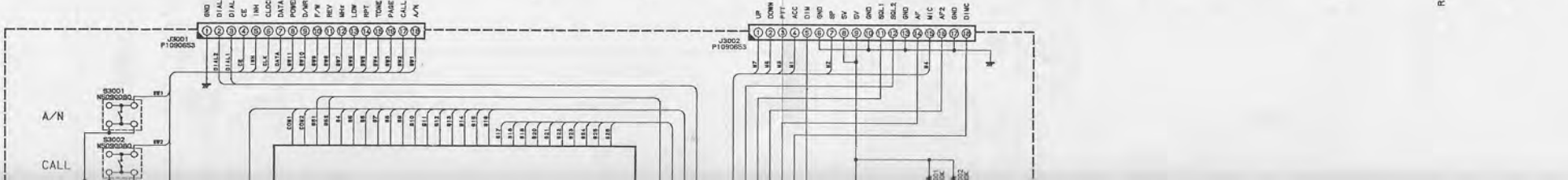
VCO-UNIT F3152101A



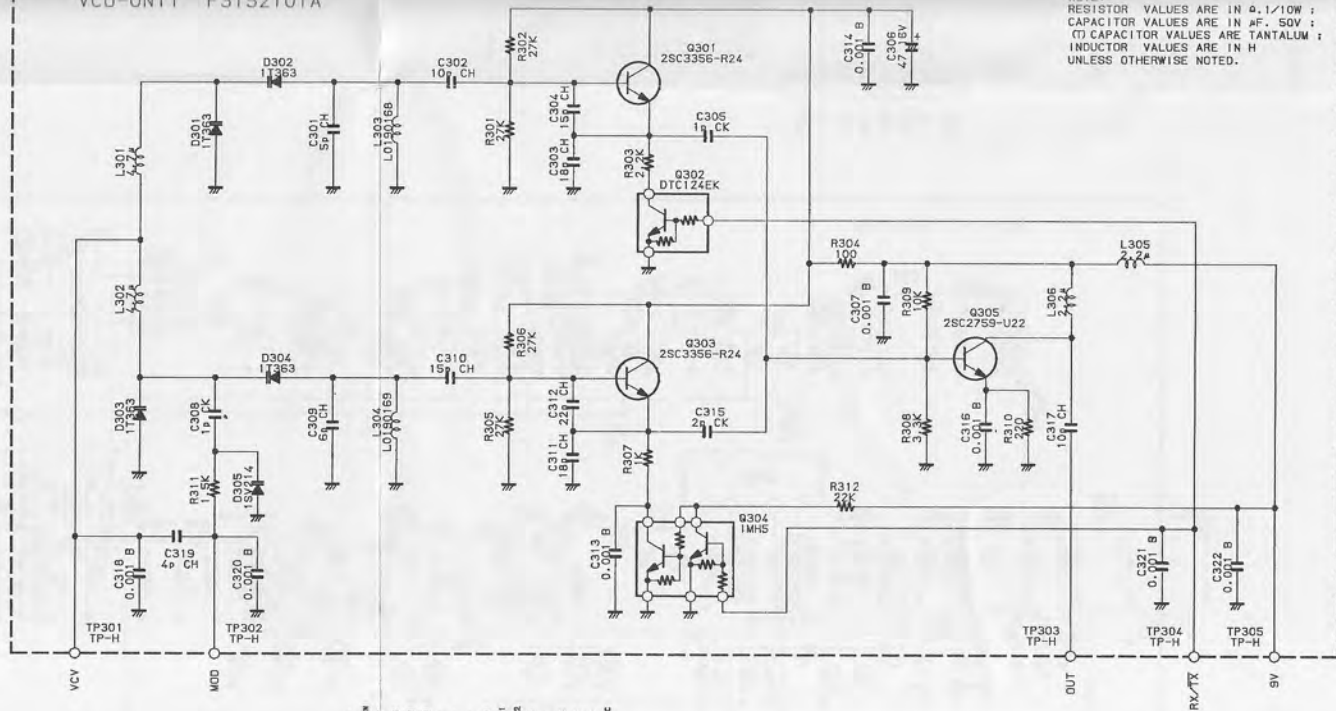
NOTE:  
RESISTOR VALUES ARE IN Ω, 1/10Ω ;  
CAPACITOR VALUES ARE IN μF, 50V ;  
( ) CAPACITOR VALUES ARE TANTALUM ;  
INDUCTOR VALUES ARE IN H  
UNLESS OTHERWISE NOTED.



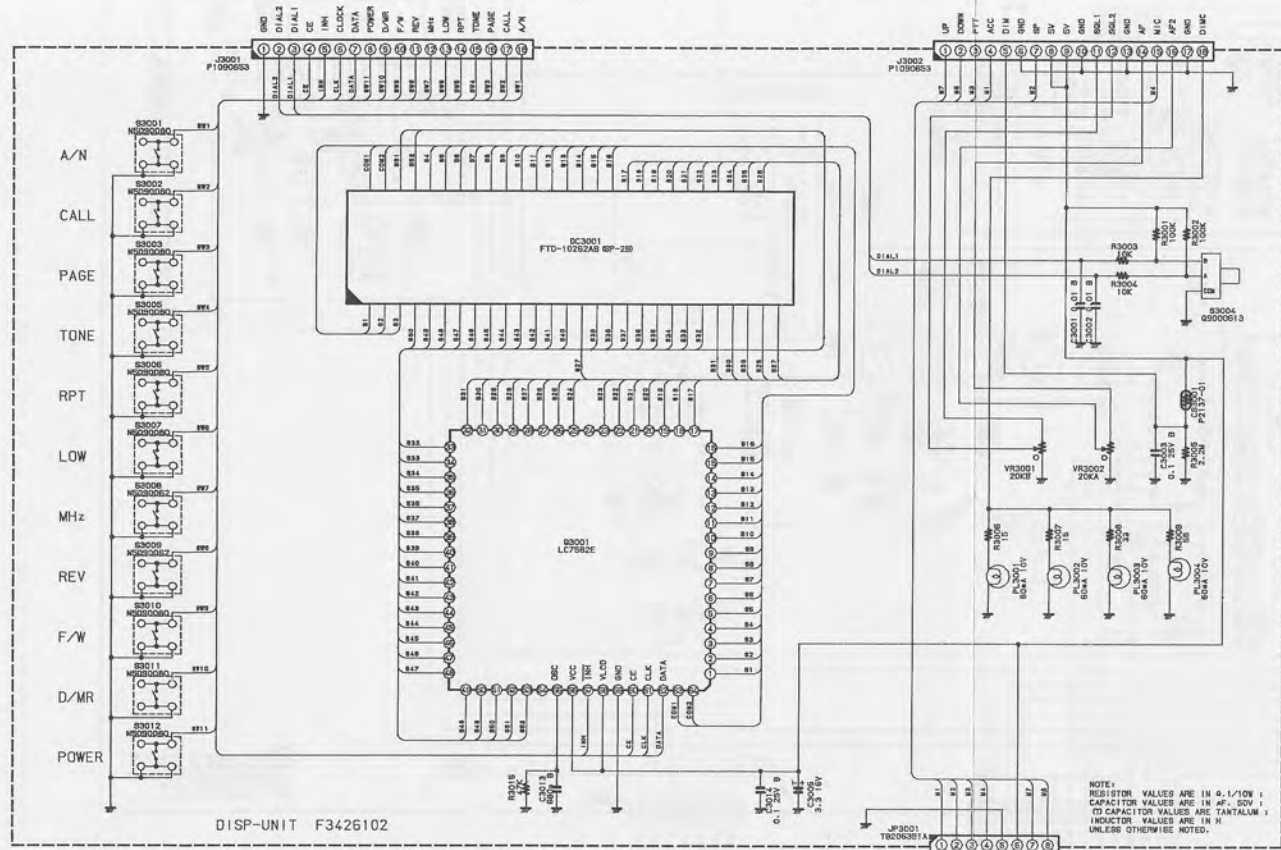
NOTE:  
 RESISTOR VALUES ARE IN  $\Omega$ , 1/10W ;  
 CAPACITOR VALUES ARE IN  $\mu$ F, 50V ;  
 (T) CAPACITOR VALUES ARE TANTALUM ;  
 INDUCTOR VALUES ARE IN H  
 UNLESS OTHERWISE NOTED.



VCO-UNIT F3152101A



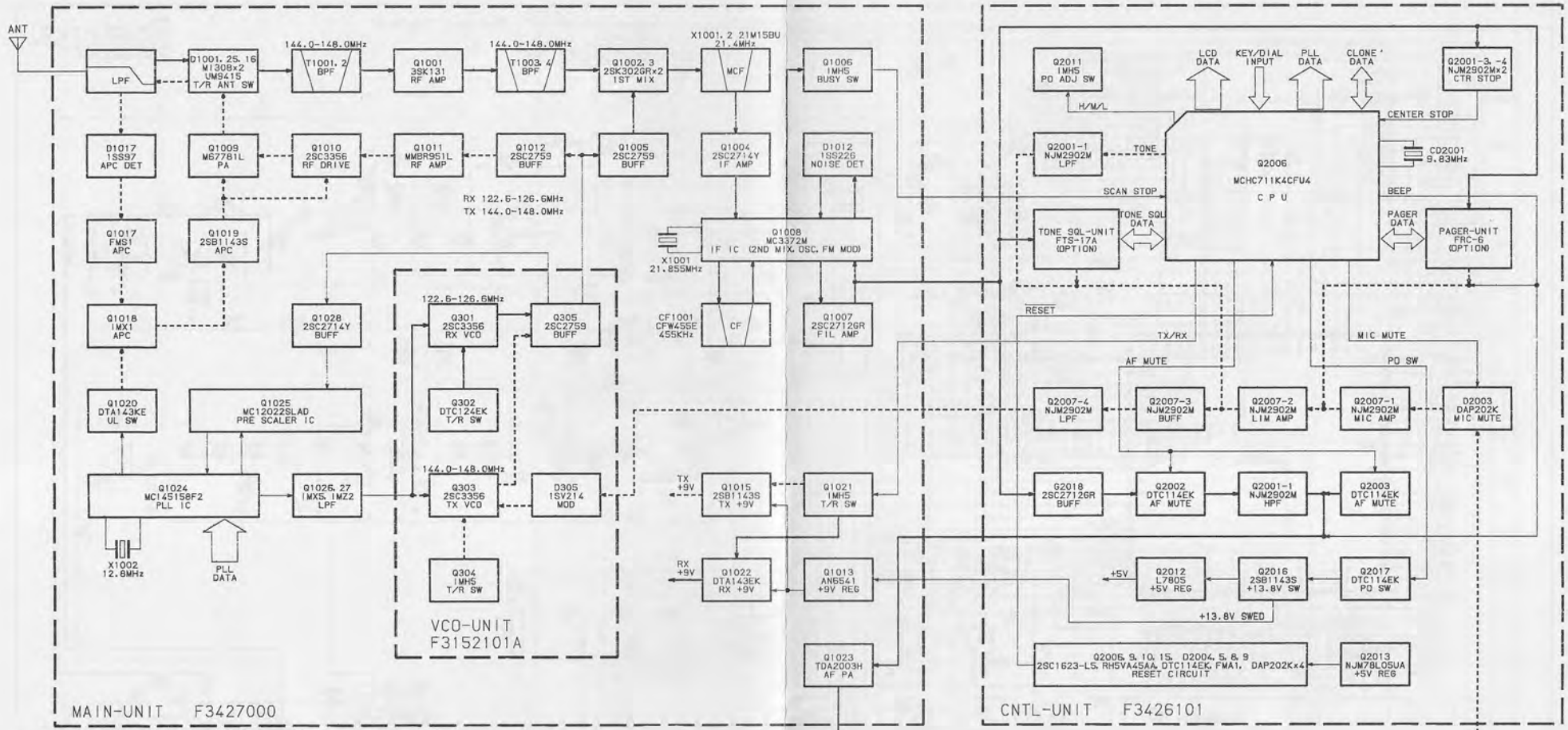
NOTE:  
RESISTOR VALUES ARE IN Ω, 1/10Ω ;  
CAPACITOR VALUES ARE IN μF, 50V ;  
INDUCTOR VALUES ARE IN H  
UNLESS OTHERWISE NOTED.



NOTE:  
RESISTOR VALUES ARE IN Ω, 1/10Ω ;  
CAPACITOR VALUES ARE IN μF, 50V ;  
INDUCTOR VALUES ARE IN H  
UNLESS OTHERWISE NOTED.

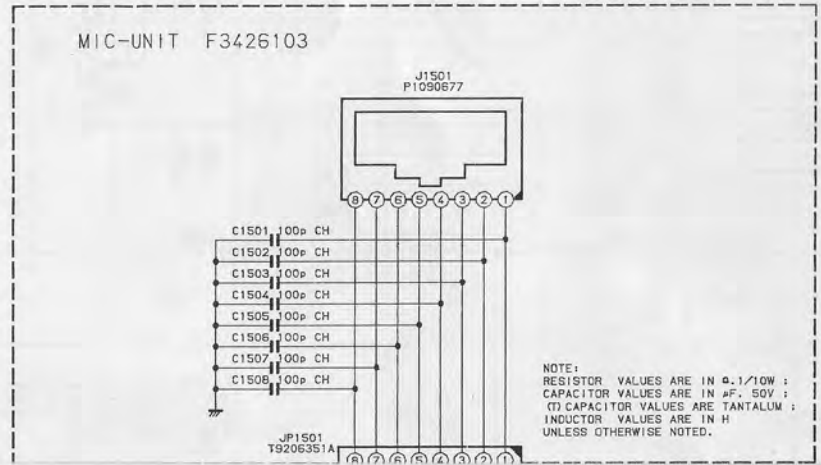
DISP-UNIT F3426102



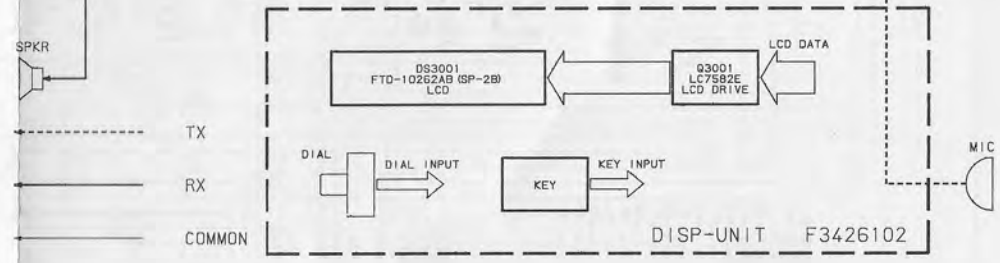


MAIN-UNIT F3427000

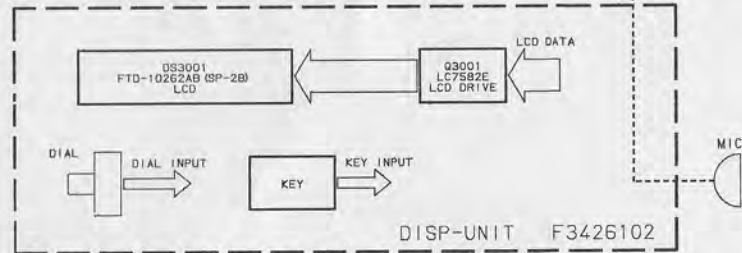
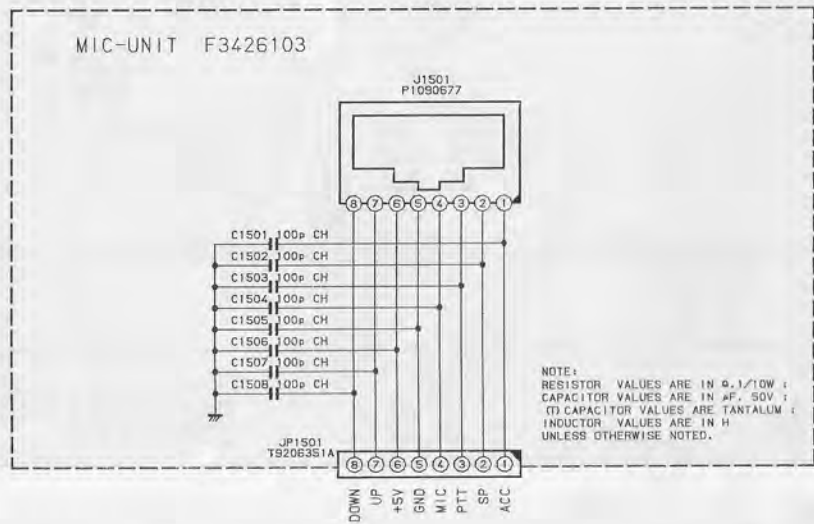
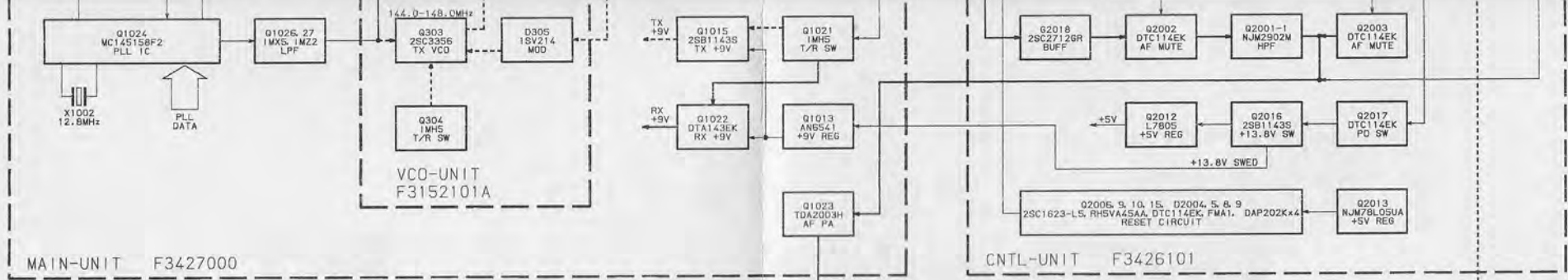
CNTL-UNIT F3426101



NOTE:  
 RESISTOR VALUES ARE IN Ω, 1/10Ω;  
 CAPACITOR VALUES ARE IN μF, 50V;  
 (T) CAPACITOR VALUES ARE TANTALUM;  
 INDUCTOR VALUES ARE IN H  
 UNLESS OTHERWISE NOTED.



# FT-2500M Circuit Diagram



# FT-2500M Circuit Diagram

