

# SPEAKER MICROPHONE

## MH-50 Series

### Service Manual

©2011 VERTEX STANDARD CO., LTD.

EAA75X905

**VERTEX STANDARD CO., LTD.**

4-8-8 Nakameguro, Meguro-Ku, Tokyo 153-8644, Japan

**VERTEX STANDARD**

**US Headquarters**

10900 Walker Street, Cypress, CA 90630, U.S.A.

**YAESU UK LTD.**

Unit 12, Sun Valley Business Park, Winnall Close  
Winchester, Hampshire, SO23 0LB, U.K.

**VERTEX STANDARD HK LTD.**

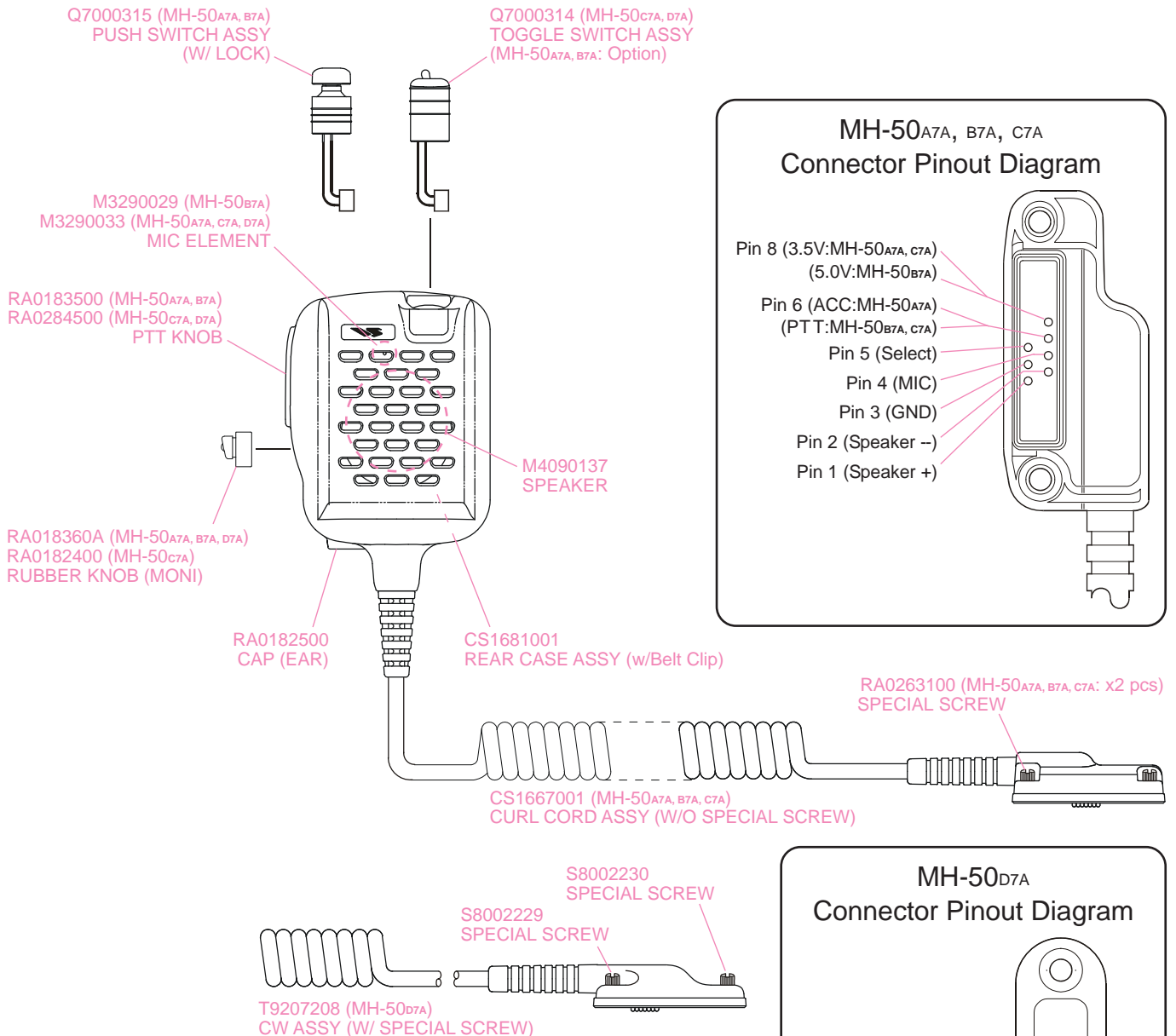
Unit 1306-1308, 13F., Millennium City 2, 378 Kwun Tang Road,  
Kwun Tong, Kowloon, Hong Kong

**VERTEX STANDARD (AUSTRALIA) PTY., LTD.**

Tally Ho Business Park, 10 Wesley Court, East Burwood, VIC, 3151

The MH-50 is a Speaker Microphone designed especially for Vertex Standard transceivers\*.

\*: Check with the latest Vertex Product Catalog for a list of the transceivers that can be used with each version.



Non-designated parts are available only as part of a designated assembly.

### Specifications

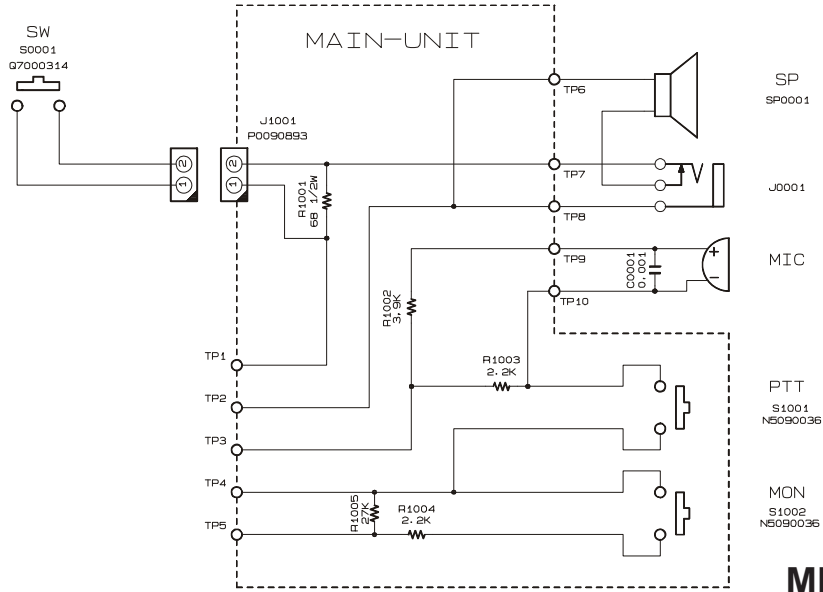
**Microphone Impedance:** 2.2k-ohm at 1 kHz

**Speaker Impedance:** 16-ohm

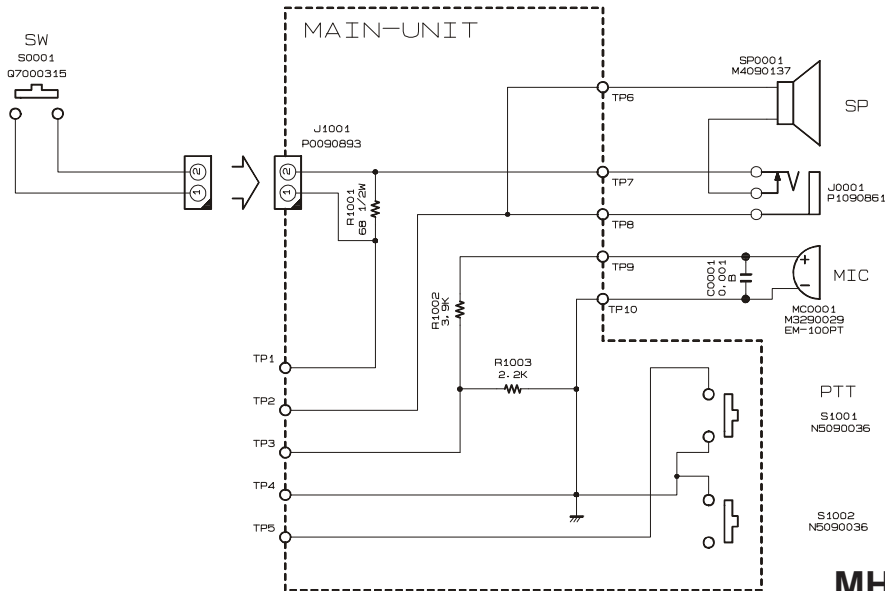
**Speaker Input:** max. 0.6W

**Weight (approx.):** 220 g

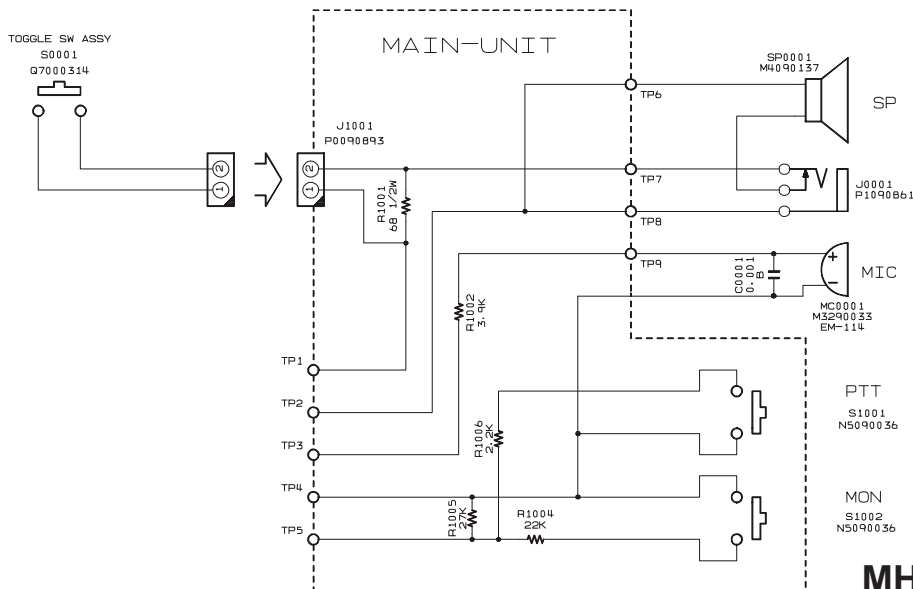
# Circuit Diagram



**MH-50A7A**



**MH-50B7A**



**MH-50C7A/D7A**