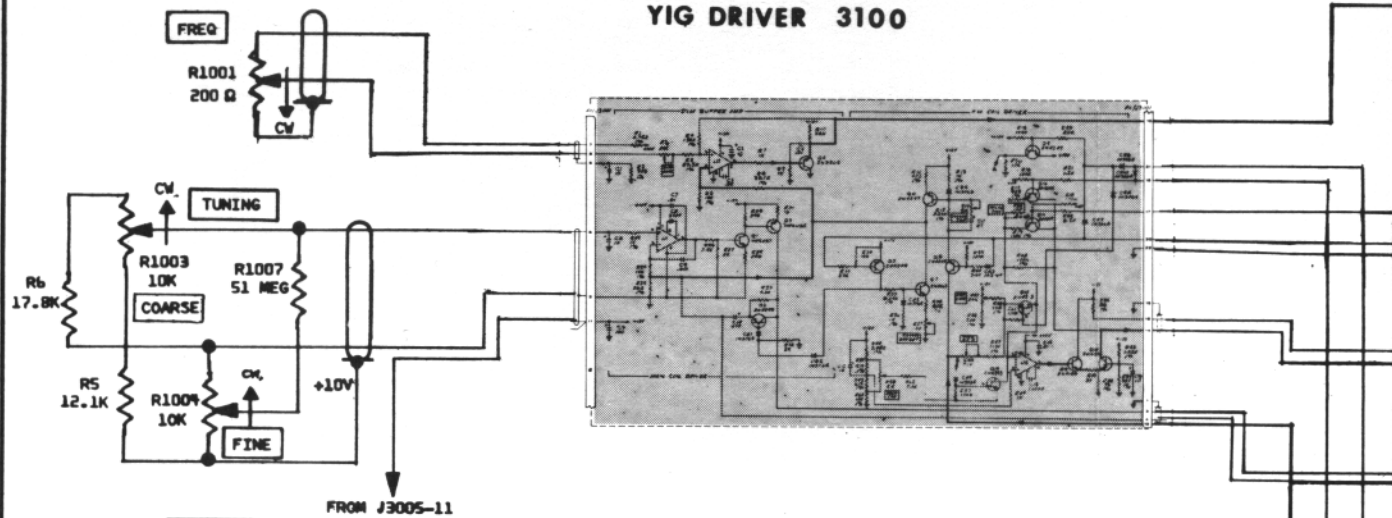
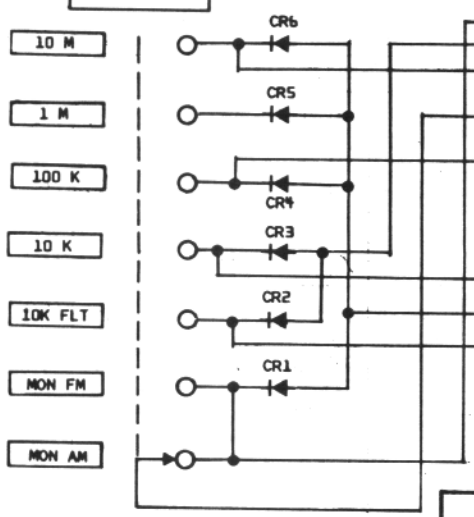


### YIG DRIVER 3100

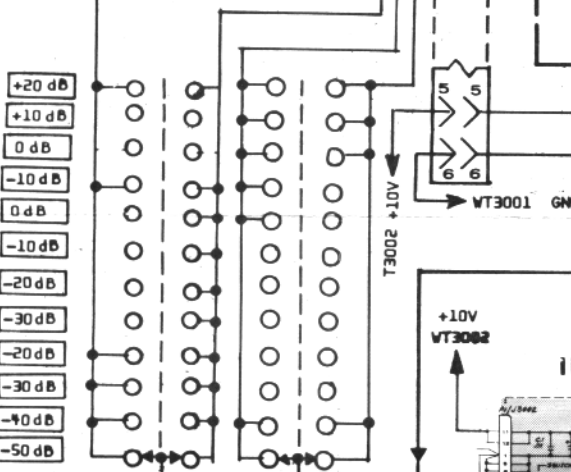
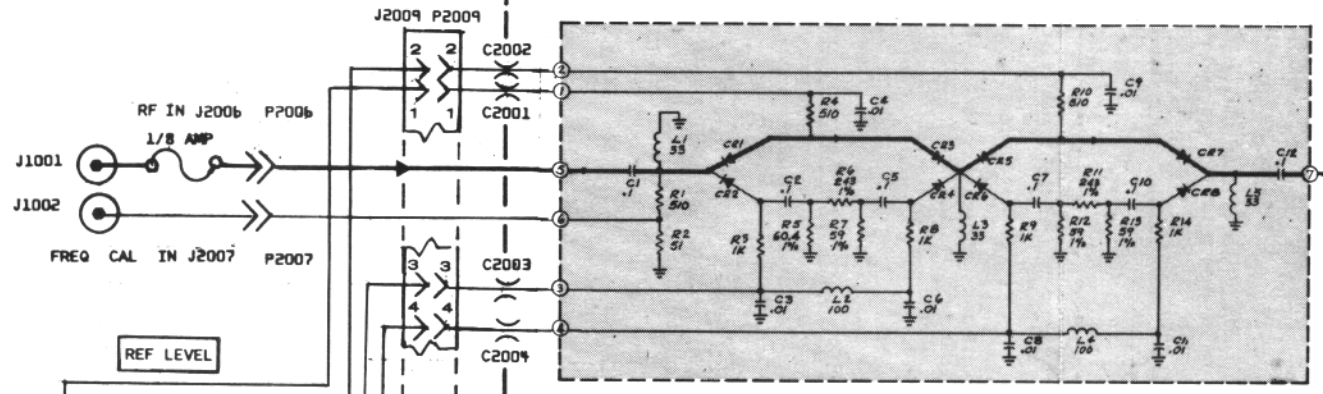


### SCAN WIDTH

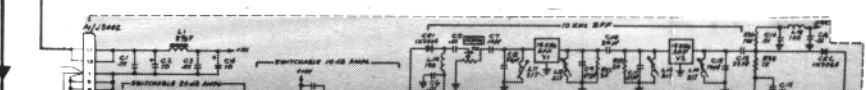


S1001-B

### RF ATTENUATOR 2100

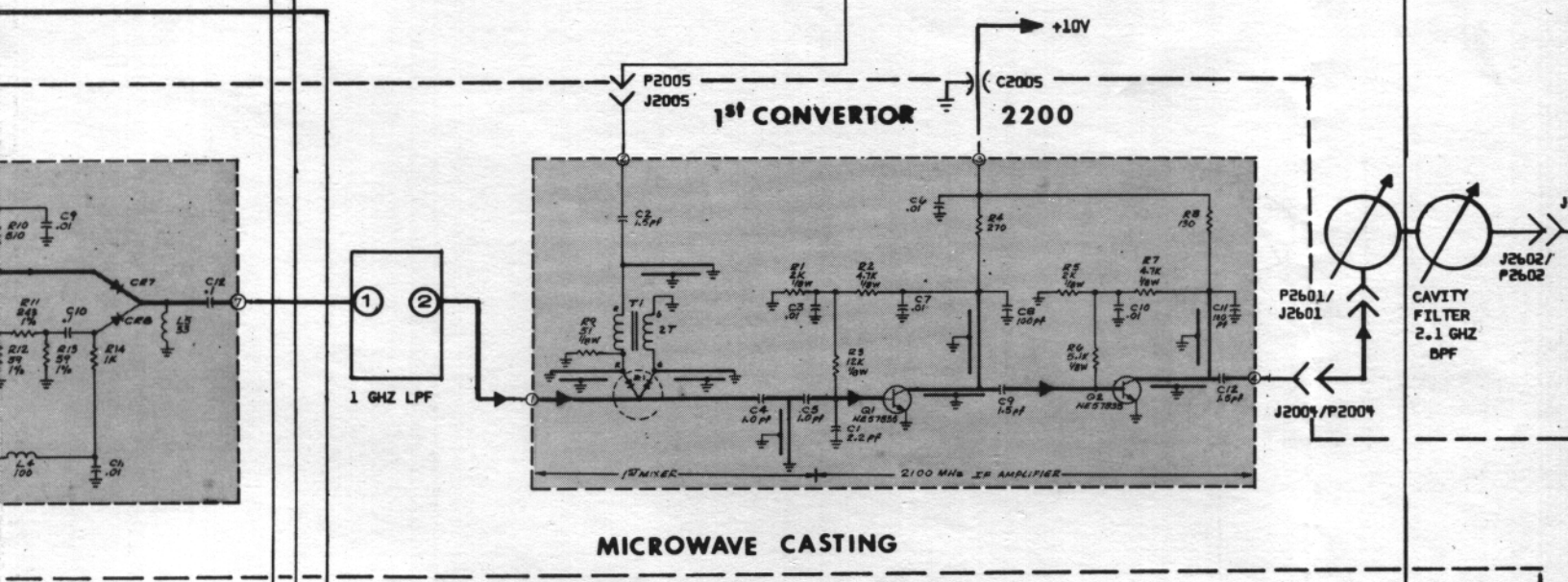
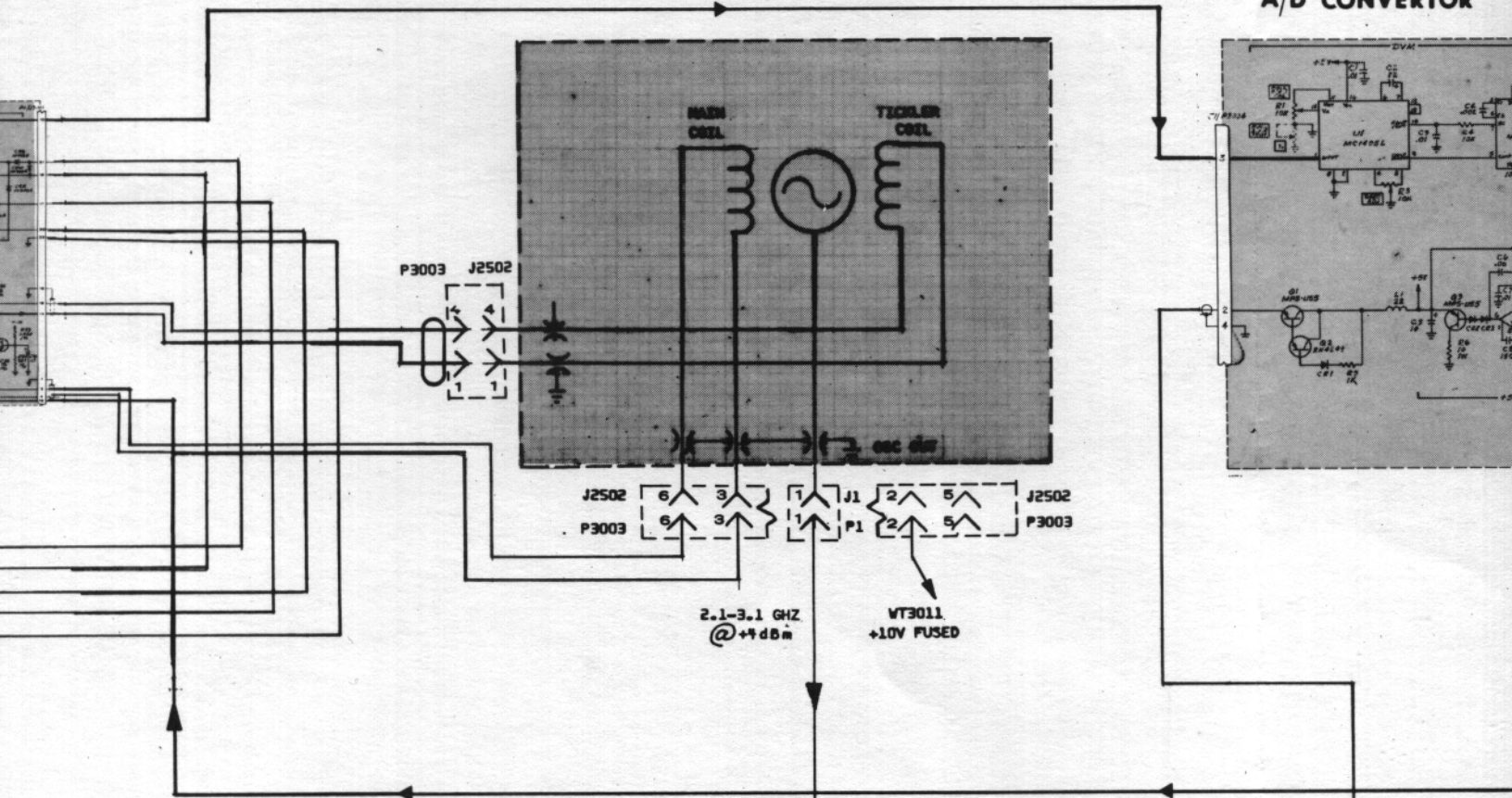


### IF SWITCHABLE GAIN AND BW 3200



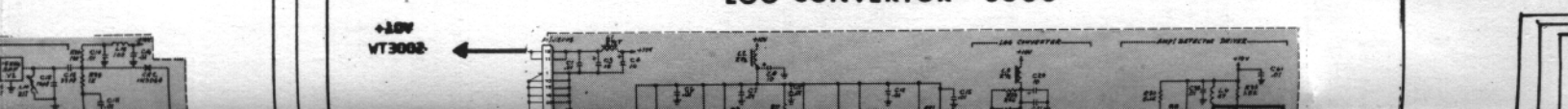
2.1-3.1 GHz YIG OSC 2500

A/D CONVERTOR

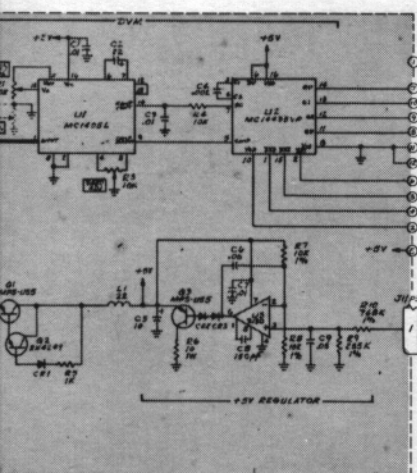


MICROWAVE CASTING

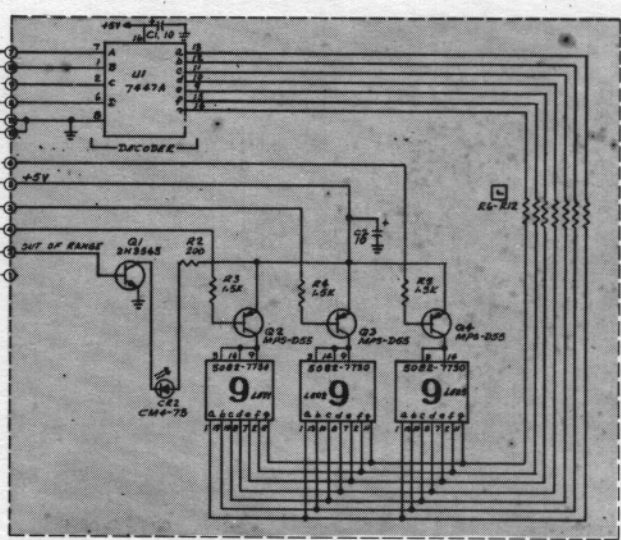
LOG CONVERTOR 3300



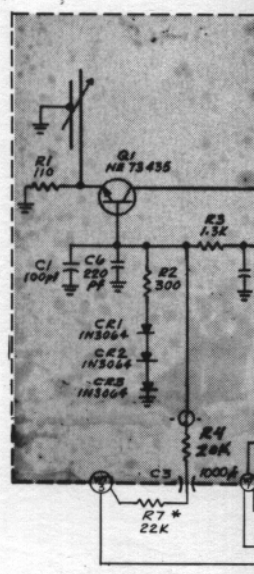
D CONVERTOR 1300



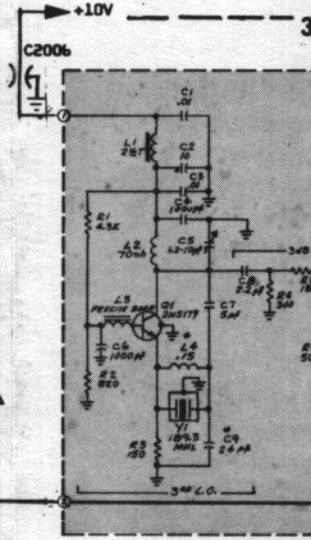
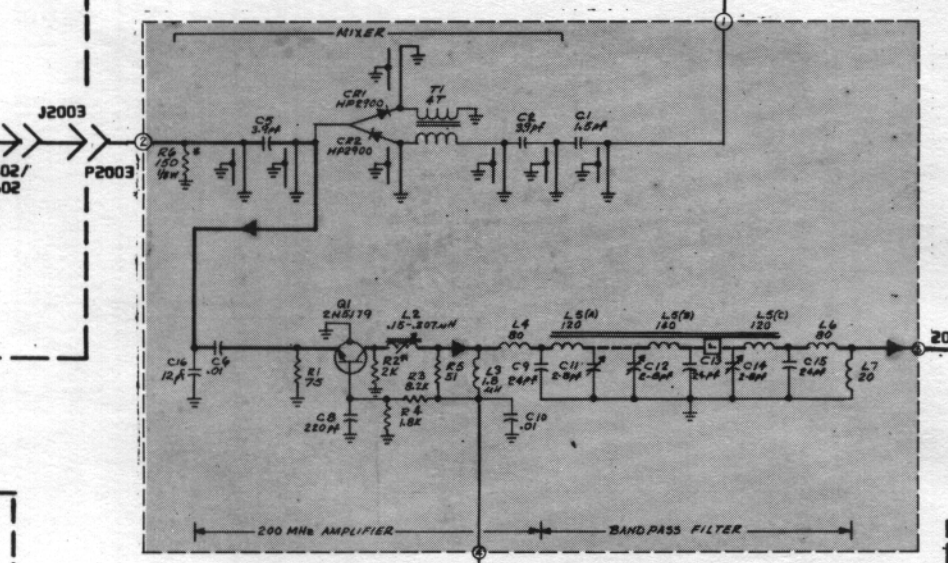
DISPLAY 1200



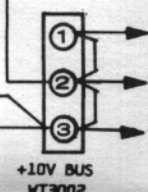
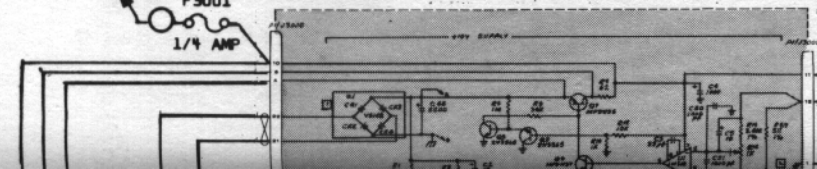
1900 MHz OS



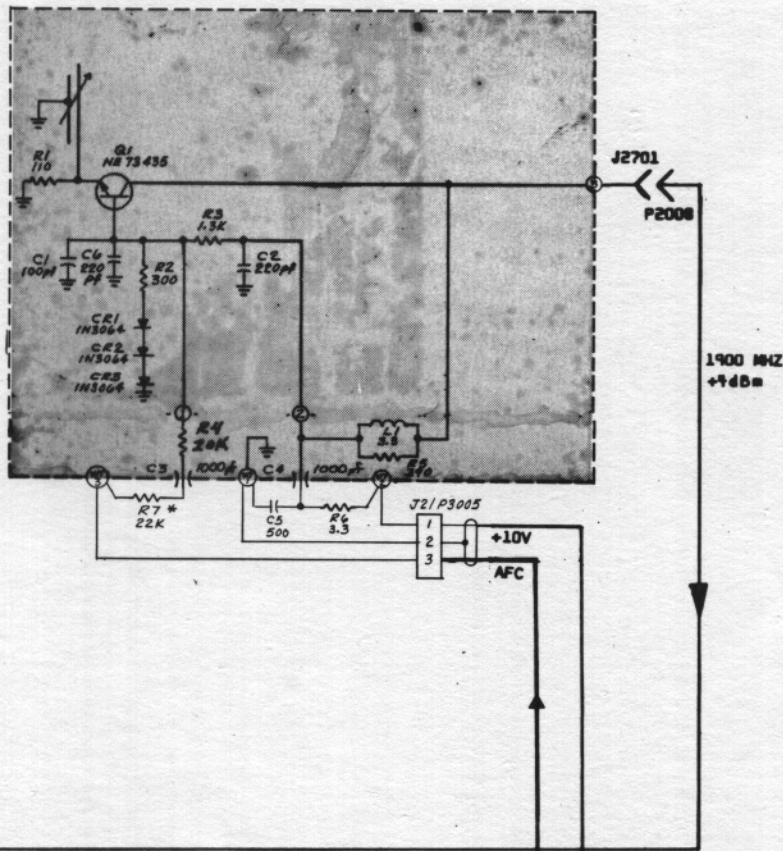
2nd CONVERTOR 2300



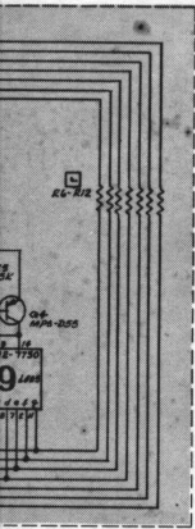
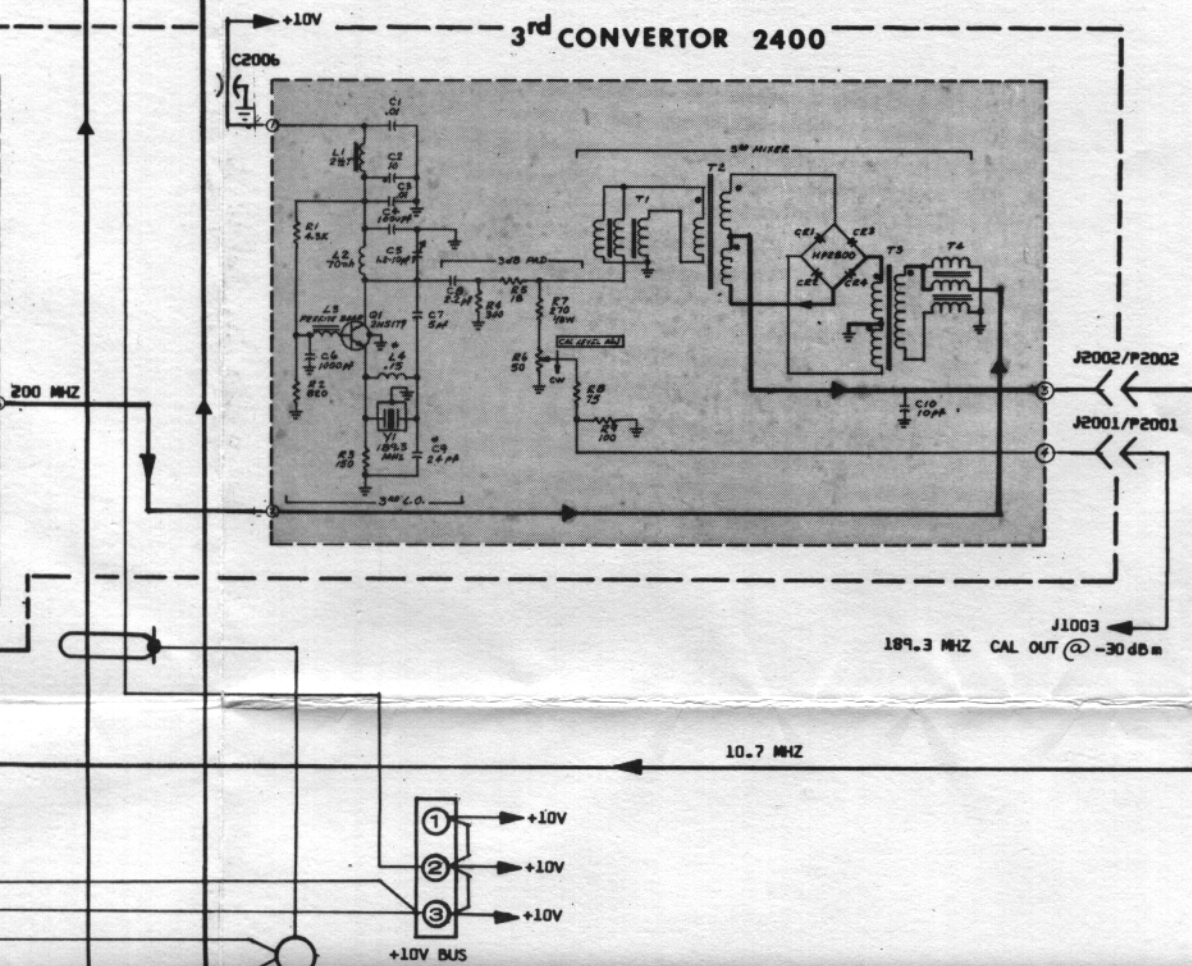
AUDIO/10V SUPPLY 3500

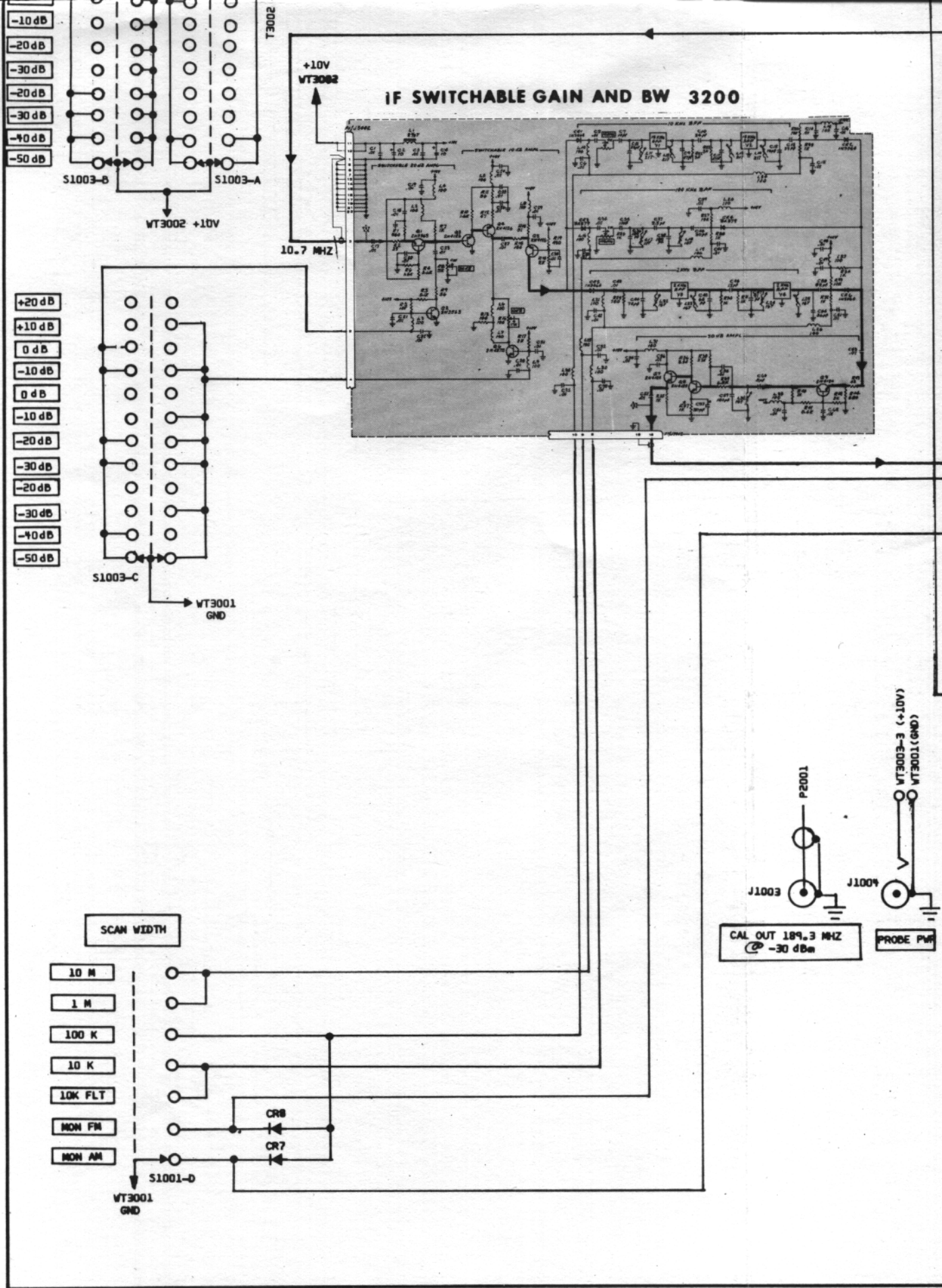


### 1900 MHz OSCILLATOR 2700



### 3rd CONVERTOR 2400



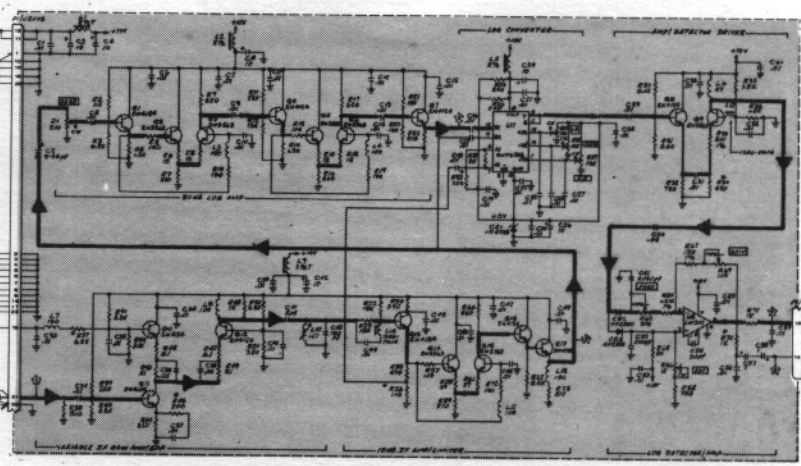


# LOG CONVERTOR 3300

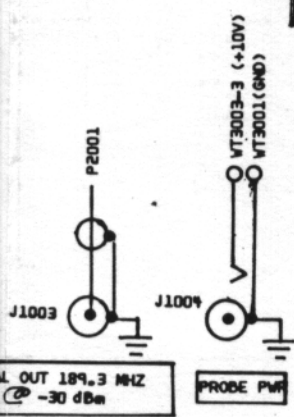
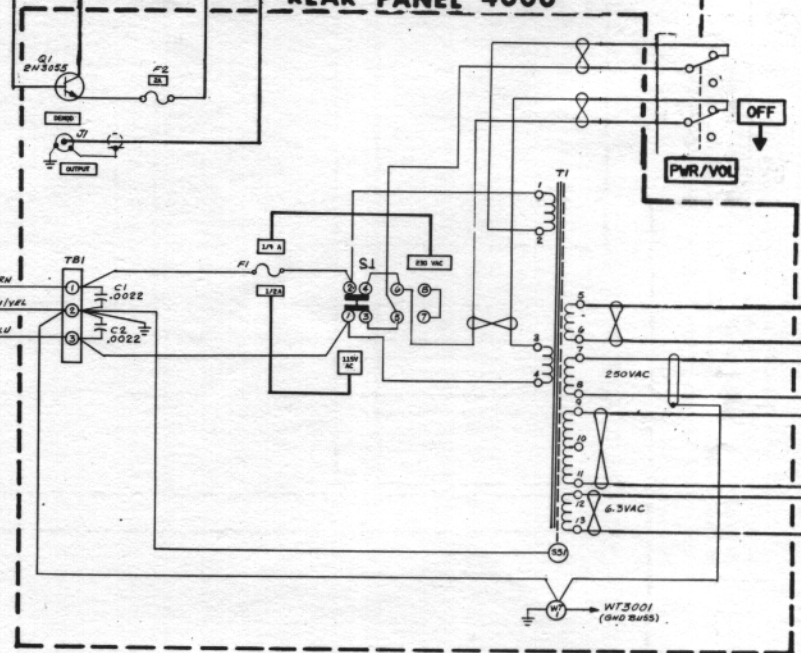
+10V  
VT3002

LEVEL CAL

R1002  
10K



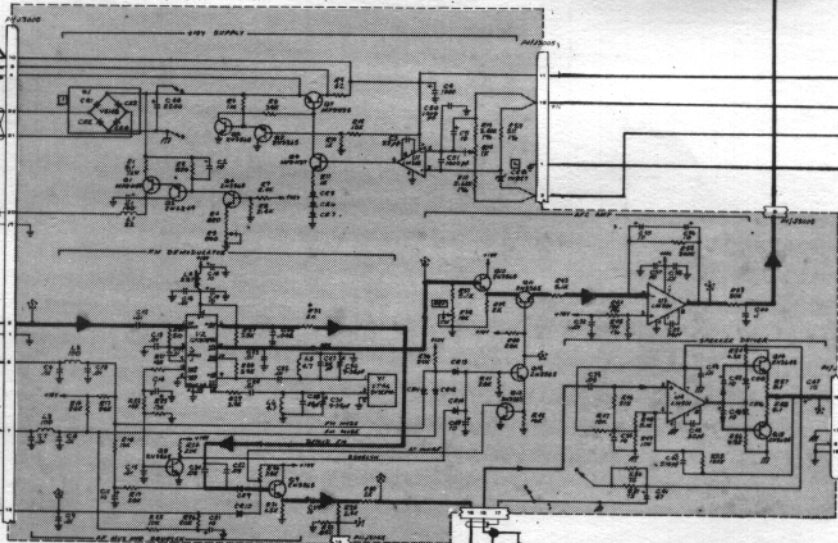
# REAR PANEL 4000



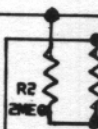
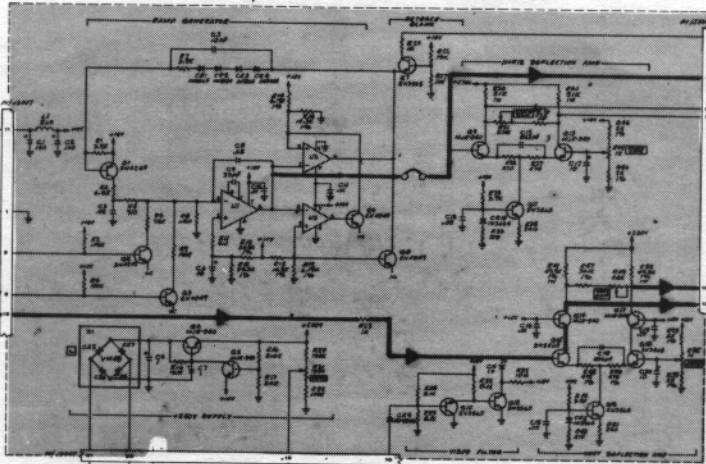
YIG PWR  
TO 2500

F3001  
1/4 AMP

### AUDIO/10V SUPPLY 3500



### RAMP GEN/DEFL AMPL 3600



OFF

+10V  
WT3002

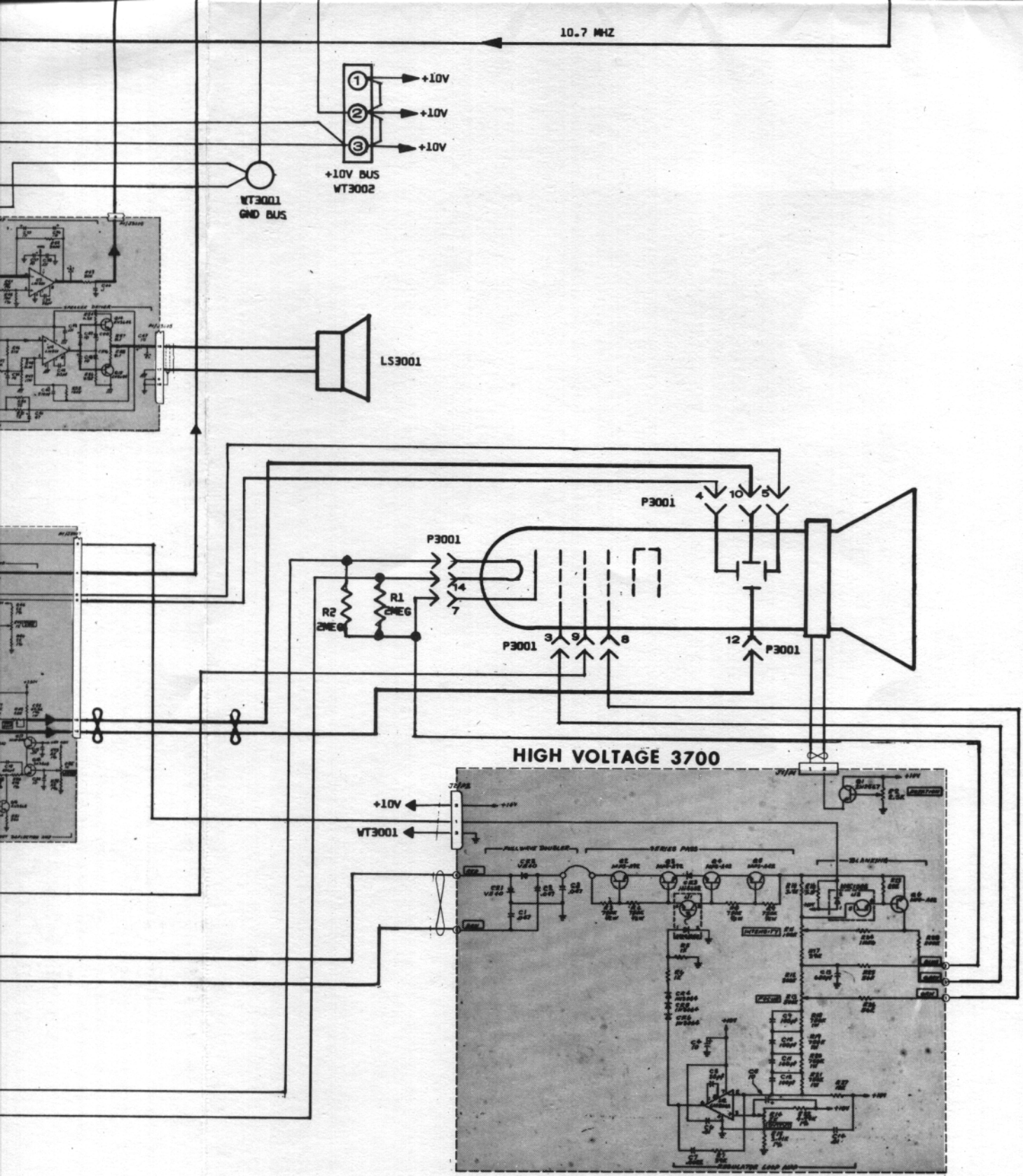


Figure 3-1. CE-15 Overall Block Diagram

3-7/3-8



# **K4XL's** **BAMA**

This manual is provided **FREE OF CHARGE** from the "BoatAnchor Manual Archive" as a service to the Boatanchor community.

It was uploaded by someone who wanted to help you repair and maintain your equipment.

If you paid anyone other than BAMA for this manual, you paid someone who is making a profit from the free labor of others without asking their permission.

You may pass on copies of this manual to anyone who needs it. But do it without charge.

Thousands of files are available without charge from BAMA. Visit us at <http://bama.sbc.edu>