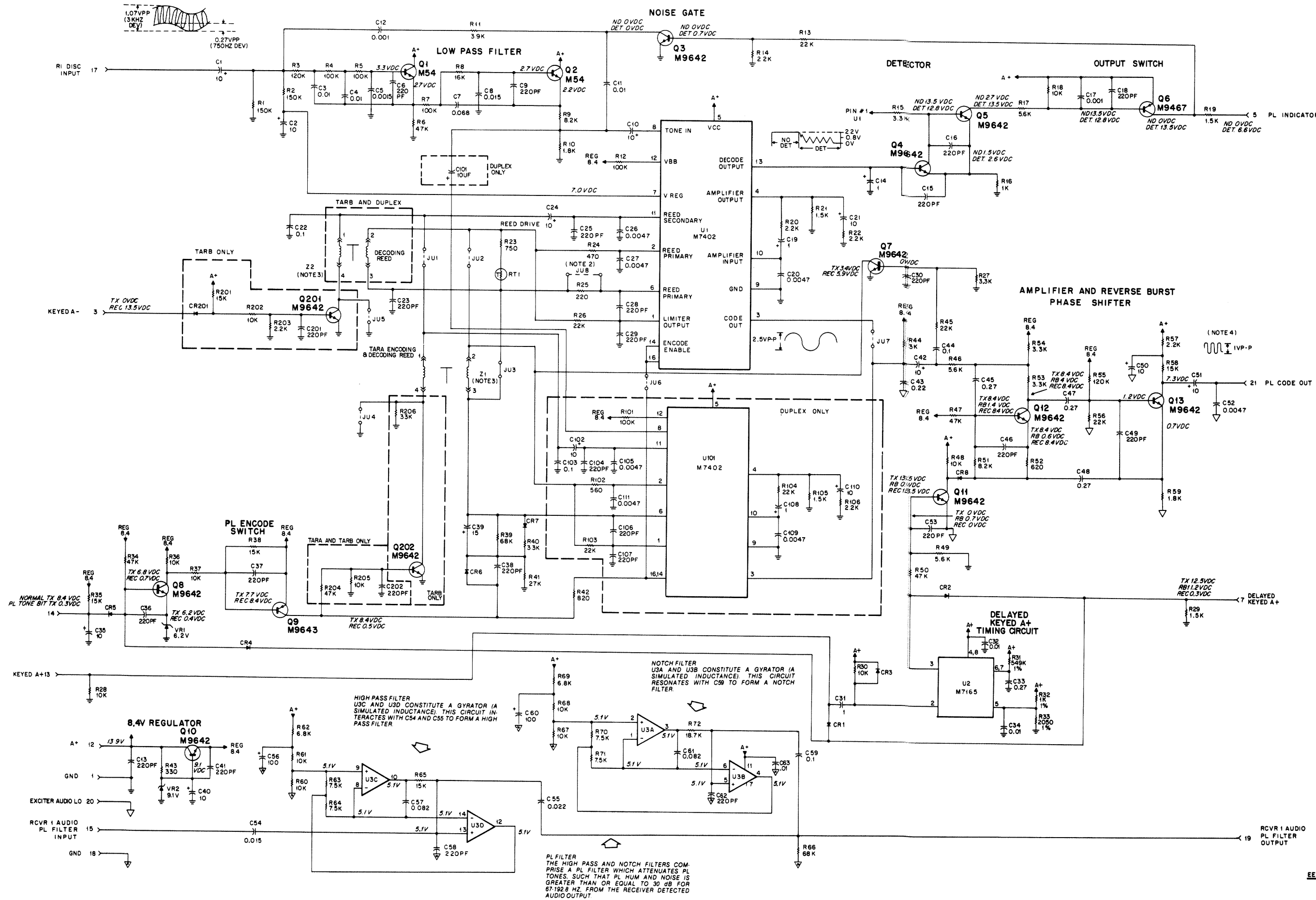


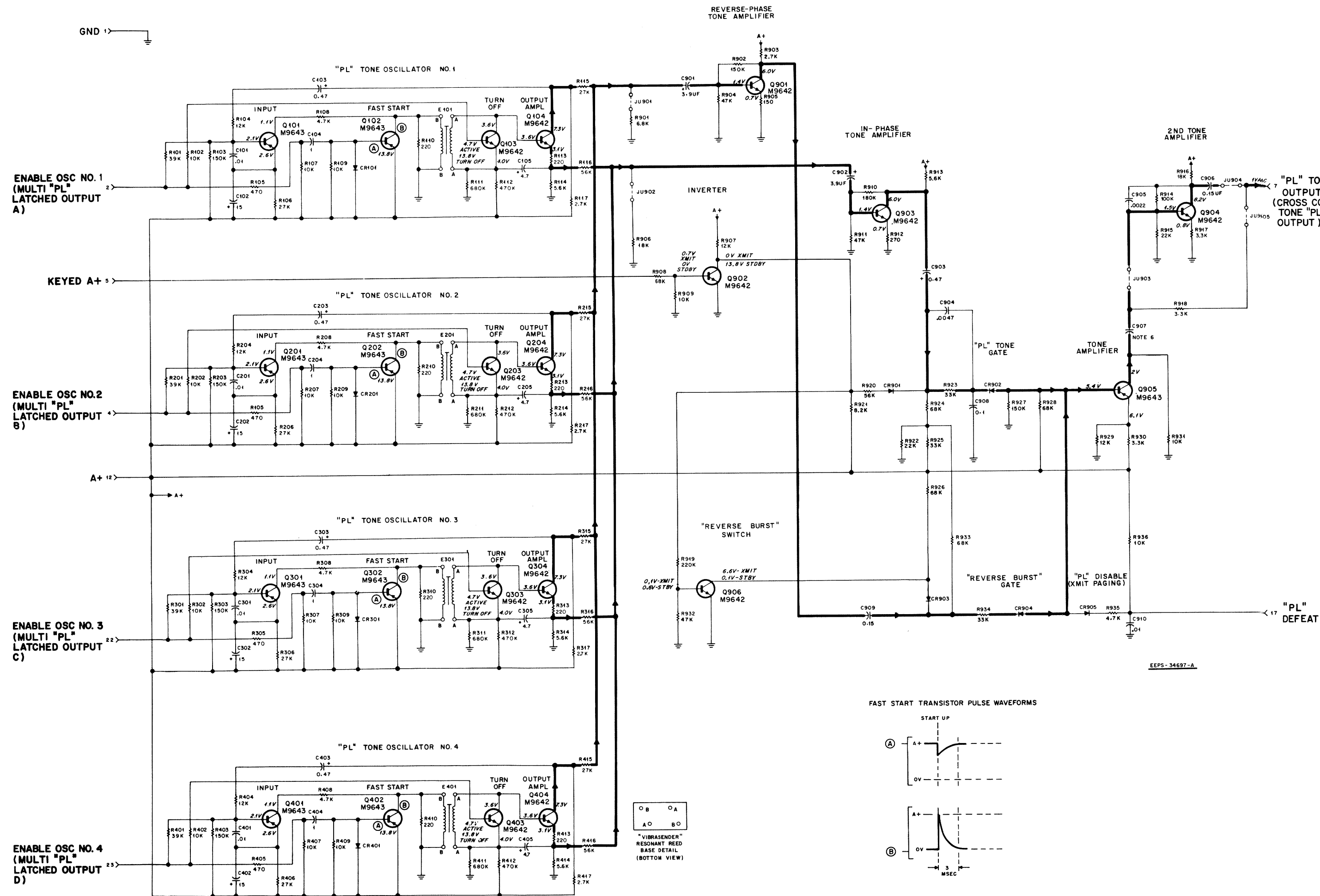
# TONE PRIVATE-LINE ENCODER-DECODER MODULES

## MODELS TRN5073A, 74A, 75A



# MULTIPLE PL ENCODER MODULE

MODEL TRN5292A

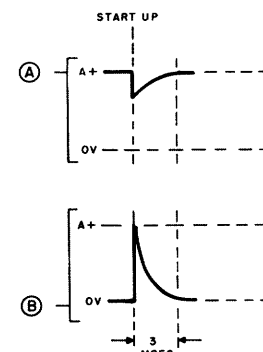


**NOTES:**

1. Unless otherwise stated, capacitor values are in microfarads. Resistor values are in ohms (k = 1000).
2. Unless otherwise stated, voltages represent the active state and are taken with respect to chassis ground.
3. All AC voltage measurements are RMS value.
4. All DC voltage measurements may be taken with 20,000 ohms-per-volt meter.
5. Jumper Table.

Jumper	Status
JU901, 902	IN for 4-frequency applications; OUT for 8-frequency applications.
JU903, 904	IN when transmitter-exciter utilizes direct frequency modulation; OUT when direct FM is not used (serrasoid modulator is incorporated).
JU905	Opposite of JU903 and JU904; OUT for direct FM; IN otherwise.

**FAST START TRANSISTOR PULSE WAVEFORMS**



B    A  
 A    B  
 "VIBRASENDER" RESONANT REED  
 BASE DETAIL  
 (BOTTOM VIEW)