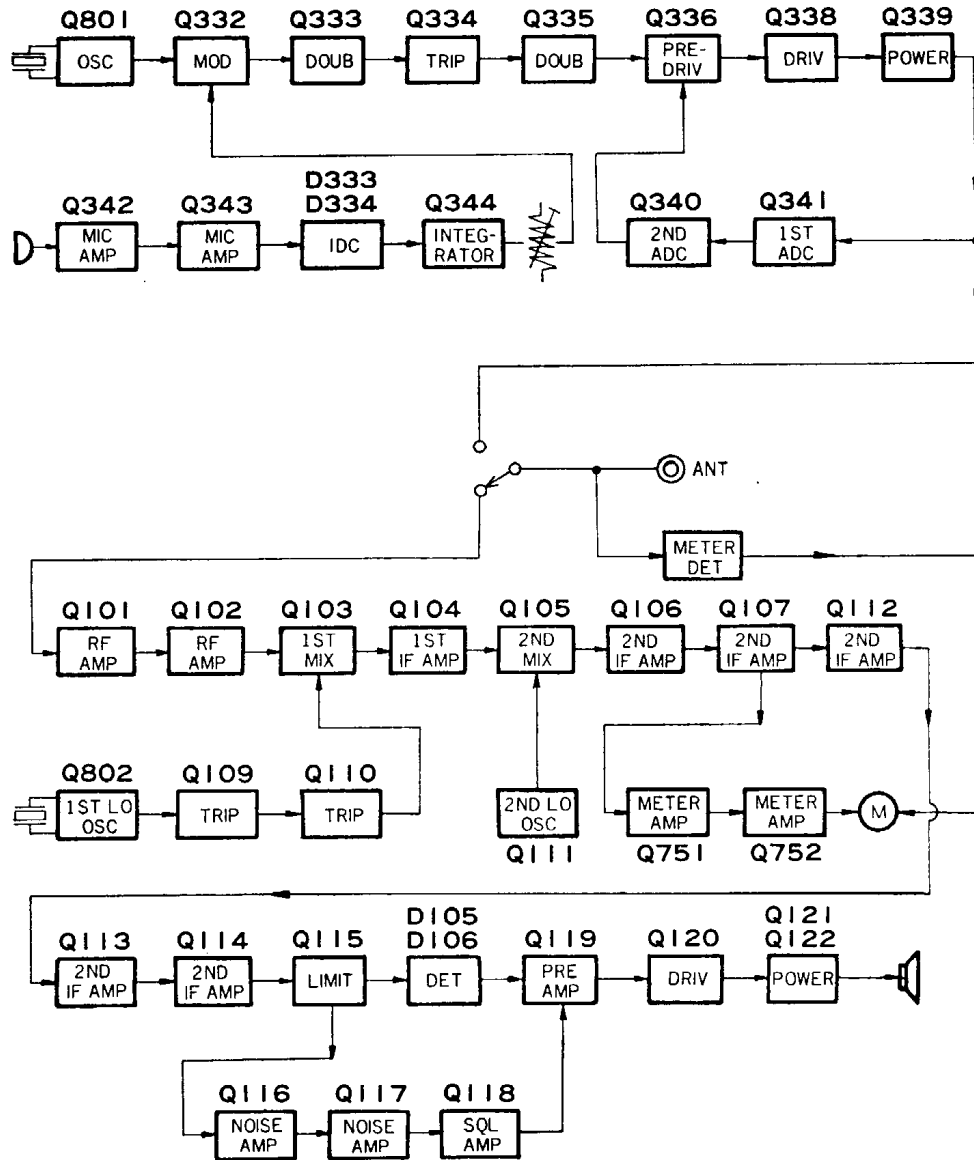


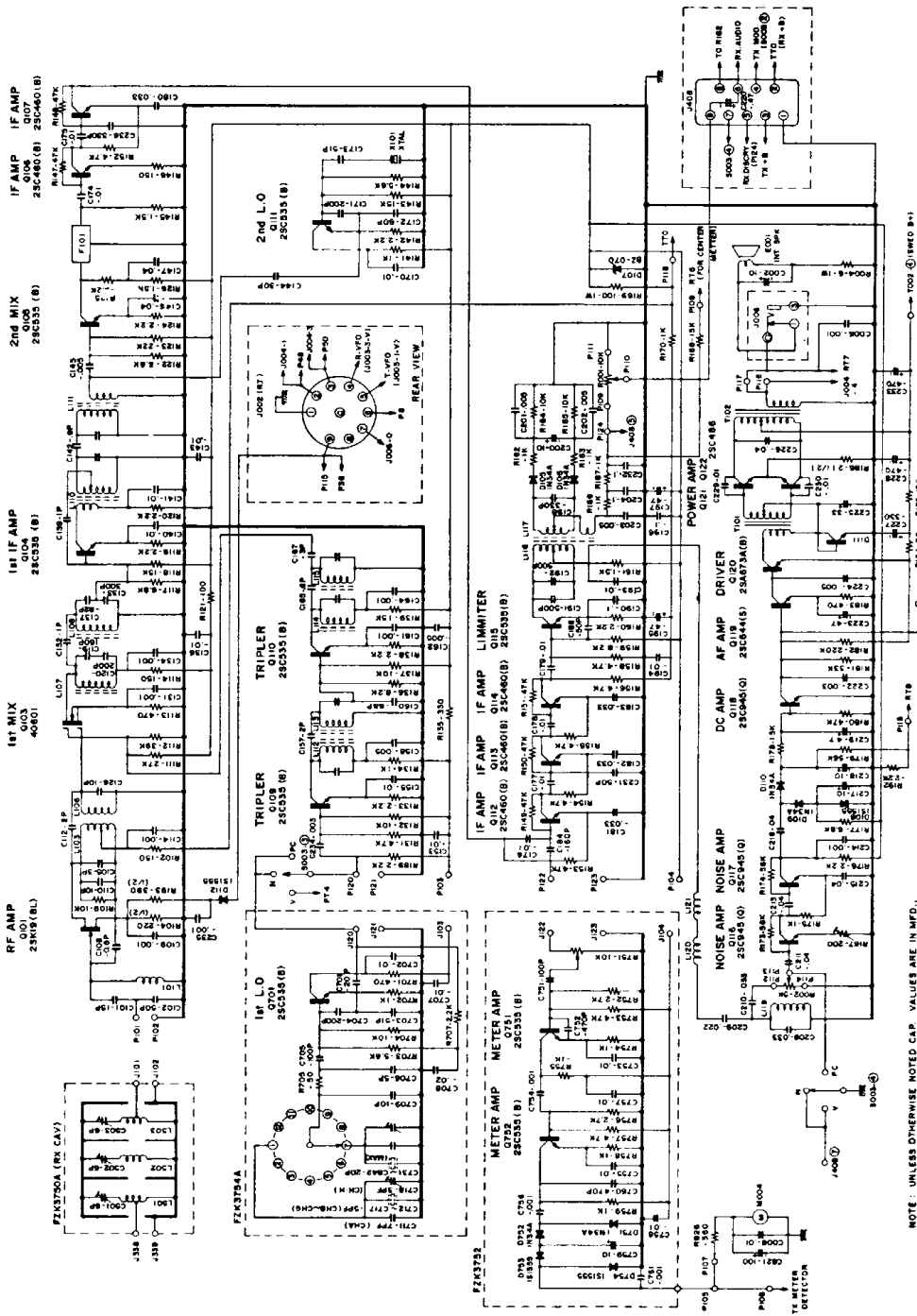
STANDARD SR-C826M

SR-C826M BLOCK DIAGRAM



STANDARD SR-C826M

SCHEMATIC DIAGRAM OF RECEIVER SECTION

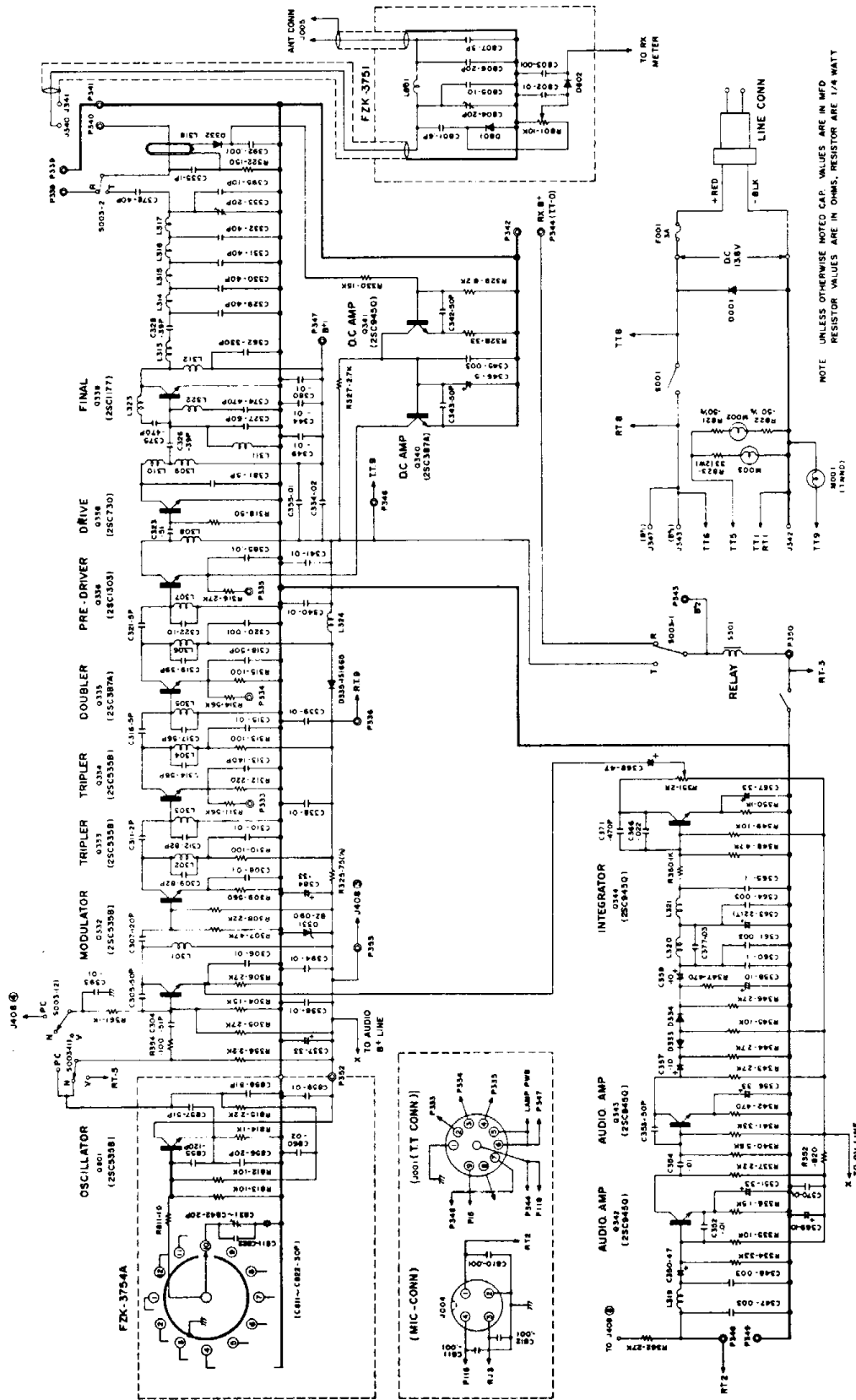


NOTE: UNLESS OTHERWISE NOTED CAP. VALUES ARE IN MFD., RESISTOR VALUES ARE IN OHMS, RESISTOR ARE 1/4 WATT

DEC 1972

STANDARD SR-C826M

SCHEMATIC DIAGRAM OF TRANSMITTER SECTION



NOTE: UNLESS OTHERWISE NOTED, CAP. VALUES ARE IN MFD, RESISTOR VALUES ARE IN OHMS, RESISTOR ARE 1/4 WATT

DEC 1972