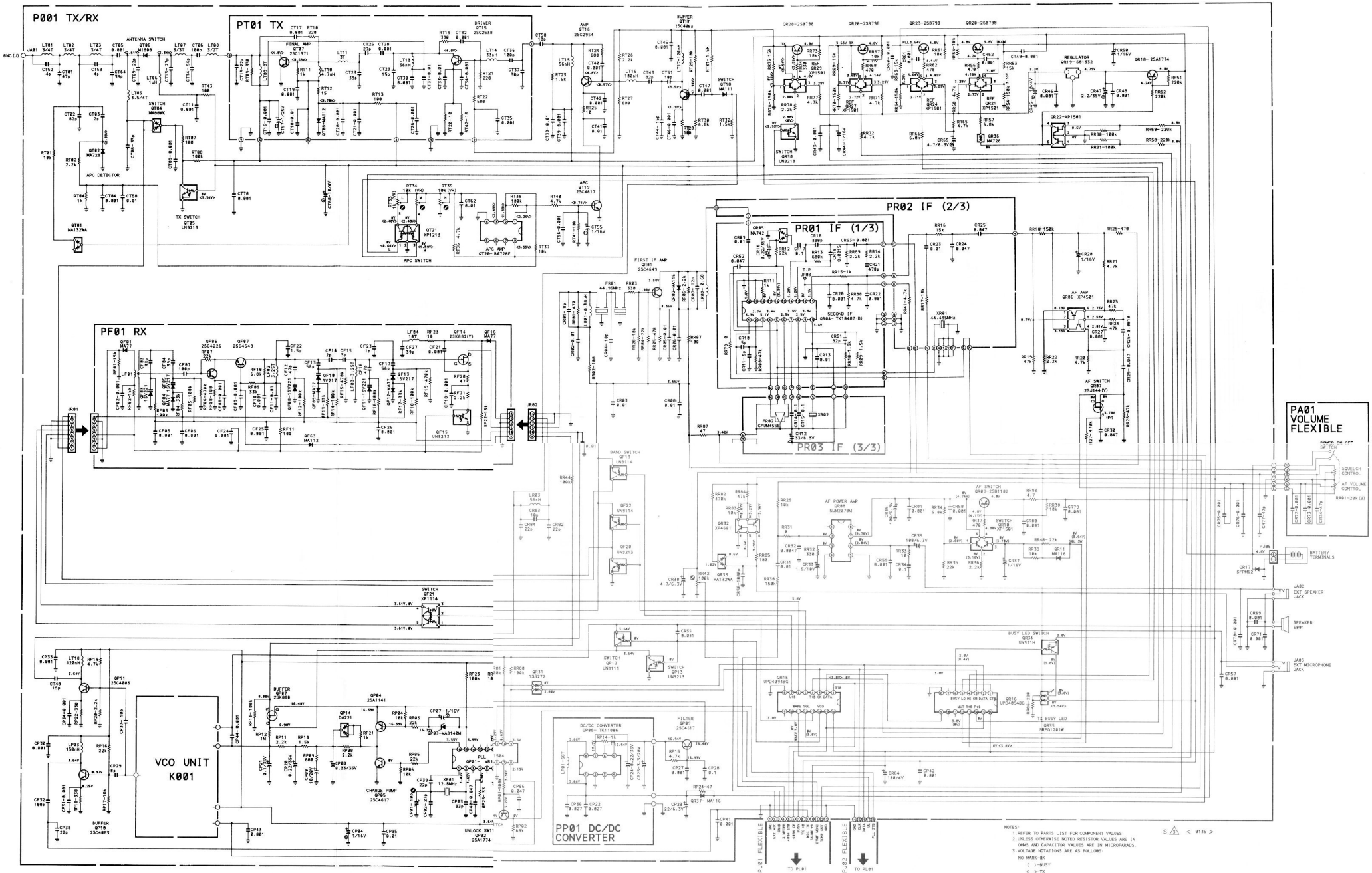


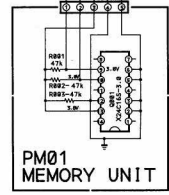
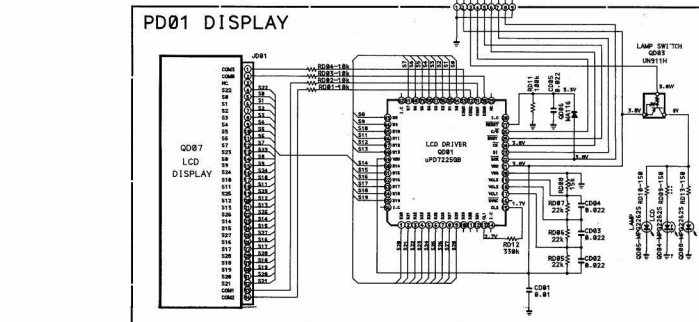
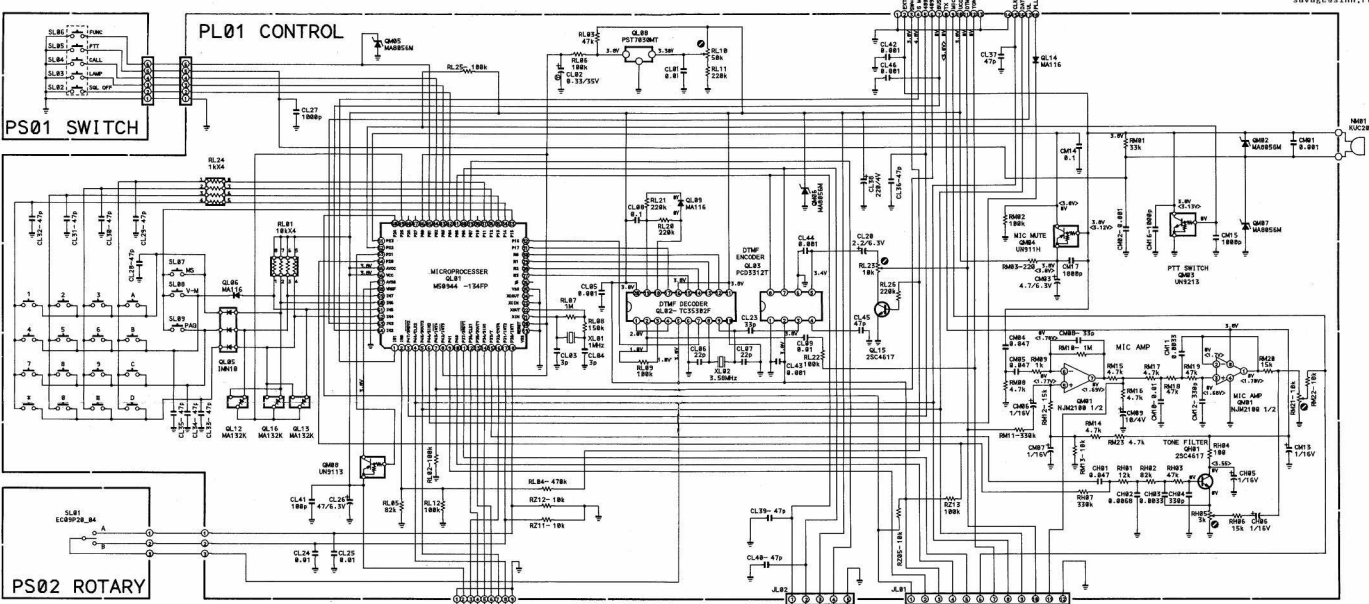
SCHEMATIC DIAGRAM FOR Model C188

savage9inn.ru



NOTES:
1. REFER TO PARTS LIST FOR COMPONENT VALUES.
2. UNLESS OTHERWISE NOTED RESISTOR VALUES ARE IN OHMS AND CAPACITOR VALUES ARE IN MICROFARADS.
3. VOLTAGE NOTATIONS ARE AS FOLLOWS:
NO MARK-BY
+ - BATTERY
< -TX
> -TX

S < 815 >



NOTES:
 1. REFER TO PARTS LIST FOR COMPONENT VALUES.
 2. UNLESS OTHERWISE NOTED RESISTOR VALUES ARE IN OHMS, AND CAPACITOR VALUES ARE IN MICROFARADS.
 3. VOLTAGE INDICATIONS ARE AS FOLLOWS:
 NO MARK-DC
 () 1-BUSY
 < -> TR