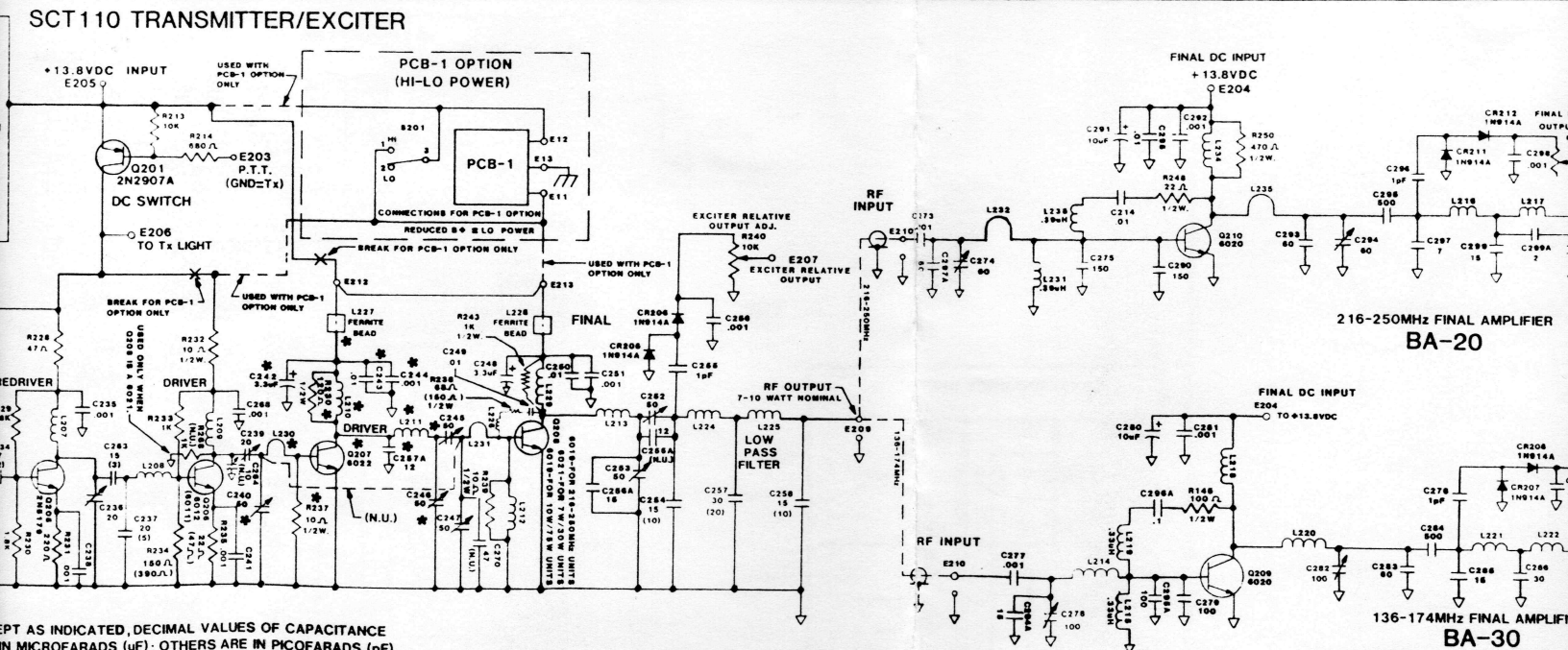


SCR200A RECEIVER

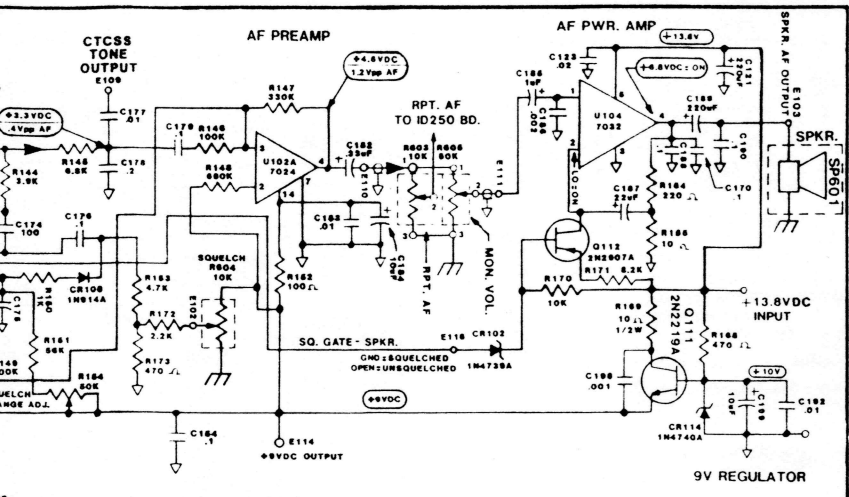


SPECTRUM COMM

SCALE: APPROVED BY:

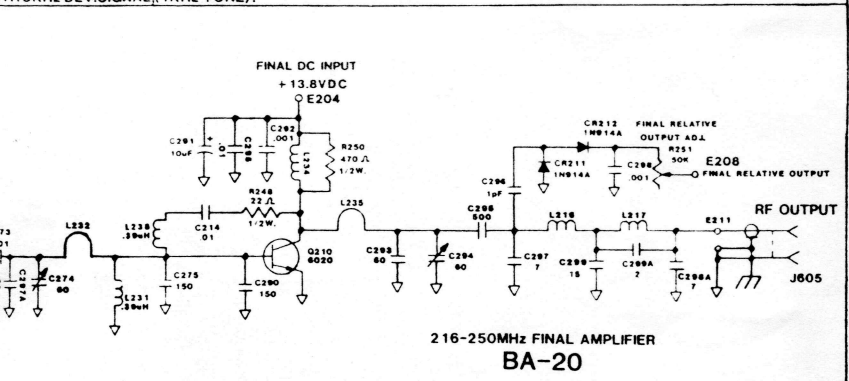
DATE: 8-10-84 G.L.S.

VHF TRANSMITTER & SCHEMATIC (SCR

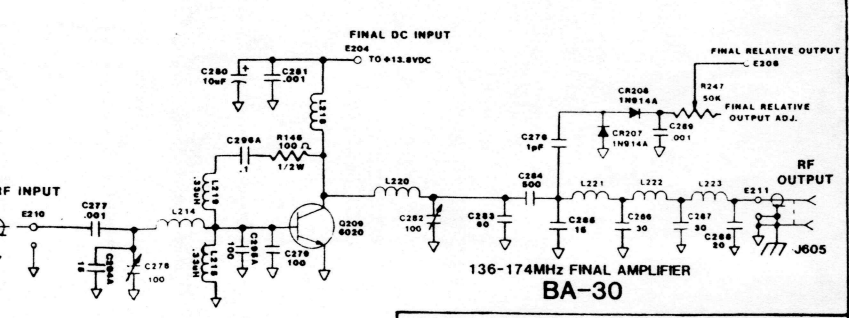


222A
 141
 3K
 E 108
 8 METER
 OUTPUT

DASHED LINES (EXCEPT COILS)
 INDICATE SIGNAL FLOW.
 CAPACITANCE VALUES ARE IN PICOFARADS (pF).
 RESISTANCE VALUES ARE IN KILOHMS (K) OR
 OHMS (Ω). AF VOLTAGES ARE
 WITH 5KHz DEV. SIGNAL, (1KHz TONE).



216-250MHz FINAL AMPLIFIER
BA-20



136-174MHz FINAL AMPLIFIER
BA-30

SPECTRUM COMMUNICATIONS

SCALE: _____ APPROVED BY: _____ DRAWN BY: R.L.A.
 DATE: 8-10-84 J.H. G.C.S. REVISOR: S.J.B.

VHF TRANSMITTER & RECEIVER

SCHEMATIC (SCR1000) DRAWING NUMBER: 4100112