

**NOTES:**

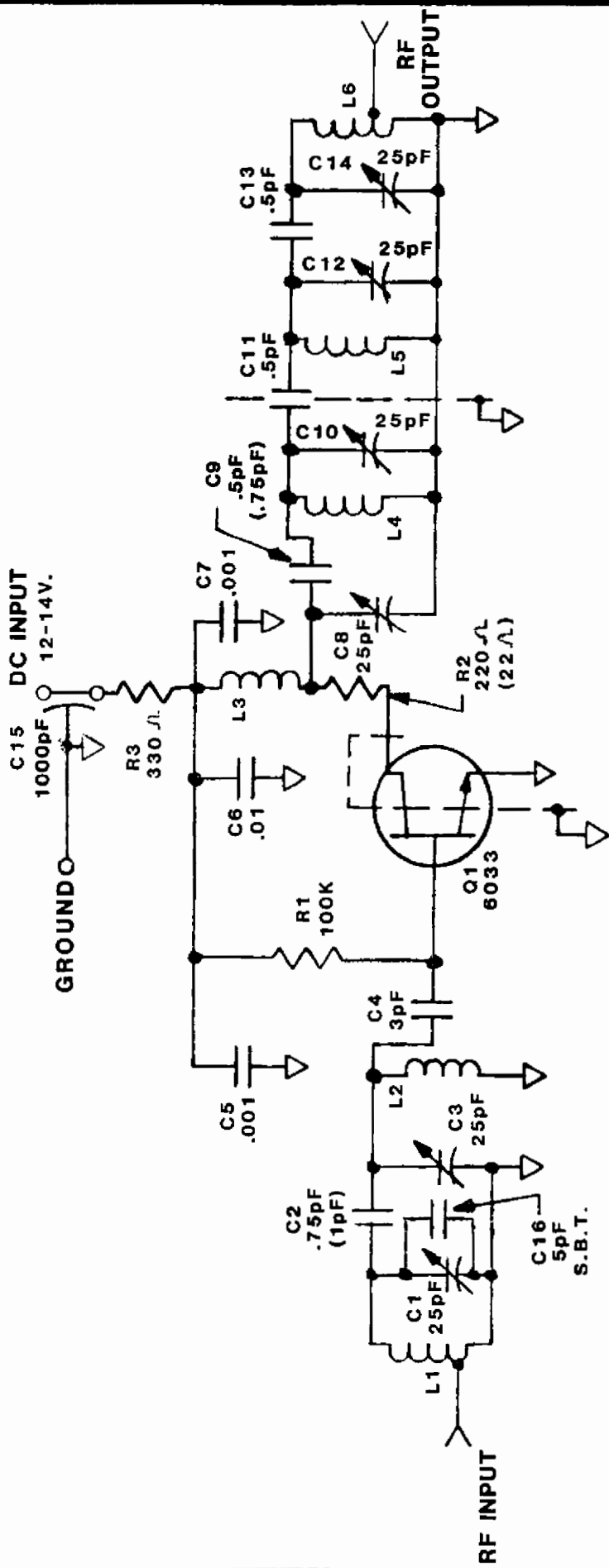
1) VALUES IN ( ) ARE FOR  
216-250MHZ.

**SPECTRUM COMMUNICATIONS**

SCALE	DRAWN BY
2X	R.L.A.
	REVISED

**FL-6 PRESELECTION LAYOUT**

DATE	APPROVED BY	DRAWING NUMBER
10-12-88		1200152



**NOTES:**

1) VALUES IN ( ) ARE FOR 216-250 MHZ.

**SPECTRUM COMMUNICATIONS**

SCALE:	APPROVED BY:	DRAWN BY R. L. A.
DATE: 2-20-86	<i>[Signature]</i>	REVISED 10-12-88

**FL-6 PRESELECTOR**

**136-174,216-250 MHZ**

DRAWING NUMBER

**1200106A**

**FIGURE 6C**