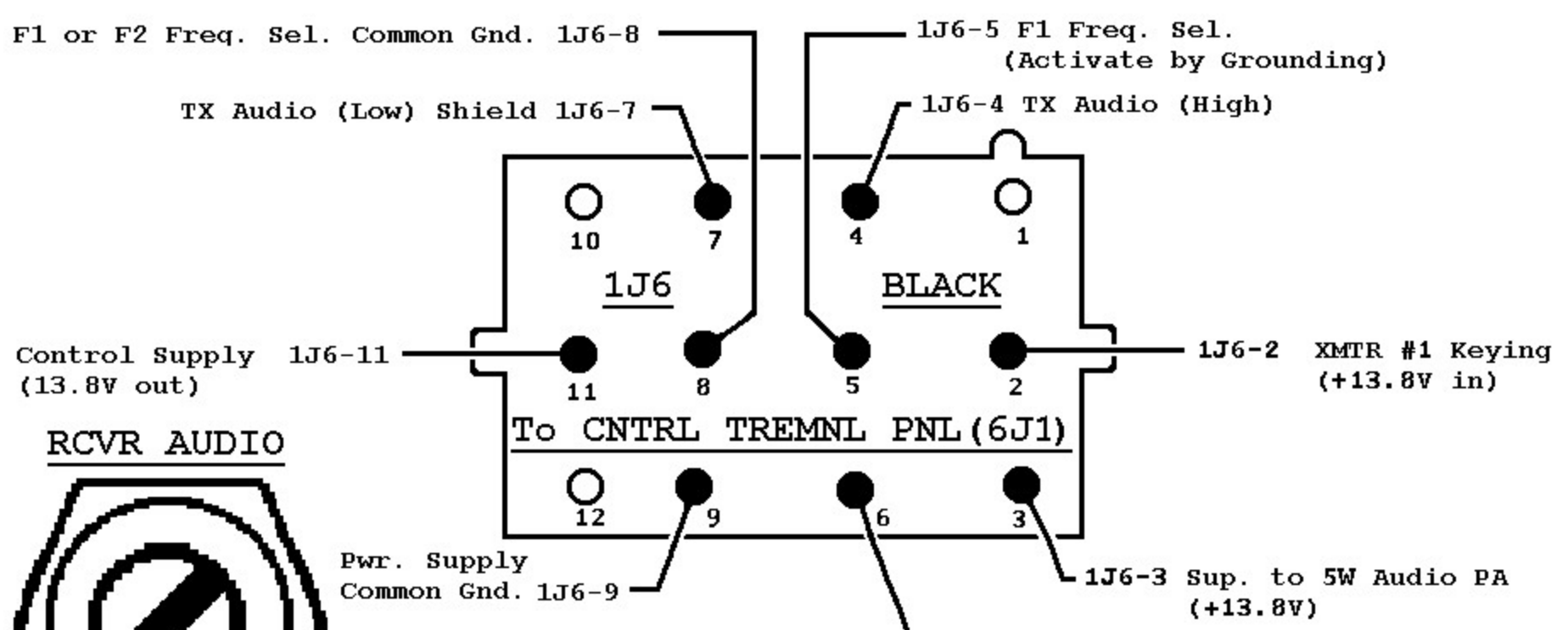
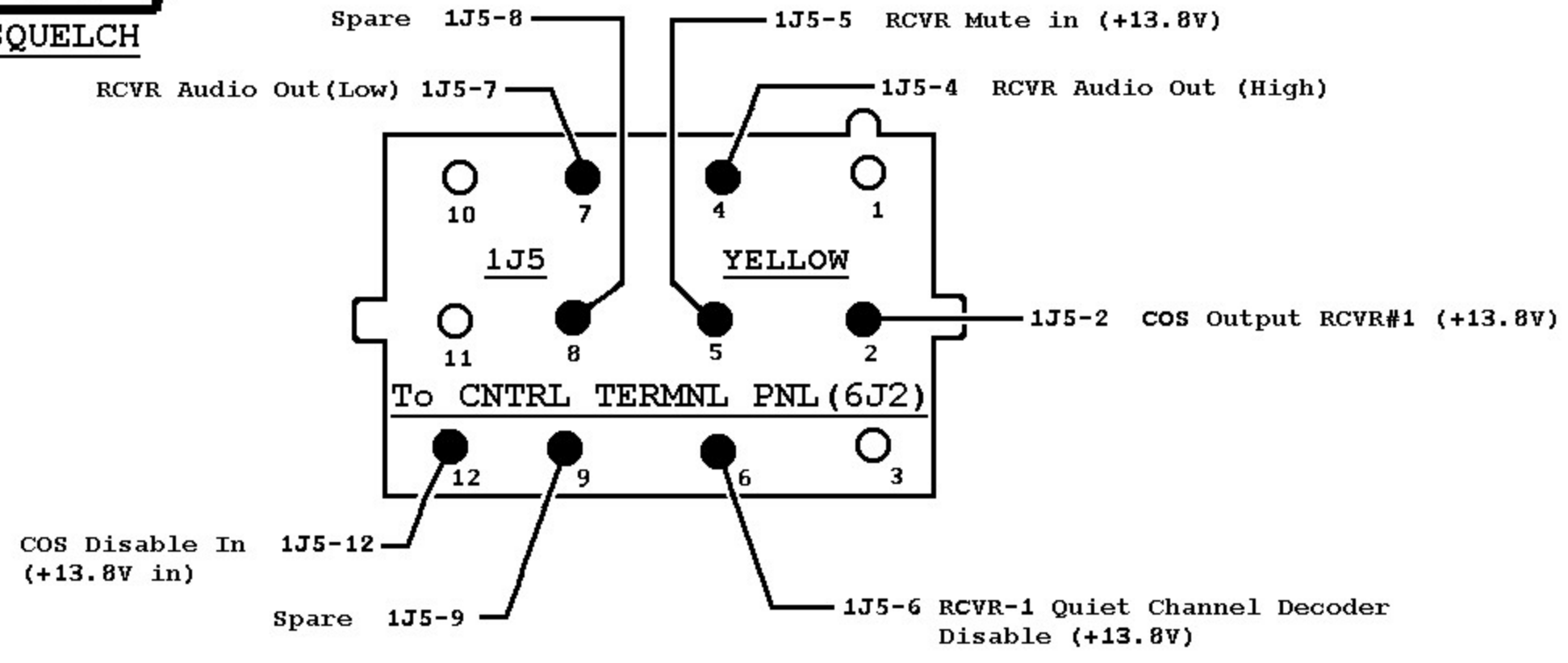
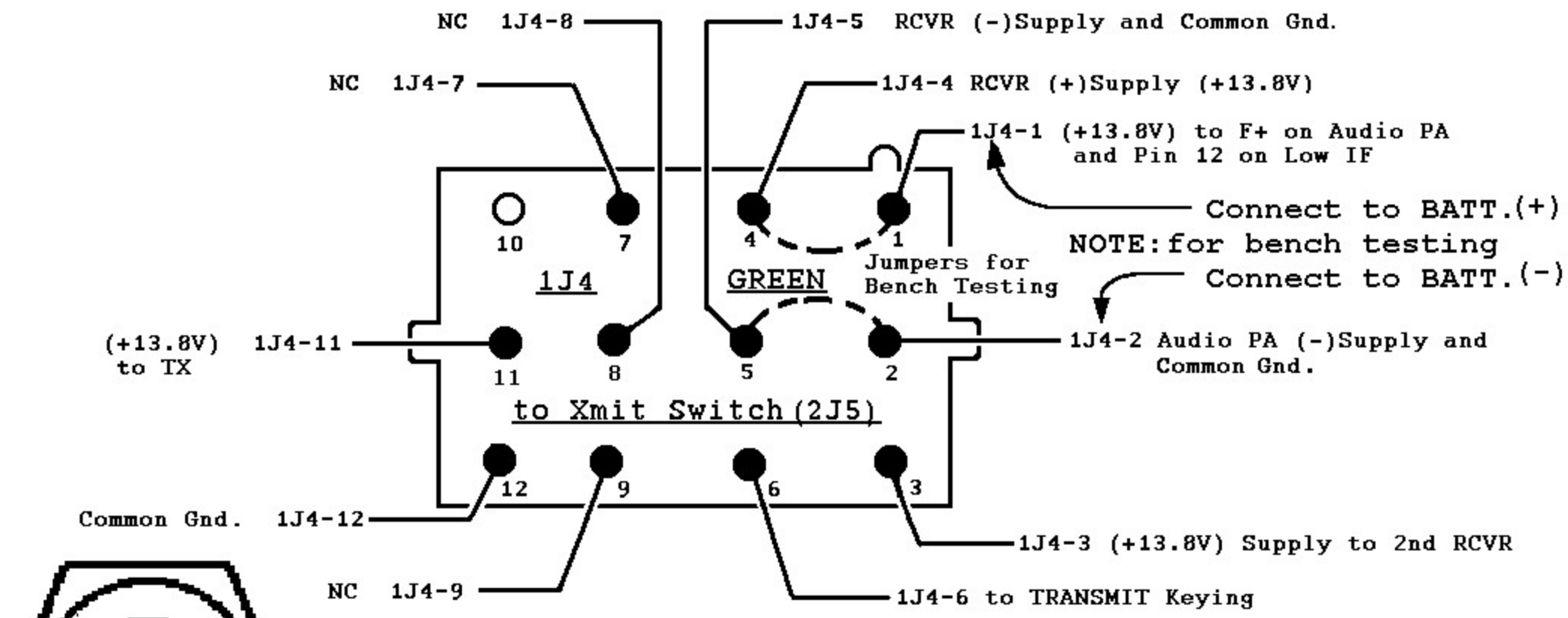


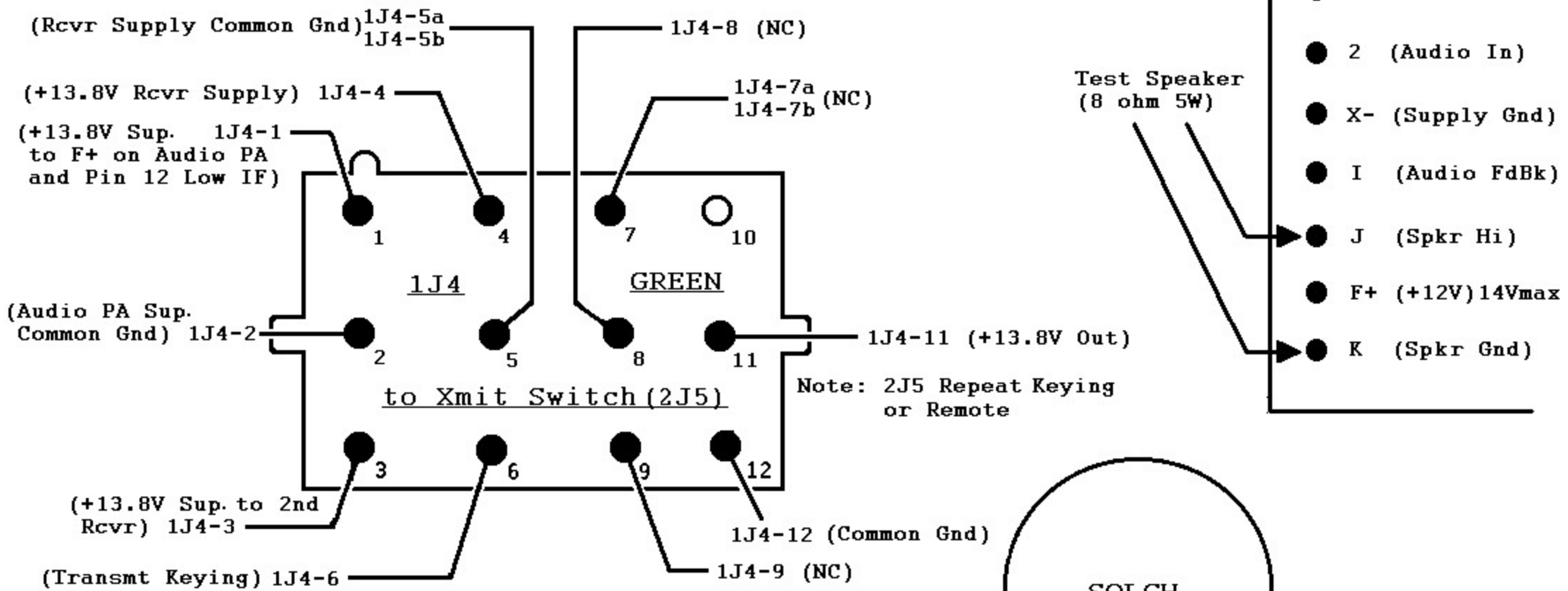
RCA ML1000 Repeater Receiver Bench Test Setup Front View
(Applies to 500 & 700 also)



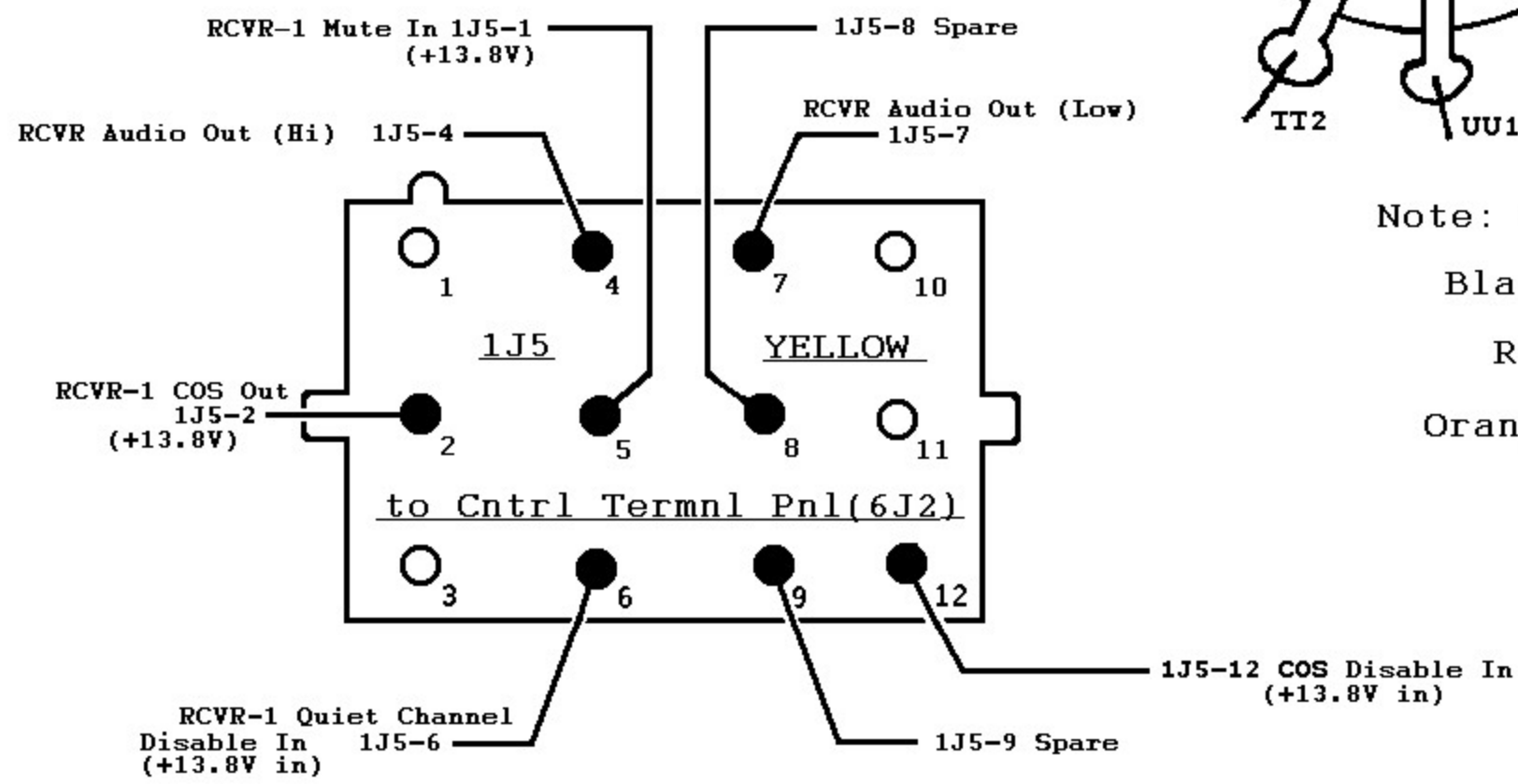
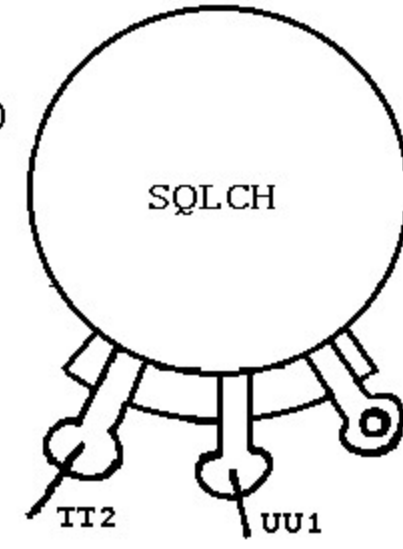
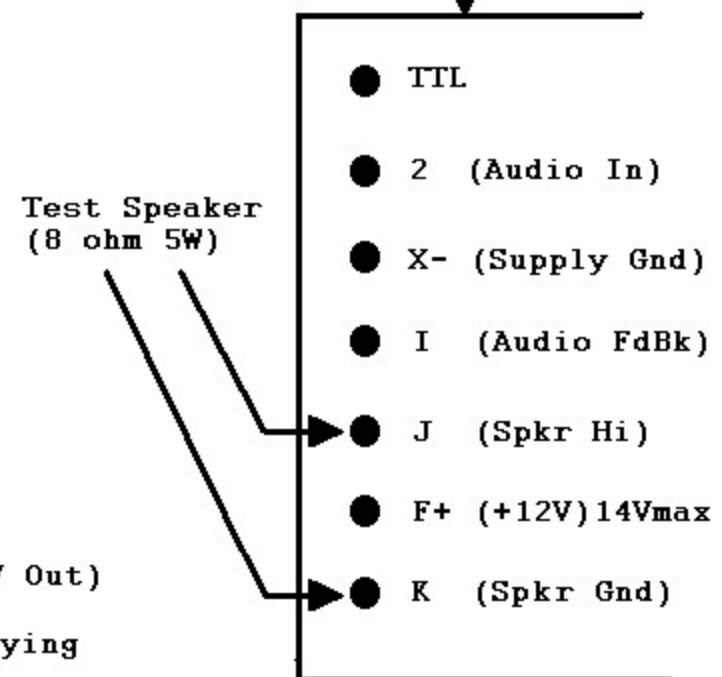
NC = No Connection
Electronically Drafted
By N3LKL, 4/19/2002

RCA ML1000 Repeater Receiver Bench Test Setup Rear View

(Applies to 500 & 700 also)



Audio Pwr Amp



Note: Reserved Wire Colors

- Black = Ground (Common)
- Red = A+ (+13.8V Sup)
- Orange = 9V+ (+9.0V Sup)
- = Pin Connection
- = No Pin / No Connection

