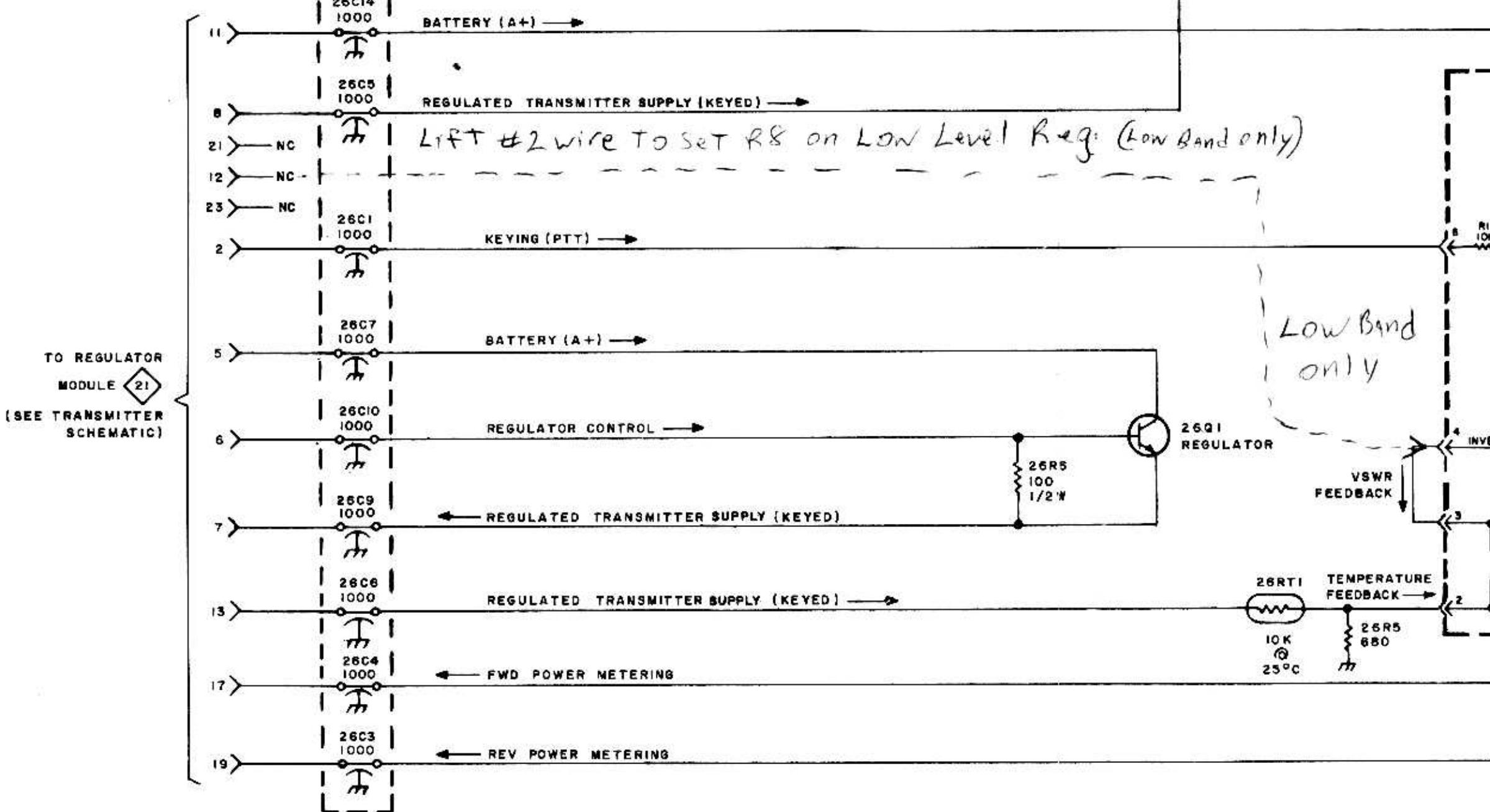
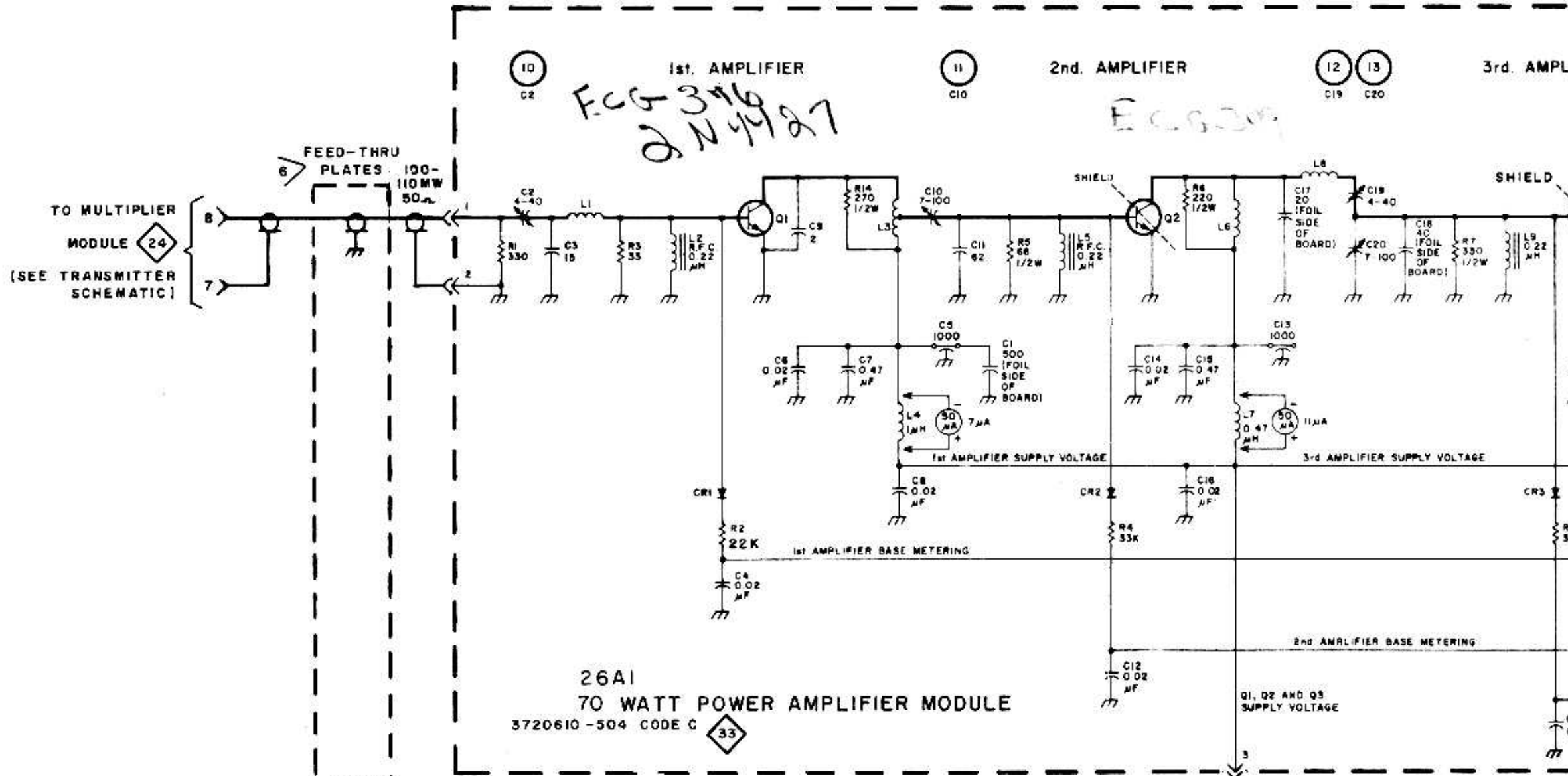
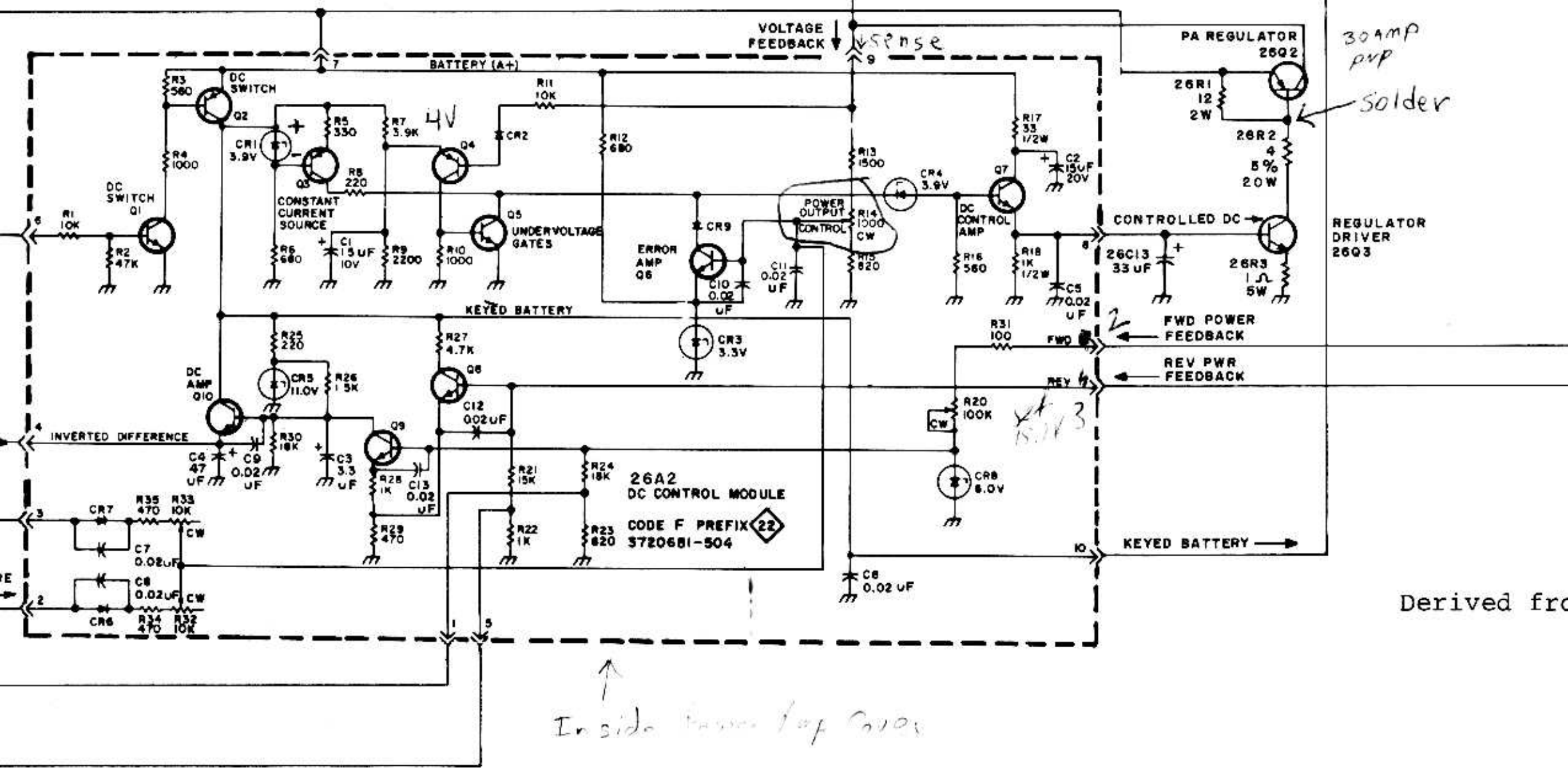
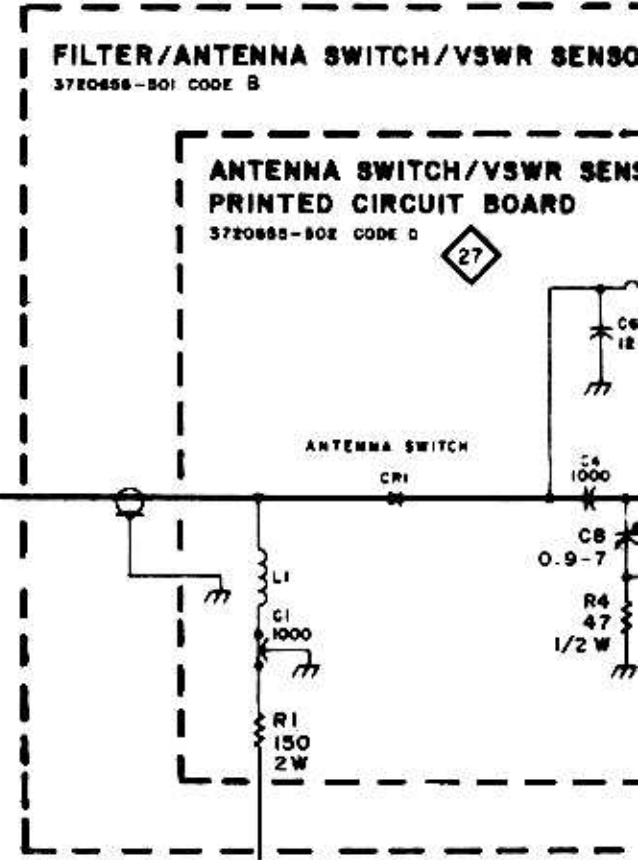
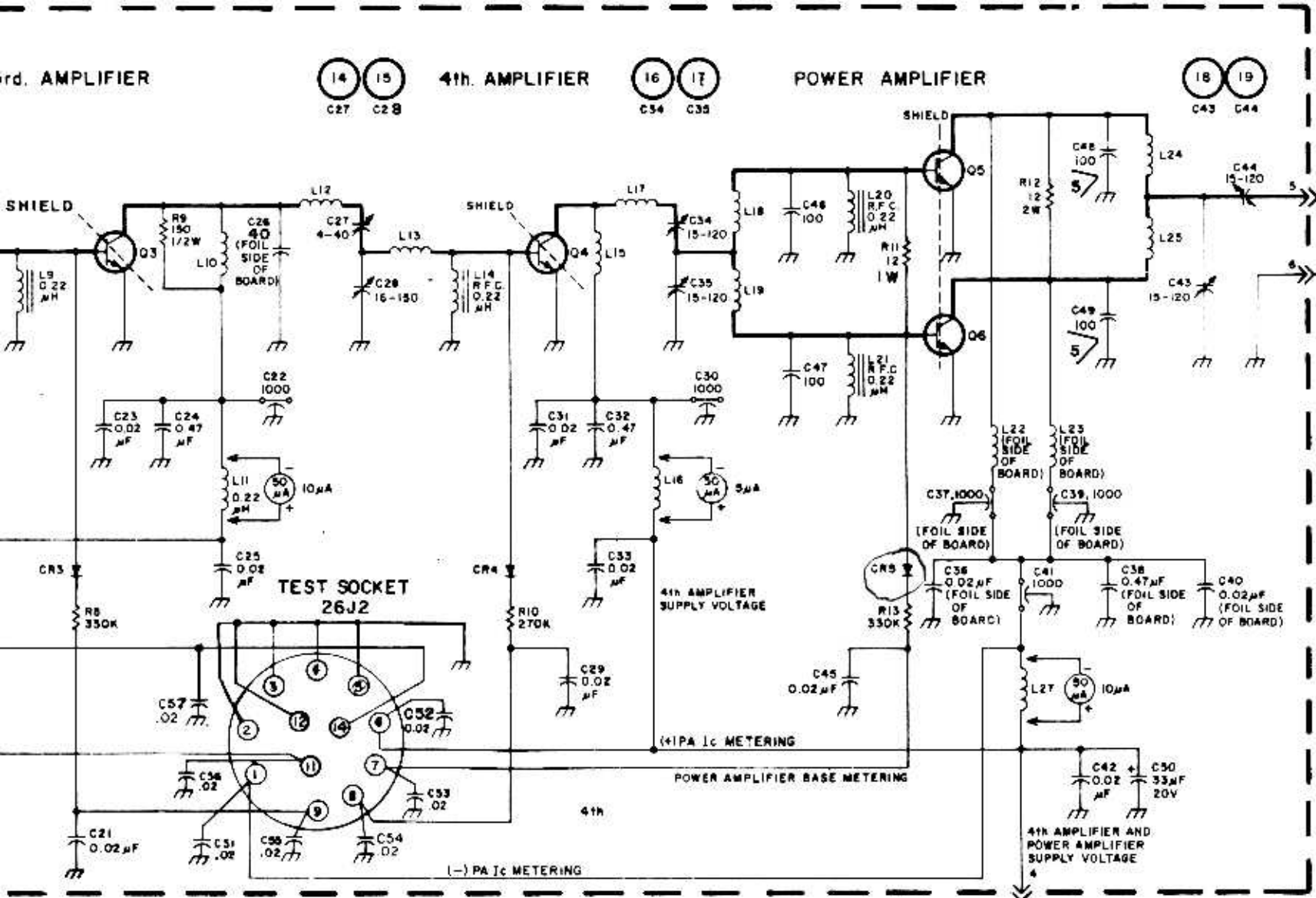


185-245-1

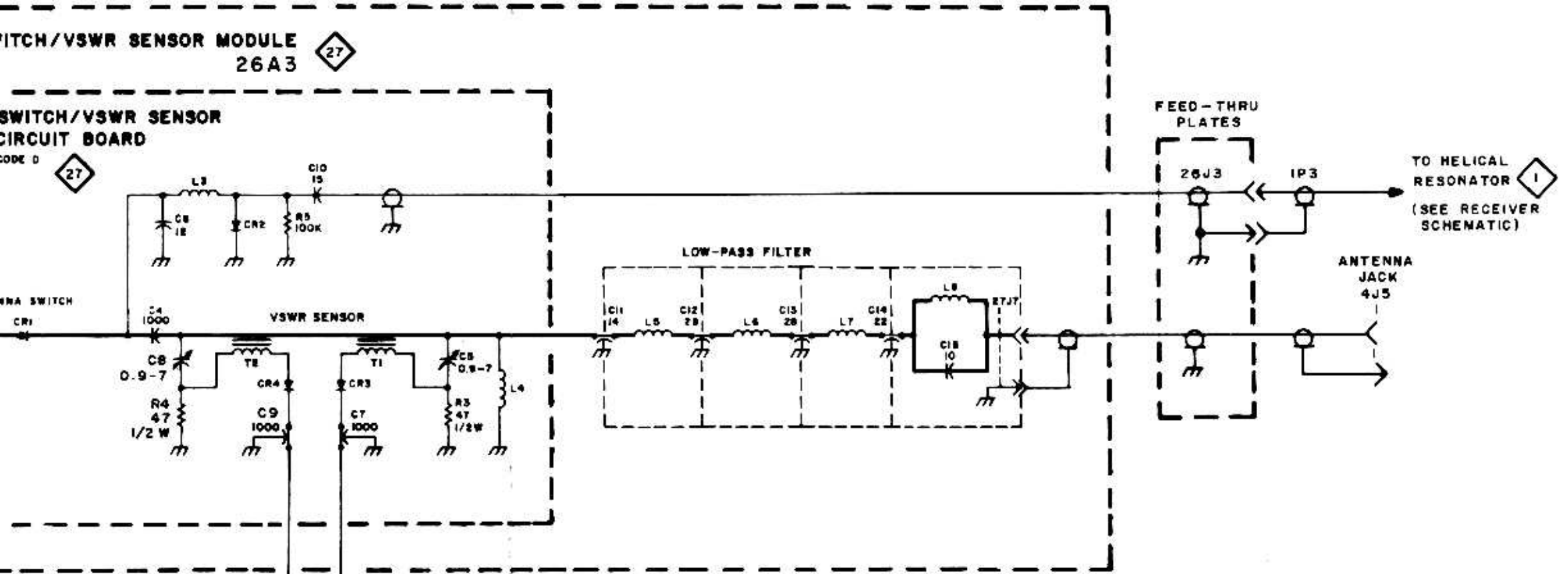




30AMP PVP
Solder

↑
Inside Power Top Cover

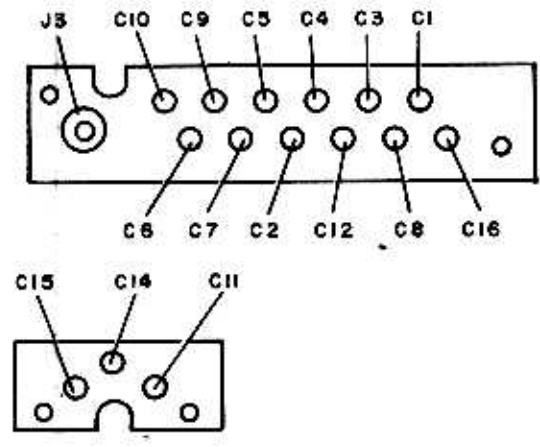
Derived from



- NOTES:
1. ALL RESISTANCE VALUES ARE IN OHMS, 10%, 1/4W, UNLESS OTHERWISE NOTED.
 2. ALL CAPACITANCE VALUES ARE IN PICOFARADS, UNLESS OTHERWISE NOTED.
 3. TEST SOCKET CONNECTIONS AND CORRESPONDING TEST METER SWITCH POSITIONS:

SWITCH POSITIONS	26J2 PIN CONNECTIONS		26J2 TOP VIEW
A	14	12	
B	11	5	
C	9	4	
D	8	3	
E	7	2	
F	6	1	

4. = TUNING ADJUSTMENTS
C2
5. C48 & C49 ARE NOT USED IN THE 132-148 MHz BAND.
6. FEEDTHRU PLATES:



Derived from 3747116

Figure 8. 150 MHz, 70 Watt Power Amplifier Schematic Diagram

22 REPLACEMENT PARTS

Symbol	Stock No.	Drawing No.	Description
	421017	3720681-504	DC CONTROL MODULE-CODE F P/L 3720681-504 Rev 1B
22C1	255900	3457334-451	Tantalum, 1.5UF 10% 10V
22C2	231679	3457334-156	Tantalum, 1.5UF 20% 20V
22C3	249692	3457334-093	Tantalum, 3.3UF 20% 15V
22C4	421435	3457334-095	Tantalum, 4.7UF 20% 15V
22C5	233878	3463453-118	Ceramic, 0.02MFD, +80-20%, 25V
22C6			
Thru	232752	3460490-015	Disc, 0.02MFD +80-20% 25V
22C13			
22CR1	249694	3731199-006	Diode, Zener 3.9V
22CR2	242522	3464611-001	Diode, Silicon
22CR3	421481	3731199-104	Diode, Zener 3.3V 5%
22CR4	421009	3722331-102	Diode, Zener 3.9V 5%
22CR5	246976	3457639-005	Diode, Zener 11.0V
22CR6	242522	3464611-001	Diode, Silicon
22CR7	242522	3464611-001	Diode, Silicon
22CR8	421004	3720731-006	Diode, Zener 6.0V 5%
22CR9	242522	3464611-001	Diode, Silicon
22Q1	242758	3468182-001	Transistor, Silicon
22Q2			
Thru	242760	3468183-001	Transistor, Silicon
22Q4			
22Q5	242758	3468182-001	Transistor, Silicon
22Q6	242758	3468182-001	Transistor, Silicon
22Q7	230254	3463099-001	Transistor, Silicon
22Q8			
Thru	242758	3468182-001	Transistor, Silicon
22Q10			
22R1	218499	99206-074	10K Ohms 10% 1/4W
22R2	108871	99206-082	47K Ohms 10% 1/4W
22R3	227741	99206-059	560 Ohms 10% 1/4W
22R4	108865	99206-062	1000 Ohms 10% 1/4W
22R5	219458	99206-056	330 Ohms 10% 1/4W
22R6	285442	99206-060	680 Ohms 10% 1/4W
22R7	285405	99206-069	3900 Ohms 10% 1/4W
22R8	218758	99206-054	220 Ohms 10% 1/4W
22R9	108866	99206-066	2200 Ohms 10% 1/4W
22R10	108865	99206-062	1000 Ohms 10% 1/4W
22R11	218499	99206-074	10K Ohms 10% 1/4W
22R12	227741	99206-059	560 Ohms 10% 1/4W
22R13	219459	99206-064	1500 Ohms 10% 1/4W
22R14	236640	3463187-008	Variable, 1000 Ohms
22R15	300690	99206-061	820 Ohms 10% 1/4W
22R16	227741	99206-059	560 Ohms 10% 1/4W
22R17	502033	82283-044	33 Ohms 10% 1/2W
22R18	502210	82283-062	1000 Ohms 10% 1/2W
22R20	249930	3463187-010	100K Ohms
22R21	108869	99206-076	15K Ohms 10% 1/4W
22R22	108865	99206-062	1000 Ohms 10% 1/4W
22R23	300690	99206-061	820 Ohms 10% 1/4W
22R24	108870	99206-077	18K Ohms 10% 1/4W
22R25	218758	99206-054	220 Ohms 10% 1/4W
22R26	219459	99206-064	1500 Ohms 10% 1/4W
22R27	300739	99206-070	4700 Ohms 10% 1/4W
22R28	108865	99206-062	1000 Ohms 10% 1/4W
22R29	108864	99206-058	470 Ohms 10% 1/4W

22

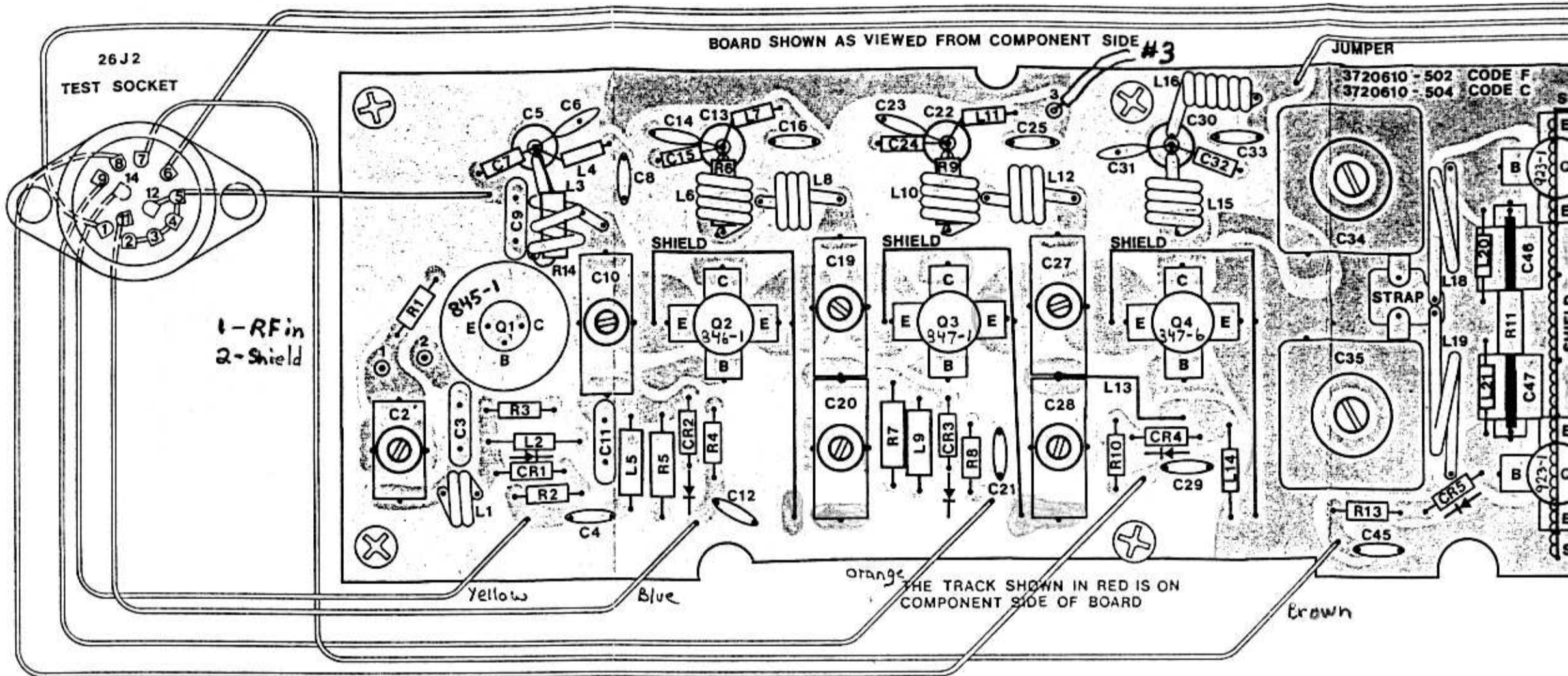
REPLACEMENT PARTS

Symbol	Stock No.	Drawing No.	Description
22R30	108870	99206-077	18K OHMS 10% 1/4W
22R31	108861	99206-050	100 OHMS 10% 1/4W
22R32	249929	3463187-009	VARIABLE, 10K OHMS
22R33	249929	3463187-009	VARIABLE, 10K OHMS
22R34	108864	99206-058	470 OHMS 10% 1/4W
22R35	108864	99206-058	470 OHMS 10% 1/4W
	248228	8985442-001	WASHER, INSULATOR, FOR Q7
	228124	3450797-003	CONTACT PIN, (PACKAGE OF 5)
			PA REGULATOR COMPONENTS - MOUNTED EXTERNAL TO THE DC CONTROL MODULE - NOT PART OF P/L 3720681-504
	249711	3731353-001	REGULATOR TRANSISTOR (PNP)
	232628	3463100-001	DRIVER TRANSISTOR (NPN)
	240143	3463424-001	REGULATOR TRANSISTOR SOCKET
	240243	3464535-001	DRIVER TRANSISTOR SOCKET
	522012	99126-039	12 OHMS, 10% 2W
	256444	3465422-036	4 OHMS, 5% 20W
	249693	3450123-072	1 OHM, 10% 5W



REPLACEMENT PARTS

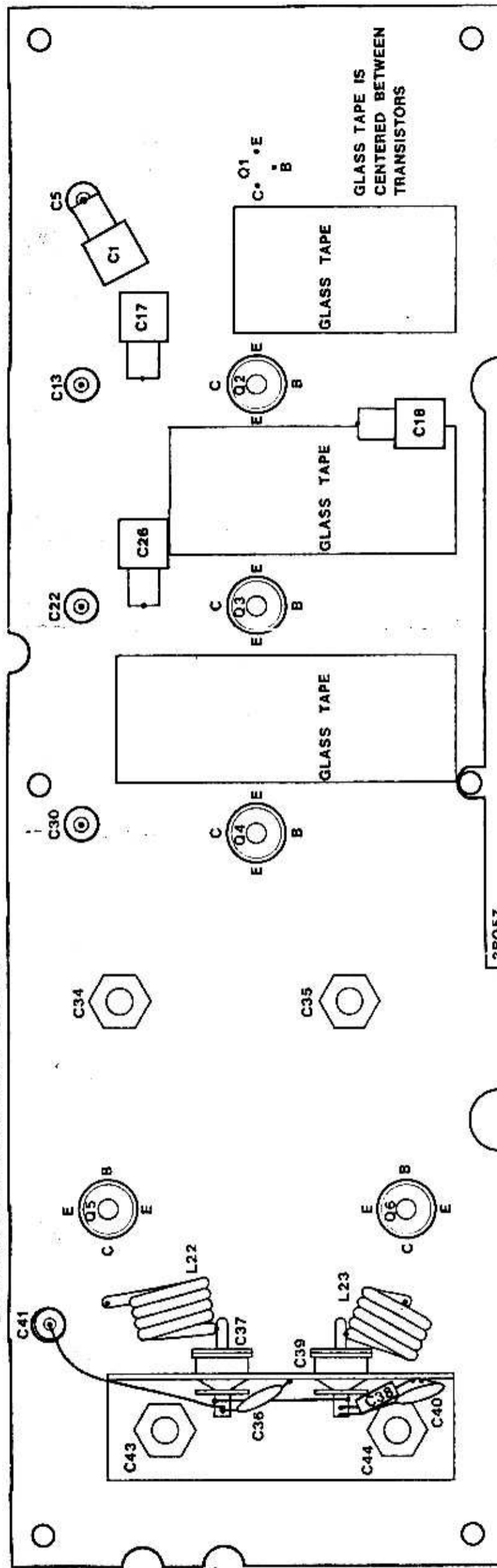
Symbol	Stock No.	Drawing No.	Description
	419423	3720655-501	FILTER/ANTENNA SWITCH/VSWR SENSOR MODULE-CODE B P/L 3720655-501 REV 16
27C11	428066	3723114-020	Feed-Thru, 14PFD 5% 500V
27C12	428064	3723114-022	Feed-Thru, 28PFD 5% 500V
27C13	428064	3723114-022	Feed-Thru, 28PFD 5% 500V
27C14	428065	3723114-022	Feed-Thru, 22PFD 5% 500V
27C15	219668	757607-014	Mica, 10PFD ±0.5PFD 500V
27J7	104039	8848262-002	Phono Jack
27L5	418668	3720929-003	Coil-Filter
27L6	418667	3720929-002	Coil-Filter
27L7	418667	3720929-002	Coil-Filter
27L8	418666	3720929-001	Coil-Filter
	248538	3454702-001	Screw, Taptite "6-32 x 1/4" (6 Used)
		3720655-502	Antenna Switch/VSWR Sensor Printed Circuit Board - Code D P/L 3720655-502 REV 16
27C1	112720	3450097-003	Feed-Thru, 1000PF
27C2	418657	3731259-278	Variable, 4-40PF
27C3	300196	3731348-258	Mica, 1000PF 5% 500V
27C4	300196	3731348-258	Mica, 1000PF 5% 500V
27C5	249696	3731259-276	Variable, 0.9-7PF
27C6	300546	3731348-212	Mica, 12PF 5% 500V
27C7	112720	3450097-003	Feed-Thru, 1000PF
27C8	249696	3731259-276	Variable, 0.9-7PF
27C9	112720	3450097-003	Feed-Thru, 1000PF
27C10	300196	3468205-206	Mica, 15 PF 5% 500V
27CR1	431850	3727085-001	Diode - PIN
27CR2	431852	3727085-003	Diode - PIN
27CR3	242522	3464611-001	Diode - Silicon
27CR4	242522	3464611-001	Diode - Silicon
27L1	243248	3465844-139	Choke - R.F., 2.2UH 20%
27L2	418669	3720918-001	Coil - Switch
27L3	418670	3468336-060	Coil - Switch
27L4	243248	3465844-139	Choke - R.F., 2.2UH 20%
27R1	522115	99126-052	150 Ohms 10% 2W
27R2	223769	99206-086	100,000 Ohms 10% 1/4W
27R3	502047	82283-046	47 Ohms 10% 1/2W
27R4	502047	82283-046	47 Ohms 10% 1/2W
27R5	223769	99206-086	100,000 Ohms 10% 1/4W
	228192	3450825-001	Socket 0.093 Diameter (5 Used) (Package of 5)



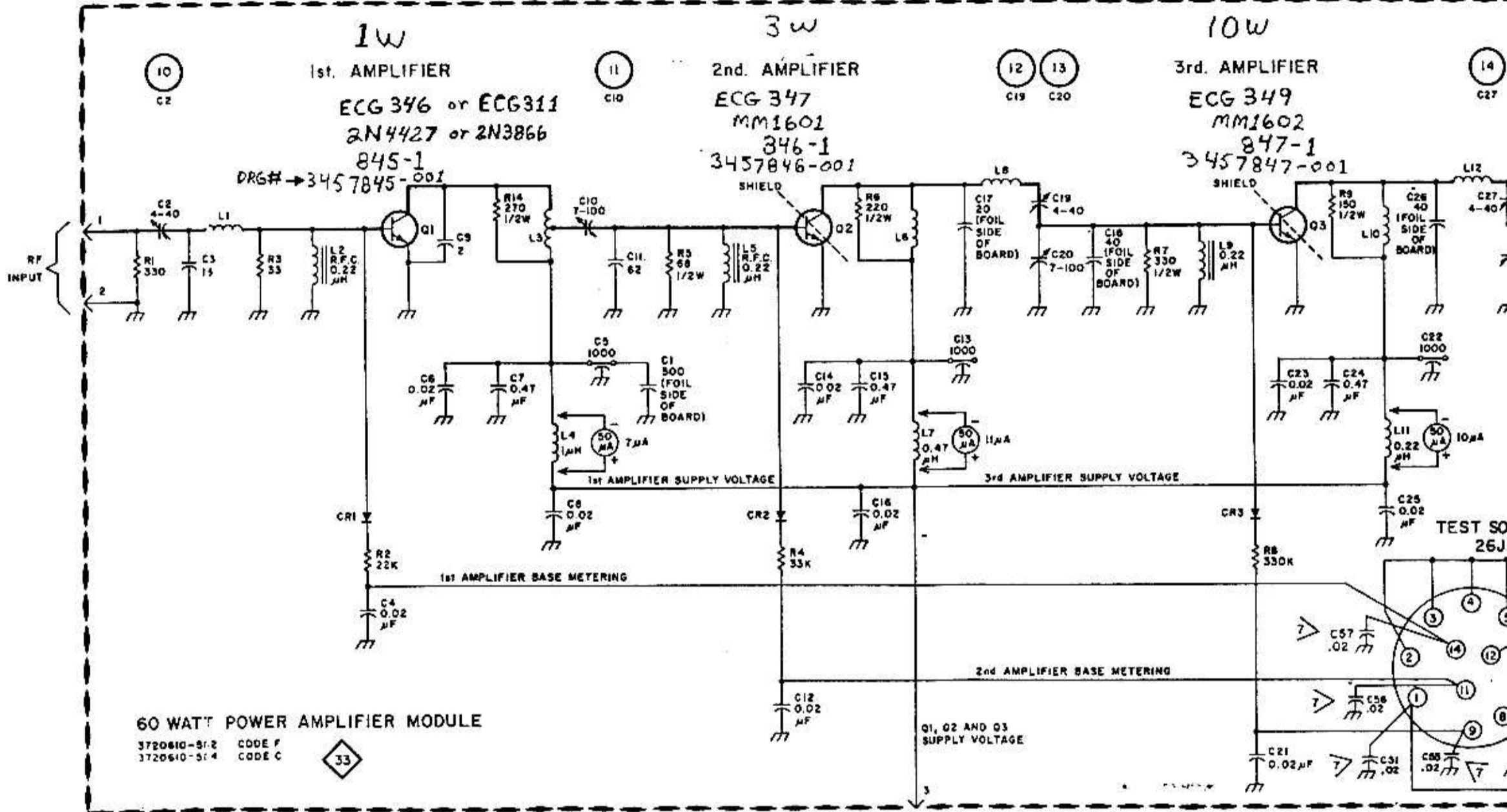
3720610-502/504
60 / 70 WATT
POWER AMPLIFIER MODULE

33

BOARD SHOWN AS VIEWED FROM FOIL SIDE



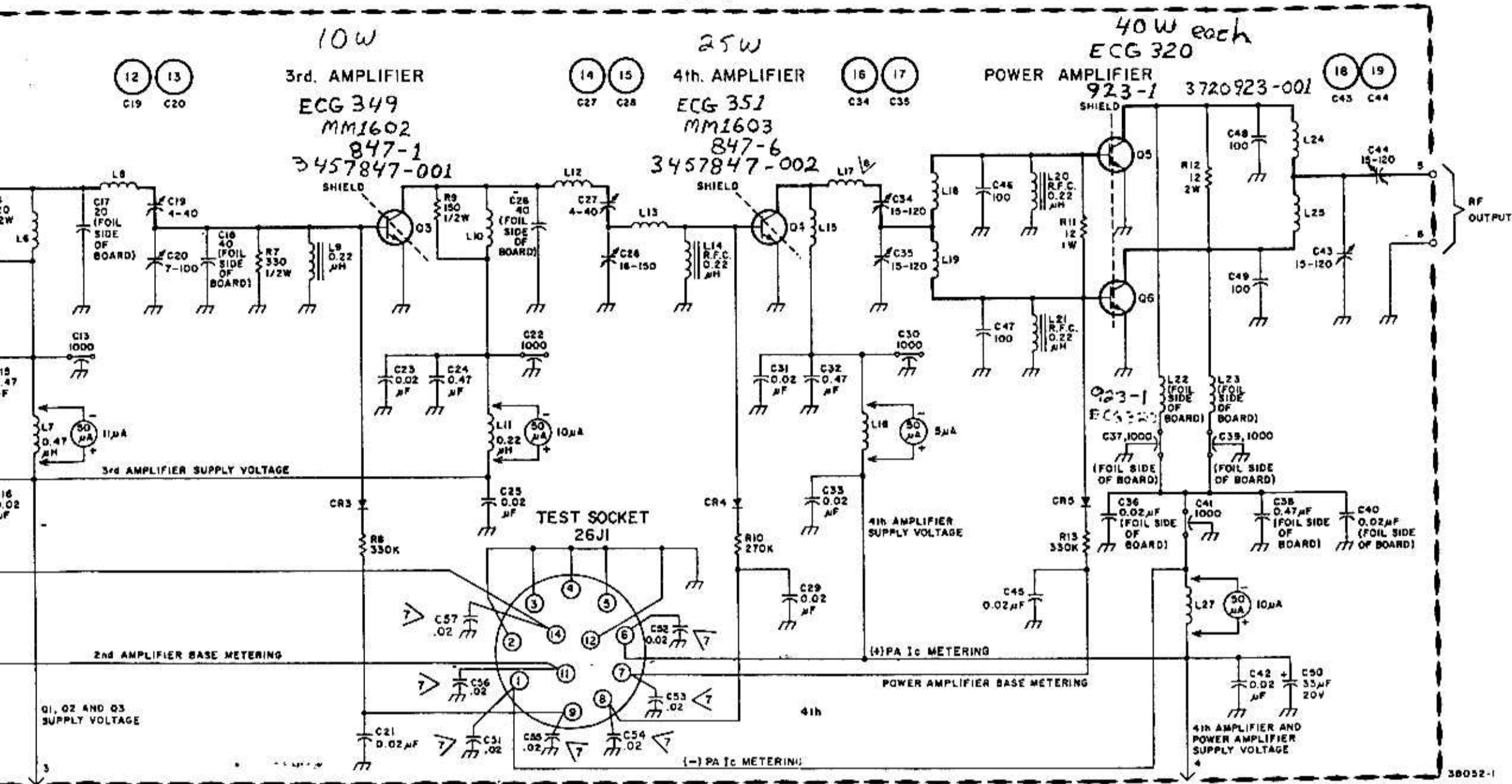
SK 3176



SK3176

SK3177

SK9605



300 300

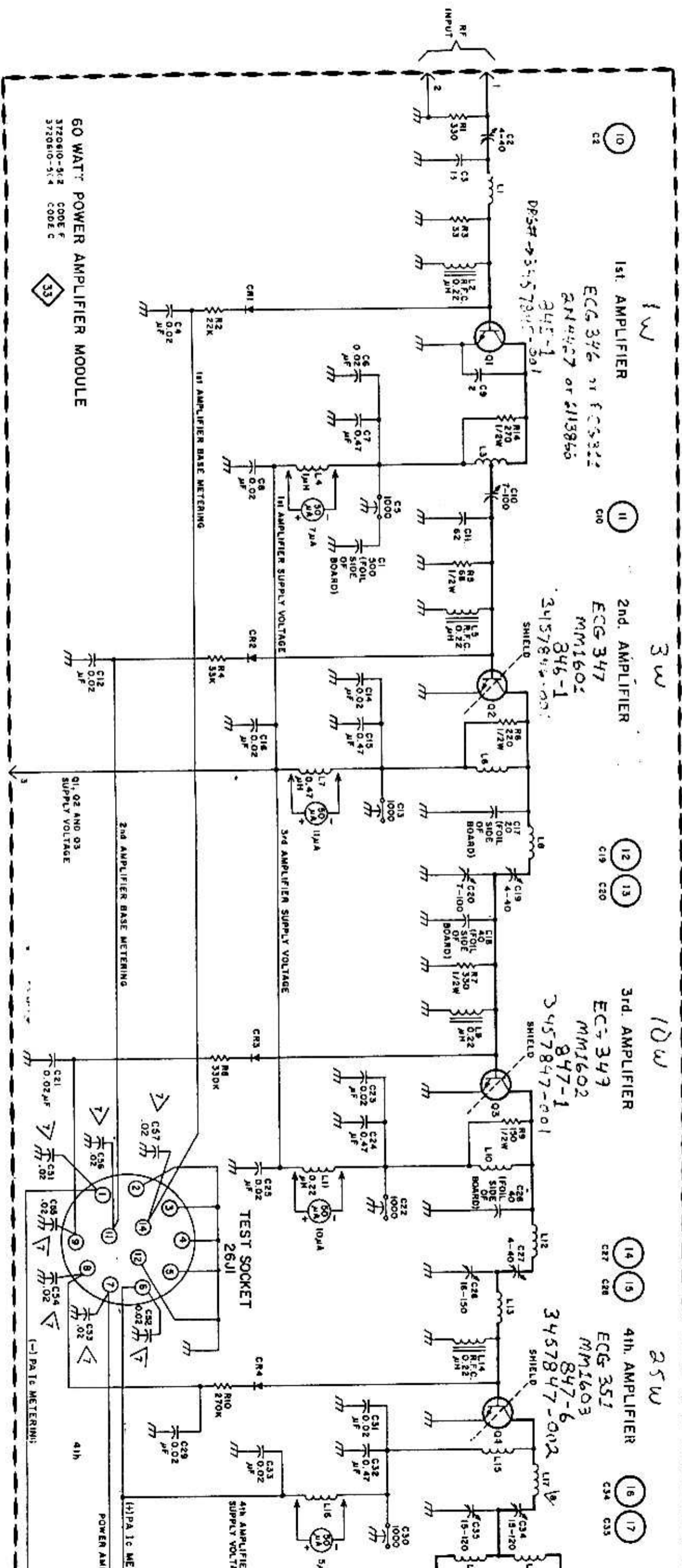
300 300

300 300

300 300

SKS10

SKS10



60 WATT POWER AMPLIFIER MODULE
 3720610-5K2 CODE F
 3720610-5K4 CODE C

33

- 10 1st. AMPLIFIER ECG 346 or 605322 2N4427 or 2N3850
- 11 2nd. AMPLIFIER ECG 347 MM1602 346-1
- 12 3rd. AMPLIFIER ECG 349 MM1602 847-1
- 13 4th. AMPLIFIER ECG 351 MM1603 847-6
- 14
- 15
- 16
- 17

(-) PATC METERING

(+) PATC METERING

SKY 105

SK 3177

SK 3116

