

REVISION RECORD			
LTR	ECO NO:	APPROVED:	DATE:

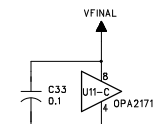
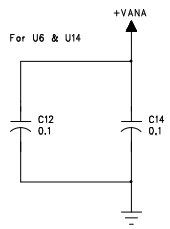
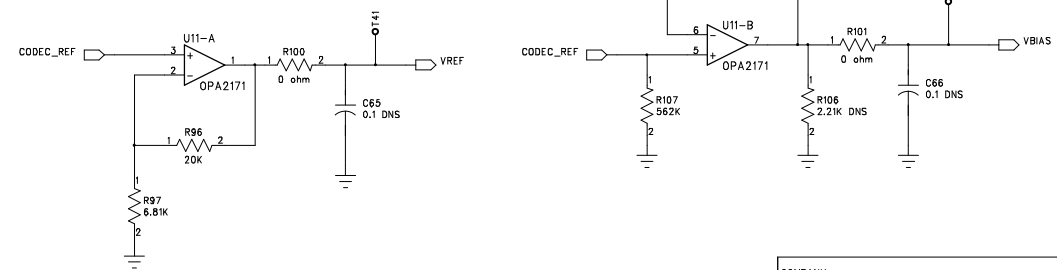
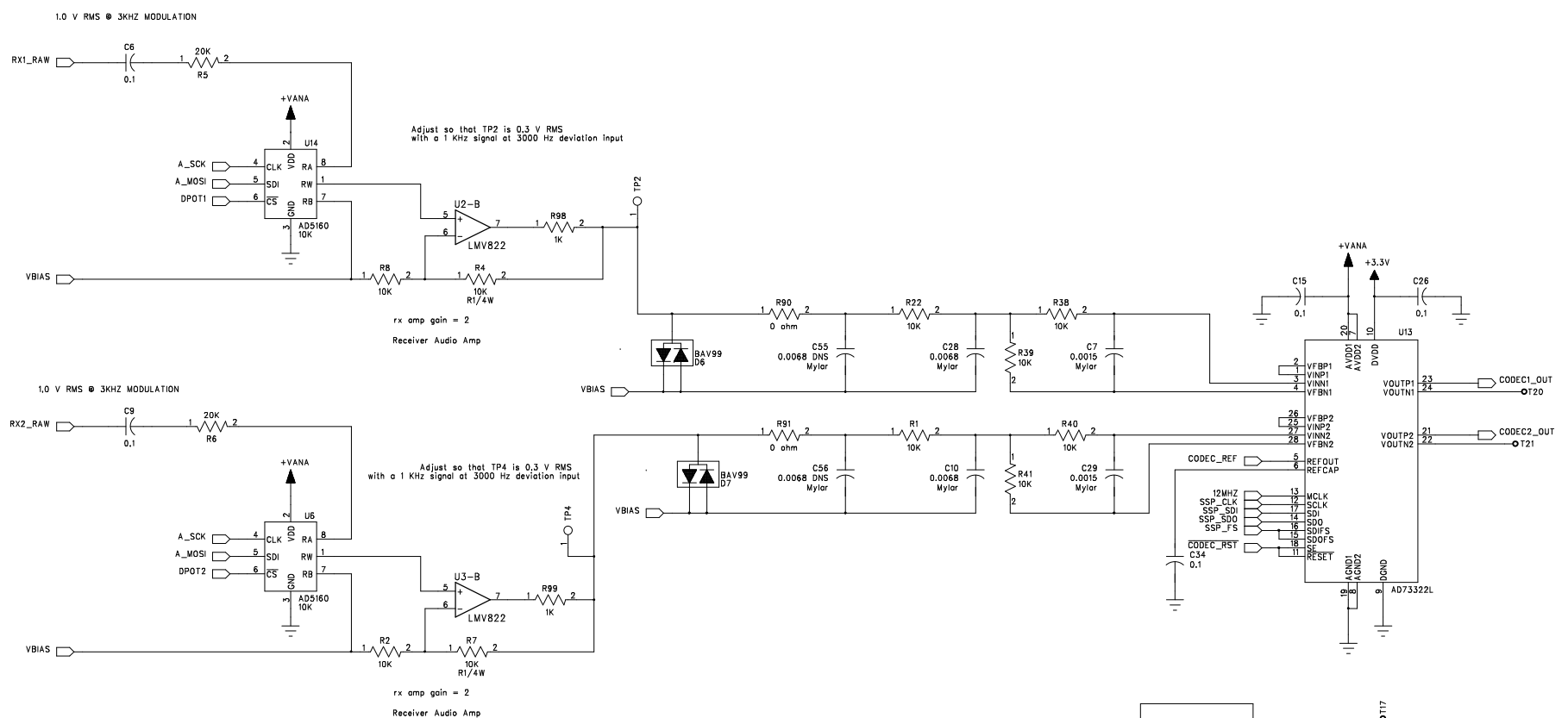
COMPANY: **Pion and Simon Electronics**
 PO Box 23651, Tigard, OR 97281

TITLE: **PSE-702 Repeater Controller**
 Copyright (C) 2012 by Pion and Simon Electronics, all rights reserved.

DRAWN: EAS / ALP	DATED: 9/28/2013	CODE:	SIZE: C	DRAWING NO:	REV: 3.2
CHECKED:	DATED:	SCALE:	SHEET: 1 OF 5		
QUALITY CONTROL:	DATED:				
RELEASED:	DATED:				

Unless otherwise noted:
 All resistance values in ohms, 1/8 watt, 5%.
 All capacitance values are in microfarads.

REVISION RECORD			
LTR	ECO NO:	APPROVED:	DATE:



Unless otherwise noted:
All resistance values in ohms, 1/4 watt, 5%.
All capacitance values are in microfarads.

COMPANY: Pion and Simon Electronics
PO Box 23651, Tigard, OR 97281

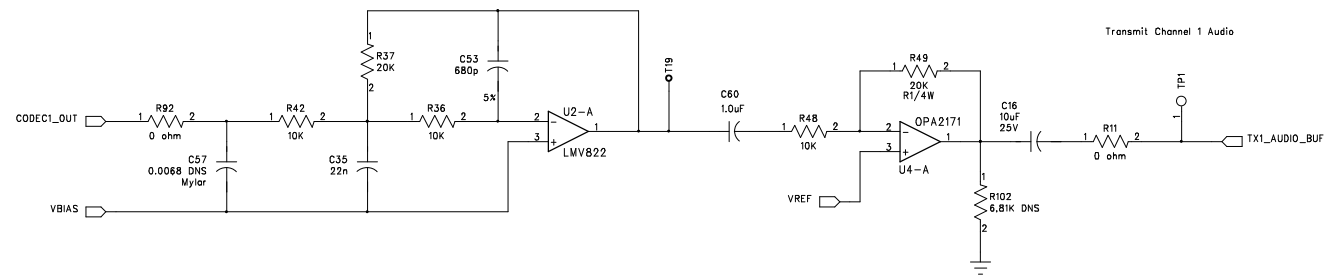
TITLE: **PSE-702 Repeater Controller**
Copyright (C) 2012 by Pion and Simon Electronics, all rights reserved.

DRAWN: EAS / ALP	DATED: 9/28/2013	CODE:	SIZE: C	DRAWING NO:	REV: 3.2
CHECKED:	DATED:				
QUALITY CONTROL:	DATED:				
RELEASED:	DATED:				

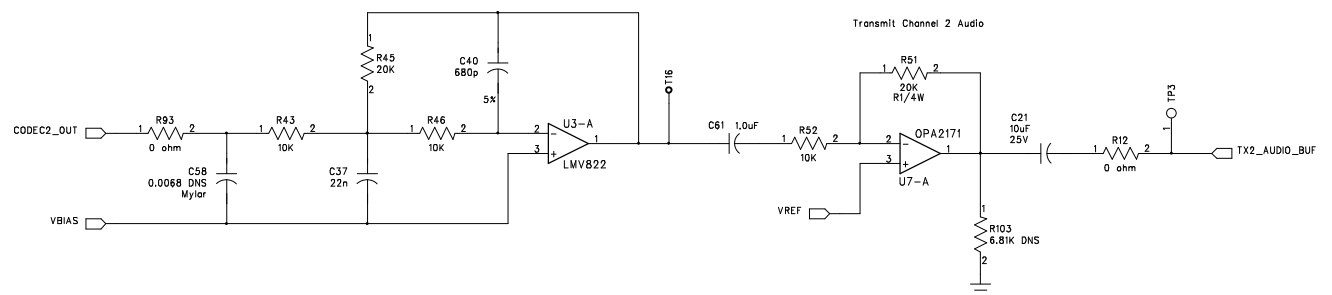
SCALE: SHEET: 2 OF 5

REVISION RECORD			
LTR	ECO NO:	APPROVED:	DATE:

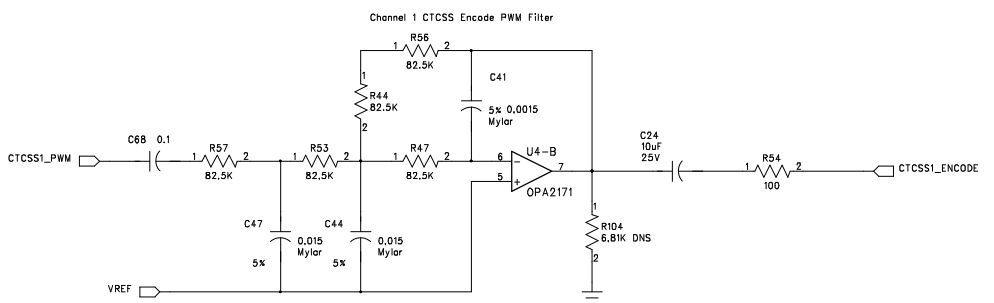
D



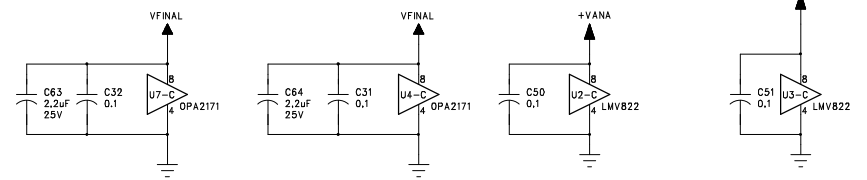
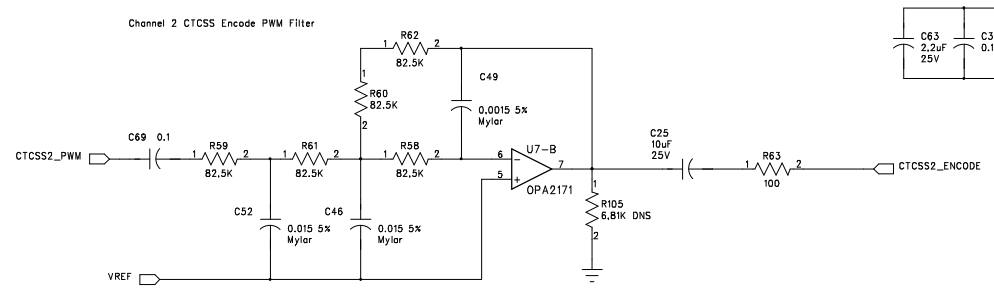
C



B



A



COMPANY: Pion and Simon Electronics
PO Box 23651, Tigard, OR 97281

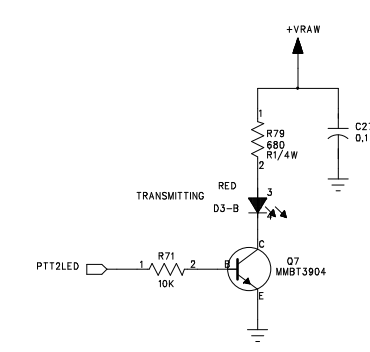
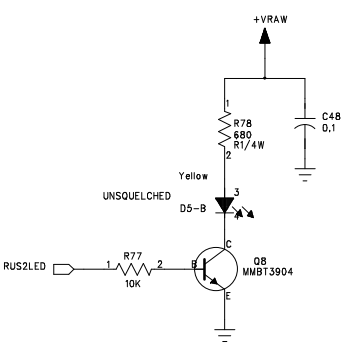
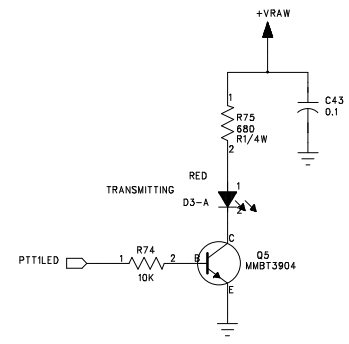
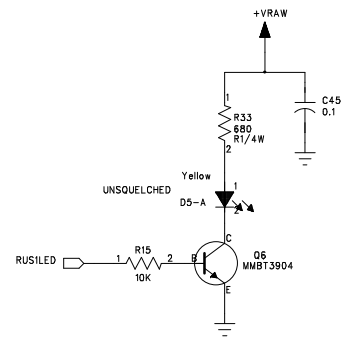
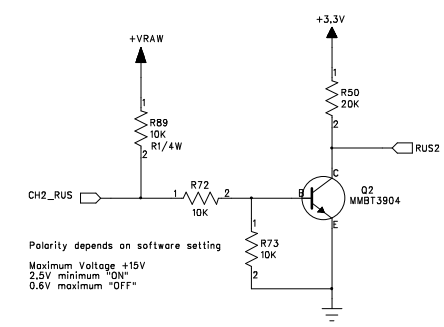
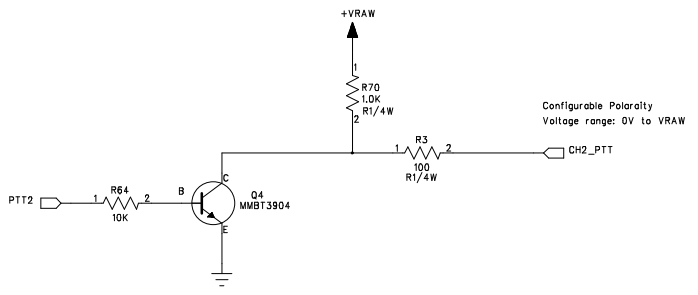
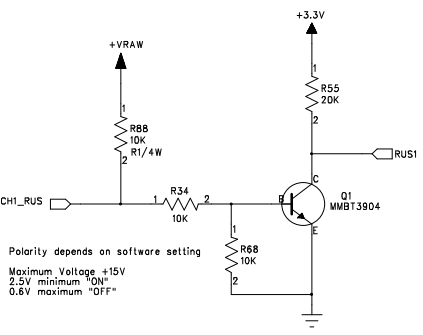
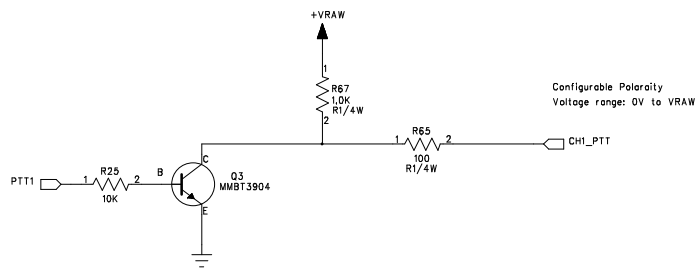
TITLE: **PSE-702 Repeater Controller**
Copyright (C) 2012 by Pion and Simon Electronics, all rights reserved.

DRAWN: EAS / ALP	DATED: 9/28/2013
CHECKED:	DATED:
QUALITY CONTROL:	DATED:
RELEASED:	DATED:

CODE:	SIZE: C	DRAWING NO:	REV: 3.2
SCALE:		SHEET: 3 OF 5	

6 5 4 3 2 1

REVISION RECORD			
LTR	ECO NO:	APPROVED:	DATE:



COMPANY: Pion and Simon Electronics
PO Box 23651, Tigard, OR 97281

TITLE: **PSE-702 Repeater Controller**
Copyright (C) 2012 by Pion and Simon Electronics, all rights reserved.

DRAWN:	EAS / ALP	DATED:	9/28/2013
CHECKED:		DATED:	
QUALITY CONTROL:		DATED:	
RELEASED:		DATED:	

CODE:	SIZE:	DRAWING NO:	REV:
	C		3.2
SCALE:			SHEET: 4 OF 5

6

5

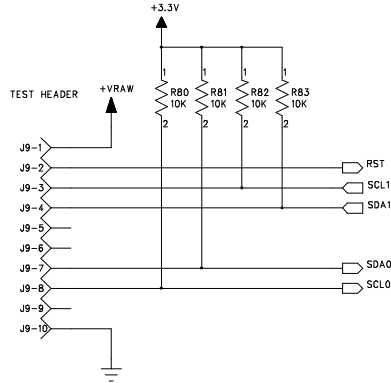
4

3

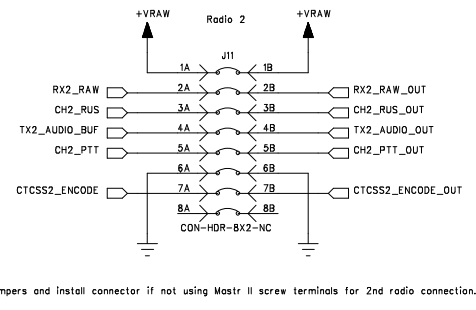
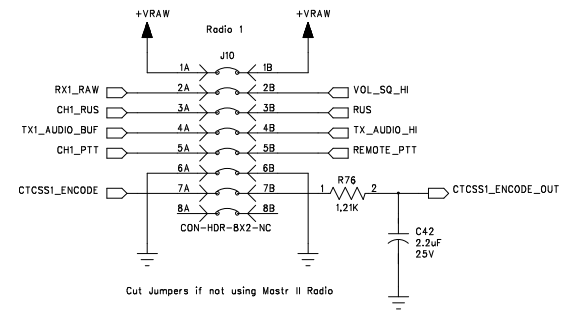
2

1

REVISION RECORD			
LTR	ECO NO:	APPROVED:	DATE:



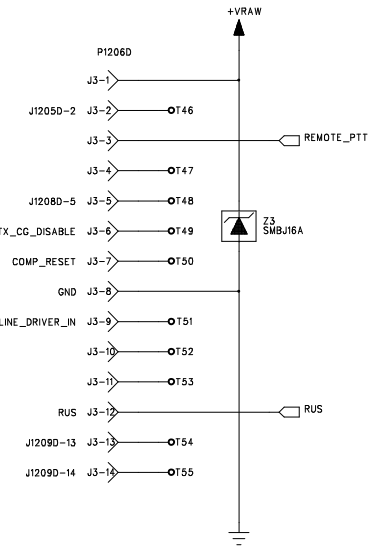
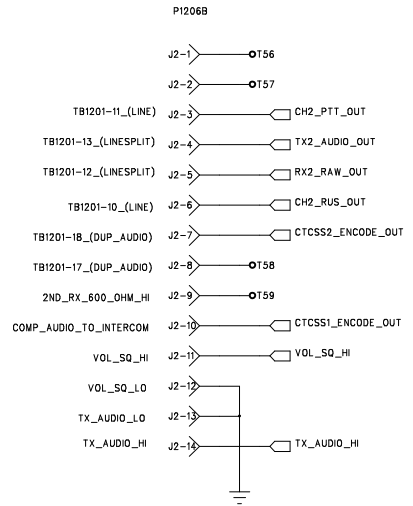
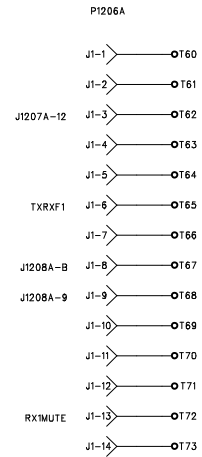
Daughter Board Connectors



Mounting hole for daughter board



Card Edge Connectors



COMPANY: Pion and Simon Electronics
 PO Box 23651, Tigard, OR 97281

TITLE: PSE-702 Repeater Controller
 Copyright (C) 2012 by Pion and Simon Electronics, all rights reserved.

DRAWN: EAS / ALP	DATED: 9/28/2013	CODE:	SIZE: C	DRAWING NO:	REV: 3.2
CHECKED:	DATED:	SCALE:	SHEET: 5 OF 5		
QUALITY CONTROL:	DATED:				
RELEASED:	DATED:				

D

C

B

A

D

C

B

A