

This service manual mainly covers TK-760HG K, M and TK-762HG K.
If information you require is missing from this service manual.
Please refer to the B51-8497-10 service manual.

TK-760HG (K)



TK-762HG (K)



TK-760HG/762HG

CONTENTS

OPERATING FEATURES	3
REALIGNMENT	4
INSTALLATION	5
PARTS LIST	8
EXPLODED VIEW	16
PACKING	18
ADJUSTMENT	19
PC BOARD VIEWS	
DISPLAY UNIT (X54-3270-10) : TK-760HG	28
DISPLAY UNIT (X54-3280-10) : TK-762HG	29
PLL/VCO (X58-4670-10)	30
TX-RX UNIT (X57-5950-XX) (A/2)	31
TX-RX UNIT (X57-5950-XX) (B/2)	37
SCHEMATIC DIAGRAM	41
BLOCK DIAGRAM	49
LEVEL DIAGRAM	52
TERMINAL FUNCTION	54
SPECIFICATIONS	55

TK-760HG/762HG

OPERATING FEATURES

Emergency

Pressing this key for longer than 1 second causes the transceiver to enter the emergency mode. The transceiver jumps to the programmed "Emergency the group and channel" and transmits for 25 seconds.

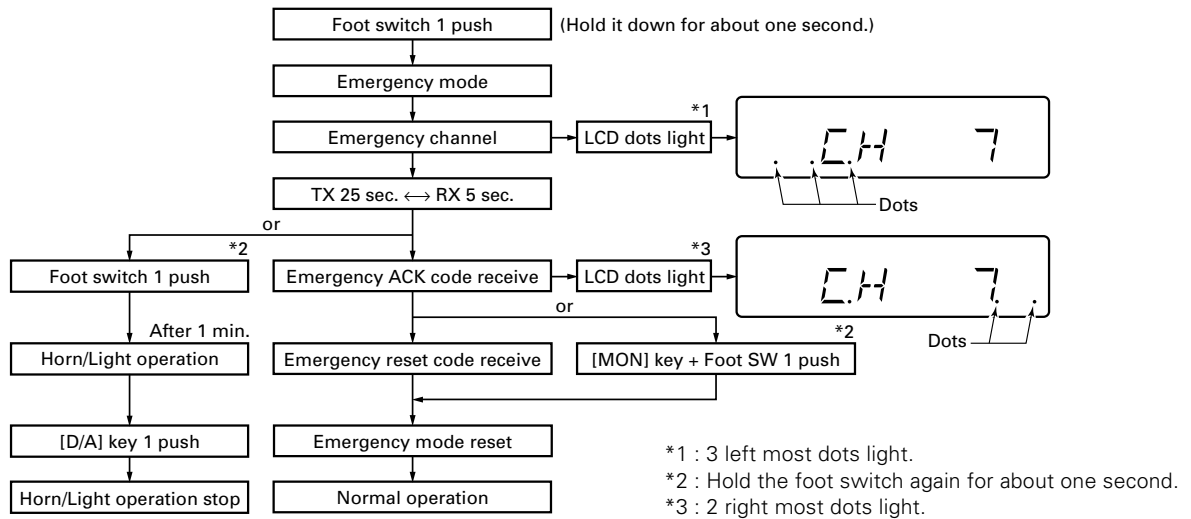
The transceiver disables mic mute while transmitting. After finishing transmission, the transceiver receives for 5 seconds. The transceiver mutes the speaker while receiving. Following the above sequence, the transceiver continues to transmit and receive.

Radio Password (TK-760HG only)

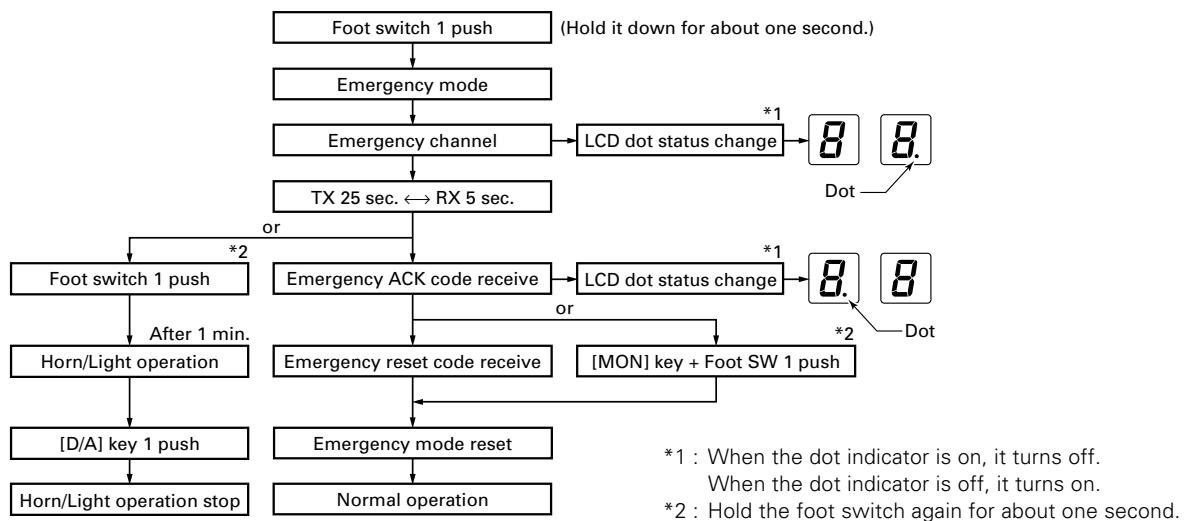
When the password is set in the transceiver, user can not use the transceiver unless enter the correct password.

This code can be up to 6 digits from 0 to 9 and input with the key, and "SCN" key.

■ Emergency mode system chart (TK-760HG)



■ Emergency mode system chart (TK-762HG)



TK-760HG/762HG

REALIGNMENT

Clone Mode

Programming data can be transferred from one radio to another by connecting them via their modular microphone jacks. The operation is as follows (the transmit radio is the master and the receive radio is the slave).

1. Turn the master TK-760HG power ON with the [▼] key held down. If the password is set to the TK-760HG, the TK-760HG displays "CLN LOCK". If the password is not set, the TK-760HG displays "CLONE".
2. When "CLN LOCK" is displayed, only the [CH▲/▼] key and [SCN], and [0] to [9] keys can be accepted. When you enter the correct password, and "CLONE" is displayed, the TK-760HG can be used as the cloning master. The following describes how to enter the password.
3. How to enter the password with the microphone keypad; If you press a key while "CLN LOCK" is displayed, the number that was pressed is displayed on the TK-760HG. Each press of the key shifts the display in order to the left. When you enter the password and press the [SCN] key, "CLONE" is displayed if the entered password is correct. If the password is incorrect, "CLN LOCK" is redisplayed.
How to enter the password with the [CH▲/▼] key; If the [CH▲/▼] key is pressed while "CLN LOCK" is displayed, numbers (0 to 9) are displayed flashing. When you press the [SCN] key, the correctly selected number is determined, and the display shifts to the left. If you press the [SCN] key after entering the password in this procedure, "CLONE" is displayed if the entered password is correct. If the password is incorrect, "CLN LOCK" is redisplayed.
4. Power on the slave TK-760HG/762HG.
5. Connect the cloning cable (No. E30-3382-05) to the modular microphone jacks on the master and slave.
6. Press the [SCN] key on the master while the master displays "CLONE". The data of the master is sent to the slave. While the slave is receiving the data, "-PC-" is displayed. When cloning of data is completed, the master displays "END", and the slave automatically operates in the User mode. The slave can then be operated by the same program as the master.
7. The other slave can be continuously cloned. When the [SCN] key on the master is pressed while the master displays "END", the master displays "CLONE". Carry out the operation in step 4 to 6.

Note :

You can clone the programmed data between the transceiver frequency version must be same.

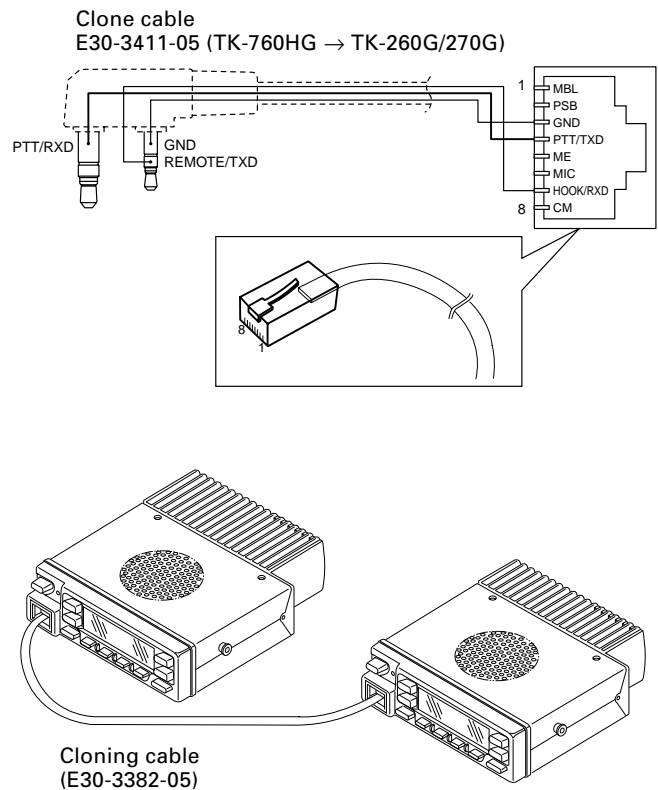


Fig. 1

INSTALLATION

Ignition Sense Cable (KCT-18 : Option)

The KCT-18 is an optional cable for enabling the ignition function. The ignition function lets you turn the power to the transceiver on and off with the car ignition key.

If you use the Horn Alert function or the Manual Relay function, you can turn the function off while driving with the ignition key.

■ Connecting the KCT-18 to the Transceiver

1. Install the KCT-19 in the transceiver.
2. Insert the KCT-18 lead terminal (❷) into pin 3 of the square plug (❶) supplied with the KCT-19, then insert the square plug into the KCT-19 connector (❸).

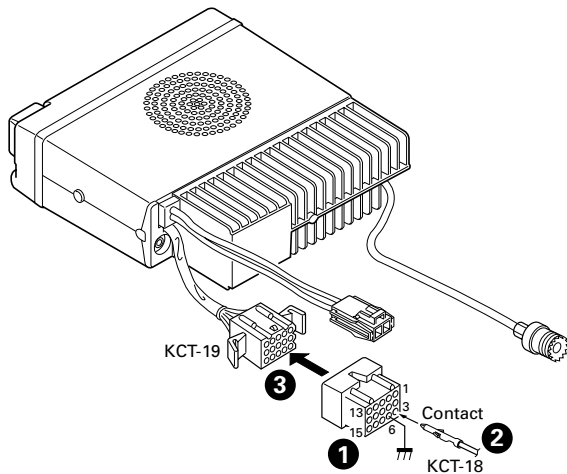


Fig. 1

■ Modifying the Transceiver

Modify the transceiver as follows to turn the power or the Horn Alert or Manual Relay function on and off with the ignition key.

1. Remove the lower half of the transceiver case.
2. Set jumper resistors (0Ω) R134 and R135 of the TX-RX unit (A/2) as shown in Table 1.

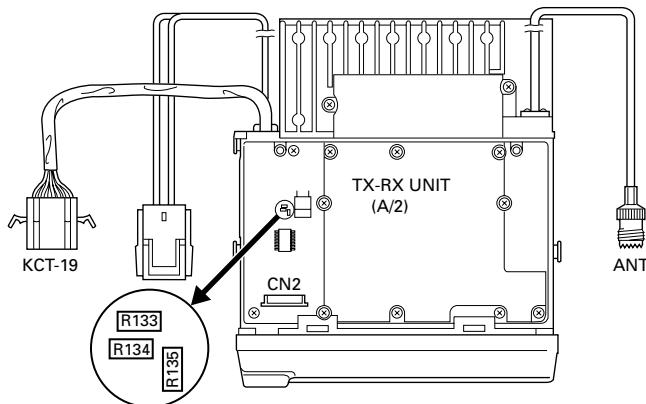


Fig. 2

Operation when KCT-18 is connected	R134	R135
	Enable	Enable
Power on/off and Horn Alert or AUX-A on/off	Disable	Enable
Horn Alert or AUX-A on/off	Enable	Disable
	Disable	Disable

← KCT-18 cannot be connected

← Power cannot be turned on

Table 1 R134 and R135 setup chart

PA/HA Unit (KAP-1 : Option)

■ Installing the KAP-1 in the Transceiver

The Horn Alert (max. 2A drive) and Public Address functions are enabled by inserting the KAP-1 W1 (3P; white/black/red) into CN3 on the TX-RX unit, inserting W2 (3P; green) into CN7 on the TX-RX unit, and connecting the KCT-19 (option) to CN2 and CN3 of the KAP-1.

• Installation procedure

1. Open the upper case of the transceiver.
2. Insert the two cables (❶) with connectors from the KAP-1 switch unit into the connectors on the transceiver.
3. Secure the switch unit board to the chassis with a screw (❸). The notch (❷) in the board must be placed at the front left side.
4. Attach the cushion on the top of the KAP-1 switch unit.

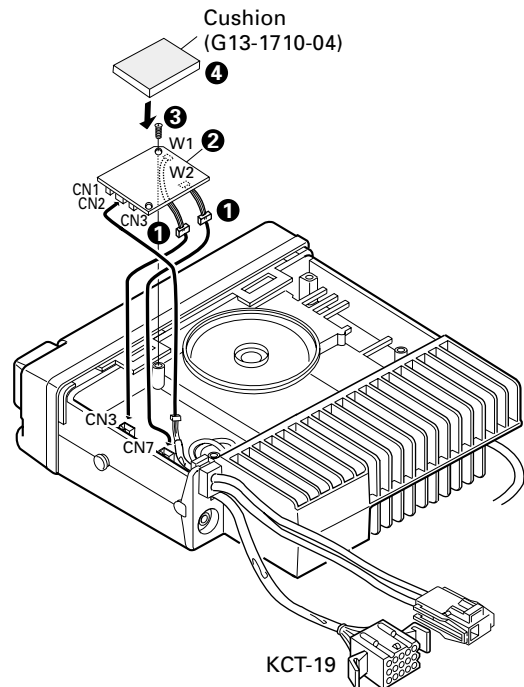


Fig. 3

TK-760HG/762HG

INSTALLATION

■ Modifying the Transceiver

• Horn alert

The signal from pin 4 of IC9 on the TX-RX unit turns Q5 and Q1 on and off and drives KAP-1 HA relay K2 to drive the horn with a maximum of 2A.

The default output is HR1. The relay open output can be obtained between HR1 and HR2 by removing R1 in the KAP-1.

	R1	Output form
HR1 (Default)	Enable	
HR2	Disable	

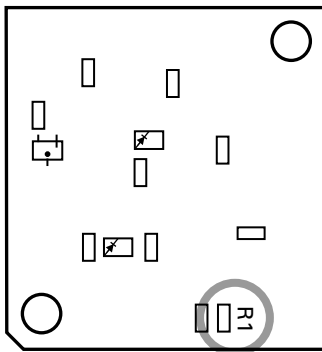


Fig. 4 KAP-1 foil side view

• Public address

The signal from pin 13 of IC9 on the TX-RX unit drives PA relay K1 in the KAP-1 and switches the audio power amplifier output between the external PA system (through KCT-19) and internal and external speakers.

To use the PA function, R153 on the TX-RX unit must be removed.

	R153
Use the PA function	Disable
Do not use the PA function	Enable

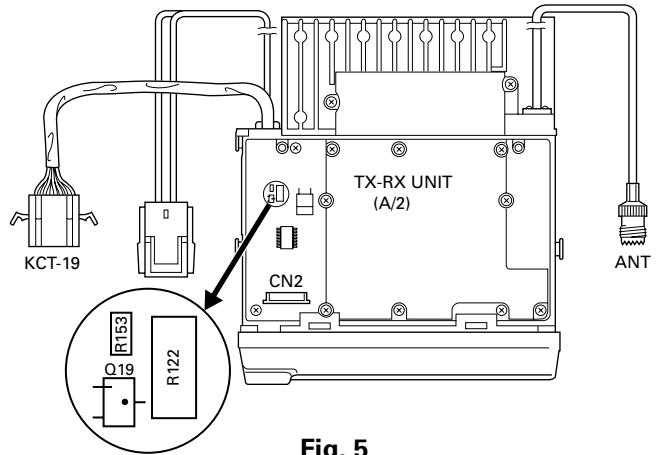


Fig. 5

■ Others

If the PA and HR2 are not necessary and the speaker output is output to an external unit through the KCT-19, connect the KCT-19 C connector to CN8 on the TX-RX unit.

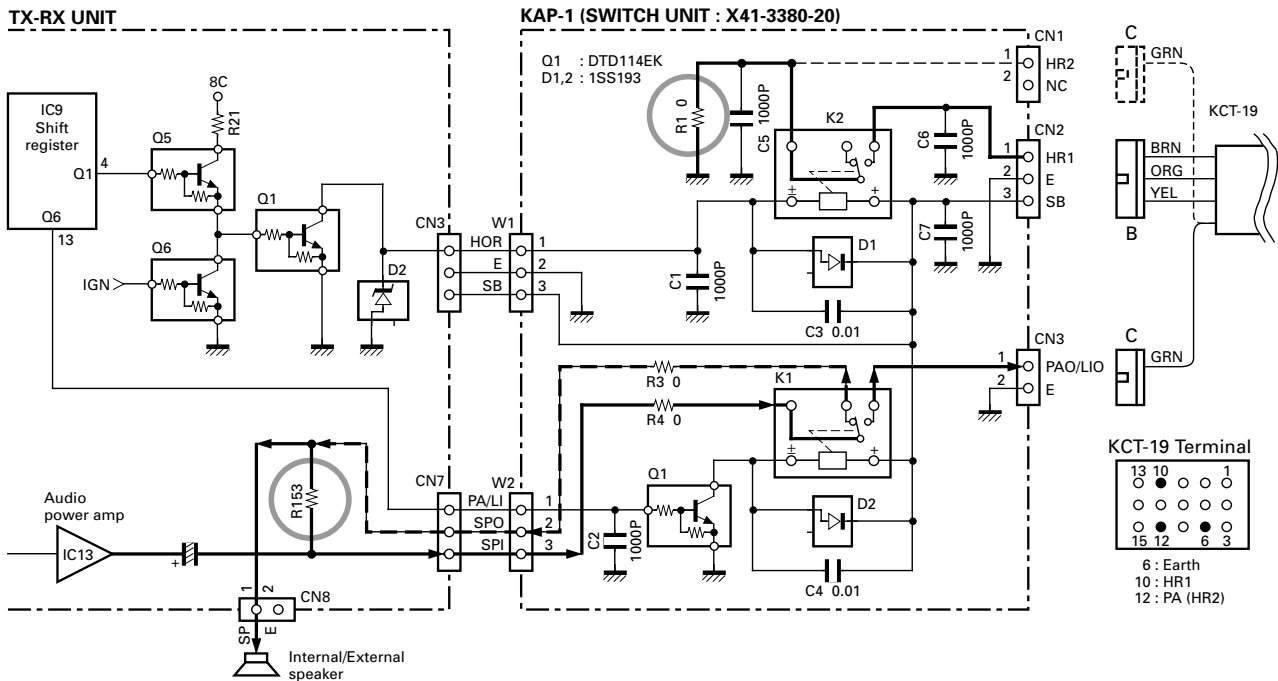


Fig. 6

INSTALLATION

Emergency Mode

■ Transceiver Modification Procedure

• Install the foot switch

Install the foot switch through the KCT-19 and KCT-18. When the switch is treaded on, the radio enters the emergency mode.

• Change the power switch circuit

TX-RX unit (B/2) : Control section
 \$R705 : Attach (R92-1252-05, 0Ω)

TX-RX unit (A/2) : RF section
 R142 : Remove (RK73GB1J473J, 47kΩ)

Once the transceiver is modified, it cannot be turned on and off with the power switch. The power switch turns the LCD backlight and display on and off. (The power is switched on and off by IGNITION SENSE.)

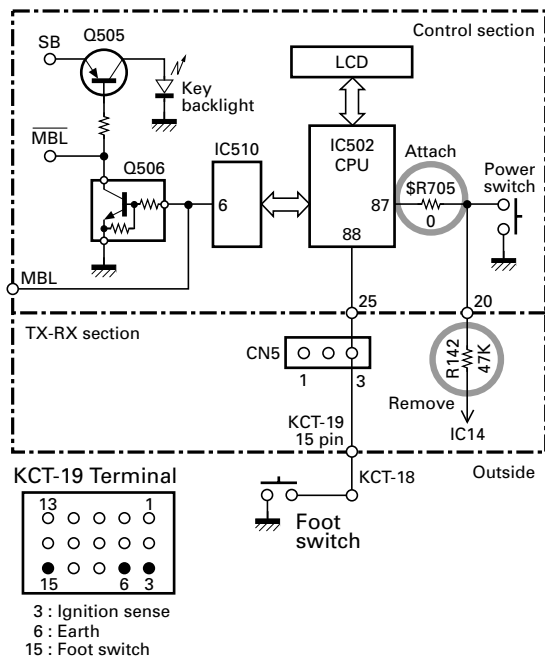


Fig. 7

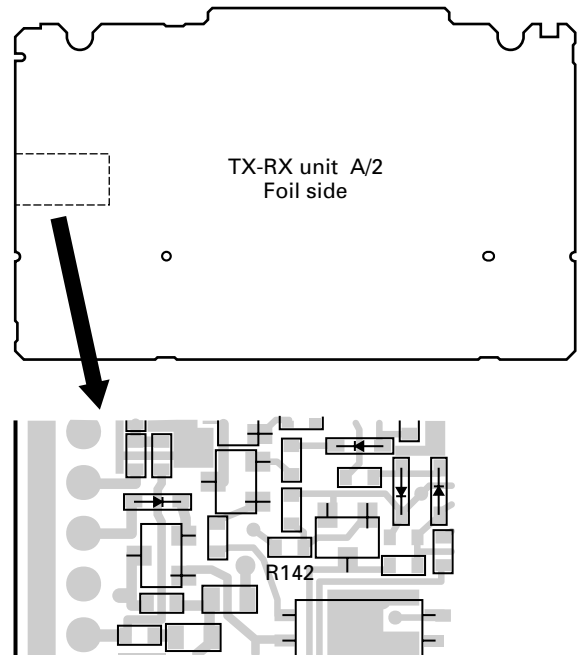
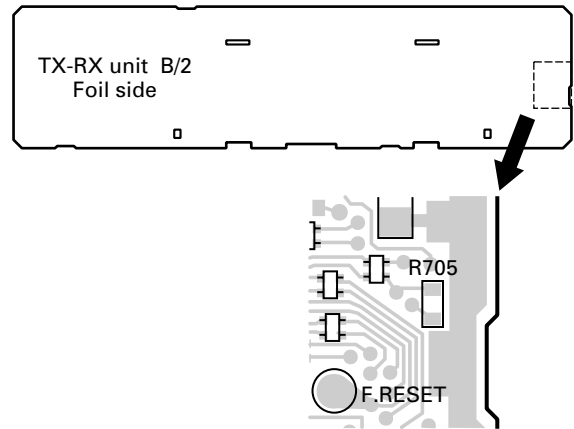


Fig. 8

TK-760HG/762HG

PARTS LIST

* New Parts. ⚠ indicates safety critical components.

Parts without **Parts No.** are not supplied.

Les articles non mentionnés dans le **Parts No.** ne sont pas fournis.

Teile ohne **Parts No.** werden nicht geliefert.

L : Scandinavia

K : USA

P : Canada

Y : PX (Far East, Hawaii)

T : England

E : Europe

Y : AAFES (Europe)

X : Australia

M : Other Areas

TK-760HG/762HG

DISPLAY UNIT (X54-3270-10) : TK-760HG, DISPLAY UNIT (X54-3280-10) : TK-762HG

Ref. No.	Address	New parts	Parts No.	Description	Destination
TK-760HG/762HG					
1	1B,1E		A01-2165-13	CABINET UPPER	
2	2A,2D		A01-2166-13	CABINET LOWER	
3	2A		A62-0642-03	PANEL ASSY	760
3	2D		A62-0731-03	PANEL ASSY	762
5	1G		B09-0235-05	CAP	
6	2B		B11-1226-03	ILLUMINATION GUIDE	760
6	2E		B11-1230-03	ILLUMINATION GUIDE	762
7	2A		B38-0824-05	LCD	760
7	2E		B38-0825-05	LCD	762
8	2G		B62-1257-20	INSTRUCTION MANUAL	M
8	2G	*	B62-1258-20	INSTRUCTION MANUAL	K
9	1C		B72-1816-04	MODEL NAME PLATE	760K
9	1C		B72-1817-04	MODEL NAME PLATE	760M
9	1F		B72-1818-04	MODEL NAME PLATE	762
11	2B		E29-1179-04	INTER CONNECTOR	760
11	2E		E29-1183-04	INTER CONNECTOR	762
12	1C		E30-2145-15	ANTENNA CABLE	
13	1G		E30-3339-05	DC CORD ACC	
14	1C,1F		E30-3340-05	DC CORD RADIO	
-	-		E30-3404-05	EXTENSION CABLE	
16	1C,1F		E37-0790-25	LEAD WIRE WITH CONNECTOR (SP)	
17	2B,2E		E37-0815-05	FLAT CABLE	
19	1G		F51-0017-05	FUSE (6*30)	
21	1C,1F		G02-0791-04	FLAT SPRING AF, APC	
22	1B,1E		G10-1221-04	FIBROUS SHEET SIDE	
23	1B,1E		G10-1222-14	FIBROUS SHEET UP, DOWN	
24	1A,1D		G10-1223-14	FIBROUS SHEET SHIELD	
25	1C,1F		G13-1468-04	CUSHION DC CORD	
26	1B,1E		G13-1759-04	CUSHION SP	
27	2C,2F		G53-0796-04	PACKING PHONE JACK	
28	2E		G53-0889-04	PACKING DISPLAY UNIT	762
30	3G		H10-6628-02	POLYSTYRENE FOAMED FIXTURE (F)	
31	2H		H10-6629-02	POLYSTYRENE FOAMED FIXTURE (R)	
32	1G		H12-1391-03	INNER PACKING CASE	
33	1H,2H		H25-0720-04	PROTECTION BAG (200X350)	
34	3H		H52-1653-02	ITEM CARTON CASE	
36	2G		J19-1584-05	HOLDER ACC	
37	2A,2D		J21-8382-03	HARDWARE FIXTURE	
38	1G		J29-0627-23	BRACKET	
40	2A		K29-5343-02	KEY TOP	760
40	2D		K29-5344-02	KEY TOP	762
A	2A,2D		N33-2606-45	OVAL HEAD MACHINE SCREW	
B	2C,2F		N67-3008-46	PAN HEAD SEMS SCREW W	
C	2B,2E		N87-2606-46	BRAZIER HEAD TAPTITE SCREW	
D	2B,2E		N87-2612-46	BRAZIER HEAD TAPTITE SCREW	
42	2G		N99-0395-05	SCREW SET	
44	1B,1E		T07-0368-05	SPEAKER	
45	1G		T91-0597-25	MICROPHONE	K

Ref. No.	Address	New parts	Parts No.	Description	Destination
DISPLAY UNIT (X54-3270-10) : TK-760HG					
D802-805			B30-2220-05	LED (2P/YELLOW)	
C801-803			CC73GCH1H101J	CHIP C 100PF J	
C804			CK73GF1A105Z	CHIP C 1.0UF Z	
C805			CK73GB1H102K	CHIP C 1000PF K	
C806,807			CK73GB1H471K	CHIP C 470PF K	
CN801			E40-6020-05	PIN ASSY	
L801			L92-0138-05	FERRITE CHIP	
R801-803			RK73GB1J103J	CHIP R 10K J 1/16W	
R804			RK73GB1J473J	CHIP R 47K J 1/16W	
R805			RK73GB1J474J	CHIP R 470K J 1/16W	
R806			R92-1252-05	CHIP R 0 OHM	
R808			RK73GB1J392J	CHIP R 3.9K J 1/16W	
R809			RK73FB2A270J	CHIP R 27 J 1/10W	
D801			MA2S111	DIODE	
D808			HSB123	DIODE	
IC801			LC75823W	IC (LCD DRIVER)	
Q801			2SB1132(Q,R)	TRANSISTOR	
DISPLAY UNIT (X54-3280-10) : TK-762HG					
D801			B30-2204-05	LED (RED/YELLOW)	
D803			B30-2220-05	LED (2P/YELLOW)	
D804			B30-2204-05	LED (RED/YELLOW)	
C801			CK73GB1H471K	CHIP C 470PF K	
C802-804			CC73GCH1H101J	CHIP C 100PF J	
C805			CK73GF1A105Z	CHIP C 1.0UF Z	
C806			CK73GB1H471K	CHIP C 470PF K	
C807			CK73GB1H102K	CHIP C 1000PF K	
C808			CK73GB1H471K	CHIP C 470PF K	
C812			CK73GB1H471K	CHIP C 470PF K	
CN801			E40-6020-05	PIN ASSY	
L801			L92-0138-05	FERRITE CHIP	
R801,802			RK73GB1J103J	CHIP R 10K J 1/16W	
R803			RK73FB2A123J	CHIP R 12K J 1/10W	
R804			RK73GB1J103J	CHIP R 10K J 1/16W	
R805			RK73FB2A332J	CHIP R 3.3K J 1/10W	
R806			RK73GB1J474J	CHIP R 470K J 1/16W	
R807			R92-1252-05	CHIP R 0 OHM	
R808			RK73GB1J393J	CHIP R 39K J 1/16W	
R809			RK73FB2A123J	CHIP R 12K J 1/10W	
R810			RK73FB2A332J	CHIP R 3.3K J 1/10W	
R812			RK73FB2A561J	CHIP R 560 J 1/10W	
R813-816			RK73GB1J473J	CHIP R 47K J 1/16W	
D802			MA2S111	DIODE	
IC801			LC75833W	IC (LCD DRIVER)	
Q801-803			DTA114EKA	DIGITAL TRANSISTOR	
Q804			KRA225S	DIGITAL TRANSISTOR	
Q805			DTA114EKA	DIGITAL TRANSISTOR	
Q806-809			2SK1824	FET	

PARTS LIST

TX-RX UNIT (X57-5950-XX)

Ref. No.	Address	New parts	Parts No.	Description	Destination	Ref. No.	Address	New parts	Parts No.	Description	Destination
TX-RX UNIT (X57-5950-XX)											
-14 : TK-760HG						-15 : TK-762HG					
D509-514			B30-2050-05	LED		C98			CK73GB1H103K	CHIP C	0.010UF K
D521			B30-2151-05	LED (RED/GREEN)		C99			C92-0004-05	CHIP-TAN	1.0UF 16WV
C1-11			CK73GB1H102K	CHIP C	1000PF K	C100			CK73GB1H102K	CHIP C	1000PF K
C13-19			CK73GB1H102K	CHIP C	1000PF K	C101			CC73GCH1H040C	CHIP C	4.0PF C
C20			C92-0507-05	CHIP-TAN	4.7UF 6.3WV	C102,103			CK73GB1H102K	CHIP C	1000PF K
C21			CK73GB1H102K	CHIP C	1000PF K	C104			C92-0002-05	CHIP-TAN	0.22UF 35WV
C22			CK73GB1C104K	CHIP C	0.10UF K	C105			CK73GB1H102K	CHIP C	1000PF K
C23,24			C92-0507-05	CHIP-TAN	4.7UF 6.3WV	C106			CC73GCH1H180J	CHIP C	18PF J
C26			CK73GB1H102K	CHIP C	1000PF K	C107			CK73GB1H102K	CHIP C	1000PF K
C29			C92-0507-05	CHIP-TAN	4.7UF 6.3WV	C110			CC73GCH1H180J	CHIP C	18PF J
C30			CC73GCH1H050C	CHIP C	5.0PF C	C111			CC73GCH1H040C	CHIP C	4.0PF C
C31			CK73GB1H102K	CHIP C	1000PF K	C112			CK73GB1H102K	CHIP C	1000PF K
C32			C92-0662-05	CHIP-TAN	15UF 6.3WV	C113			C92-0507-05	CHIP-TAN	4.7UF 6.3WV
C33			CC73GCH1H220J	CHIP C	22PF J	C114			C92-0697-05	CHIP-TAN	3.3UF 16WV
C35			CK73GB1C104K	CHIP C	0.10UF K	C115			CK73GB1H102K	CHIP C	1000PF K
C36			CK73GB1H102K	CHIP C	1000PF K	C116			CK73GB1H103K	CHIP C	0.010UF K
C37			CK73FB1C334K	CHIP C	0.33UF K	C117			CK73GB1H102K	CHIP C	1000PF K
C40,41			CK73GB1H103K	CHIP C	0.010UF K	C118			CC73GCH1H100D	CHIP C	10PF D
C43			C92-0507-05	CHIP-TAN	4.7UF 6.3WV	C119			CK73GB1H103K	CHIP C	0.010UF K
C44			CK73GB1H331K	CHIP C	330PF K	C120			CC73GCH1H220J	CHIP C	22PF J
C45			CK73GB1H102K	CHIP C	1000PF K	C121			CK73GB1H102K	CHIP C	1000PF K
C46			CK73GB1H103K	CHIP C	0.010UF K	C122,123			CK73GB1C104K	CHIP C	0.10UF K
C47			C92-0561-05	CHIP-ELE	22UF 16WV	C124			CC73GCH1H101J	CHIP C	100PF J
C49			CK73GB1H102K	CHIP C	1000PF K	C125			C92-0004-05	CHIP-TAN	1.0UF 16WV
C50			CC73GCH1H220J	CHIP C	22PF J	C126			CC73GCH1H180J	CHIP C	18PF J
C51			CK73GB1C104K	CHIP C	0.10UF K	C127			CK73GB1H103K	CHIP C	0.010UF K
C52			CC73GCH1H680J	CHIP C	68PF J	C128			C92-0543-05	CHIP-TAN	3.3UF 10WV
C53			CK73GB1C104K	CHIP C	0.10UF K	C129			CK73FF1C105Z	CHIP C	1.0UF Z
C54			CK73GB1H103K	CHIP C	0.010UF K	C130			CK73GB1H103K	CHIP C	0.010UF K
C56			CC73GCH1H220J	CHIP C	22PF J	C131-133			CK73GB1H102K	CHIP C	1000PF K
C58			CK73GB1E223K	CHIP C	0.022UF K	C134			CK73FB1E104K	CHIP C	0.10UF K
C60,61			CK73GB1H102K	CHIP C	1000PF K	C135			CC73GCH1H090D	CHIP C	9.0PF D
C62			CC73GCH1H101J	CHIP C	100PF J	C136			CK73GB1C104K	CHIP C	0.10UF K
C63			CK73GB1C104K	CHIP C	0.10UF K	C137			CC73GCH1H101J	CHIP C	100PF J
C64			CK73GB1H103K	CHIP C	0.010UF K	C138			CK73FB1E104K	CHIP C	0.10UF K
C66,67			CK73GB1H102K	CHIP C	1000PF K	C139			CK73GB1H102K	CHIP C	1000PF K
C69			CK73GB1E223K	CHIP C	0.022UF K	C141			C92-0719-05	ELECTRO	47UF 25WV
C70			C92-0507-05	CHIP-TAN	4.7UF 6.3WV	C142-144			CK73GB1H102K	CHIP C	1000PF K
C72			C92-0507-05	CHIP-TAN	4.7UF 6.3WV	C146-149			CK73GB1H102K	CHIP C	1000PF K
C74,75			CK73GB1H102K	CHIP C	1000PF K	C150			CK73FF1C105Z	CHIP C	1.0UF Z
C77			C90-2046-05	ELECTRO	22UF 10WV	C151			CK73GB1H102K	CHIP C	1000PF K
C78			CK73GB1H102K	CHIP C	1000PF K	C152			CC73GCH1H030C	CHIP C	3.0PF C
C79,80			CK73GB1H221K	CHIP C	220PF K	C153			CC73GCH1H330J	CHIP C	33PF J
C81			CK73GB1H102K	CHIP C	1000PF K	C154			CK73GB1H102K	CHIP C	1000PF K
C82			C92-0507-05	CHIP-TAN	4.7UF 6.3WV	C155			CC73GCH1H220J	CHIP C	22PF J
C83			CC73GCH1H270J	CHIP C	27PF J	C156,157			CK73GB1H102K	CHIP C	1000PF K
C84			C92-0507-05	CHIP-TAN	4.7UF 6.3WV	C158			CC73GCH1H270J	CHIP C	27PF J
C86			C92-0662-05	CHIP-TAN	15UF 6.3WV	C159			CC73GCH1H180J	CHIP C	18PF J
C87			CC73GCH1H330J	CHIP C	33PF J	C160,161			C92-0719-05	ELECTRO	47UF 25WV
C88			CK73GB1H103K	CHIP C	0.010UF K	C162			CK73GB1H102K	CHIP C	1000PF K
C91			CC73GCH1H050C	CHIP C	5.0PF C	C163			CC73GCH1H010B	CHIP C	1.0PF B
C92			CK73GB1H102K	CHIP C	1000PF K	C164			CK73GB1H102K	CHIP C	1000PF K
C93			C92-0555-05	CHIP-TAN	0.047UF 35WV	C165			C92-0719-05	ELECTRO	47UF 25WV
C94			CK73GB1H102K	CHIP C	1000PF K	C166			CE04EW1E471M	ELECTRO	470UF 25WV
C95			CC73GCH1H020B	CHIP C	2.0PF B	C167			CC73GCH1H150J	CHIP C	15PF J
C96			CK73GB1H102K	CHIP C	1000PF K	C168-170			CK73GB1H102K	CHIP C	1000PF K
C97			C92-0546-05	CHIP-TAN	68UF 6.3WV	C171			CC73GCH1H020B	CHIP C	2.0PF B
						C172			CE04EW1E471M	ELECTRO	470UF 25WV
						C173			CK73GB1C104K	CHIP C	0.10UF K
						C174			CK73GB1H102K	CHIP C	1000PF K

TK-760HG : K,M
TK-762HG : K

TK-760HG/762HG

PARTS LIST

TX-RX UNIT (X57-5950-XX)

Ref. No.	Address	New parts	Parts No.	Description	Destination	Ref. No.	Address	New parts	Parts No.	Description	Destination
C175			CC73GCH1H080D	CHIP C 8.0PF D		C522			C92-0507-05	CHIP-TAN 4.7UF 6.3WV	
C177			CK73GB1H102K	CHIP C 1000PF K		C523			CC73GCH1H221J	CHIP C 220PF J	
C179			CK73GB1H102K	CHIP C 1000PF K		C524			CK73GB1H103K	CHIP C 0.010UF K	
C180			CK73GB1H103K	CHIP C 0.010UF K		C525			CK73GB1E123K	CHIP C 0.012UF K	
C181			CC73FCH1H270J	CHIP C 27PF J		C526			CK73GB1C683K	CHIP C 0.068UF K	
C183			CK73GB1H102K	CHIP C 1000PF K		C527			CK73GB1H222K	CHIP C 2200PF K	
C185			CK73GB1C104K	CHIP C 0.10UF K		C528			CK73GB1H103K	CHIP C 0.010UF K	
C186,187			CK73GB1H102K	CHIP C 1000PF K		C529			CK73GB1H272K	CHIP C 2700PF K	
C189,190			CK73GB1H102K	CHIP C 1000PF K		C530			CK73GB1H152K	CHIP C 1500PF K	
C192			CK73GB1H102K	CHIP C 1000PF K		C531			CK73GB1H272K	CHIP C 2700PF K	
C194			CK73GB1C104K	CHIP C 0.10UF K		C532,533			CK73GB1C104K	CHIP C 0.10UF K	
C195			C92-0719-05	ELECTRO 47UF 25WV		C534,535			CK73GB1H103K	CHIP C 0.010UF K	
C196			CK73GB1H102K	CHIP C 1000PF K		C536,537			CK73GB1C104K	CHIP C 0.10UF K	
C198			CK73GB1H102K	CHIP C 1000PF K		C538			C92-0566-05	CHIP-TAN 10UF 6.3WV	
C200			CK73GB1H102K	CHIP C 1000PF K		C539			CK73GB1H103K	CHIP C 0.010UF K	
C201			CK73GB1C104K	CHIP C 0.10UF K		C540,541			CK73GB1C104K	CHIP C 0.10UF K	
C203			CK73GB1H102K	CHIP C 1000PF K		C542			CC73GCH1H331J	CHIP C 330PF J	
C204			C92-0004-05	CHIP-TAN 1.0UF 16WV		C543			CK73GB1H102K	CHIP C 1000PF K	
C205			C93-0560-05	CHIP C 10PF D		C544-546			CK73GB1H562K	CHIP C 5600PF K	
C207			CK73GB1H103K	CHIP C 0.010UF K		C547			CC73GCH1H030C	CHIP C 3.0PF C	
C208			CC73FCH1H030C	CHIP C 3.0PF C		C548-550			CK73GB1H272K	CHIP C 2700PF K	
C209			C93-0561-05	CHIP C 12PF J		C551			CC73GCH1H151J	CHIP C 150PF J	
C210			CK73GB1H103K	CHIP C 0.010UF K		C552			CC73GCH1H030C	CHIP C 3.0PF C	
C211			C93-0564-05	CHIP C 22PF J		C553			CK73GB1H102K	CHIP C 1000PF K	
C212			CK73GB1H102K	CHIP C 1000PF K		C554			CK73GB1H122K	CHIP C 1200PF K	
C213			C93-0563-05	CHIP C 18PF J		C555			C92-0566-05	CHIP-TAN 10UF 6.3WV	
C214			C93-0603-05	CHIP C 1000PF K		C556			CK73GB1C333K	CHIP C 0.033UF K	
C215			C93-0560-05	CHIP C 10PF B		C557			CK73GB1C104K	CHIP C 0.10UF K	
C216			CC73GCH1H0R5B	CHIP C 0.5PF B		C558			CC73GCH1H101J	CHIP C 100PF J	
C217			CC73GCH1H010B	CHIP C 1.0PF B		C559			CK73GB1H102K	CHIP C 1000PF K	
C218			CK73GB1C104K	CHIP C 0.10UF K		C560-563			CK73GB1C104K	CHIP C 0.10UF K	
C219			C93-0563-05	CHIP C 18PF J		C564			C92-0507-05	CHIP-TAN 4.7UF 6.3WV	
C220			CK73GB1H102K	CHIP C 1000PF K		C565,566			CK73GB1H472K	CHIP C 4700PF K	
C221			C93-0562-05	CHIP C 15PF J		C567			CC73GCH1H101J	CHIP C 100PF J	
C222			CC73GCH1H0R5B	CHIP C 0.5PF B		C568			C92-0507-05	CHIP-TAN 4.7UF 6.3WV	
C223			CC73GCH1H020B	CHIP C 2.0PF B		C569			CK73GB1E223K	CHIP C 0.022UF K	
C224			CK73GB1H102K	CHIP C 1000PF K		C570			CK73FF1C105Z	CHIP C 1.0UF Z	
C230,231			CK73GB1C104K	CHIP C 0.10UF K		C571,572			CK73GB1H102K	CHIP C 1000PF K	
C241			CM73F2H040D	CHIP C 4.0PF D		C573			CK73FB1H563K	CHIP C 0.056UF K	
C248			C92-0585-05	CHIP-TAN 4.7UF 16WV		C574			CC73GCH1H470J	CHIP C 47PF J	
C259			CK73GB1C104K	CHIP C 0.10UF K		C575			CK73GB1H102K	CHIP C 1000PF K	
C270			CK73GB1C104K	CHIP C 0.10UF K		C576			CK73GB1C104K	CHIP C 0.10UF K	
C271			CK73GB1H472K	CHIP C 4700PF K		C577,578			CK73GB1H103K	CHIP C 0.010UF K	
C274			CK73GB1C104K	CHIP C 0.10UF K		C579			CC73GCH1H101J	CHIP C 100PF J	
C501			CK73GB1H102K	CHIP C 1000PF K		C580			CK73GB1C104K	CHIP C 0.10UF K	
C502			CK73GB1C104K	CHIP C 0.10UF K		C581			CK73GB1H102K	CHIP C 1000PF K	
C503			CK73GB1H471K	CHIP C 470PF K		C582			CK73GB1C473K	CHIP C 0.047UF K	
C504			CK73GB1H103K	CHIP C 0.010UF K		C583			C92-0566-05	CHIP-TAN 10UF 6.3WV	
C505			CK73GB1C104K	CHIP C 0.10UF K		C584			CK73GB1H103K	CHIP C 0.010UF K	
C506,507			CK73GB1H103K	CHIP C 0.010UF K		C585			CC73GCH1H101J	CHIP C 100PF J	
C508			CK73GB1H472K	CHIP C 4700PF K		C587			CK73GB1H103K	CHIP C 0.010UF K	
C509			C92-0507-05	CHIP-TAN 4.7UF 6.3WV		C589			C92-0606-05	CHIP-TAN 4.7UF 10WV	
C514			CC73GCH1H680J	CHIP C 68PF J		C590			CK73GB1H102K	CHIP C 1000PF K	
C515			CK73GB1H103K	CHIP C 0.010UF K		C594			CK73GB1H102K	CHIP C 1000PF K	
C516			CC73GCH1H270J	CHIP C 27PF J		C596			CK73GB1H102K	CHIP C 1000PF K	
C517			CK73GB1C683K	CHIP C 0.068UF K		C597			CC73GCH1H101J	CHIP C 100PF J	
C518			CC73GCH1H270J	CHIP C 27PF J		C598			CK73GB1H102K	CHIP C 1000PF K	
C519			CK73GB1H102K	CHIP C 1000PF K		C599			CC73GCH1H101J	CHIP C 100PF J	
C520			CK73GB1C104K	CHIP C 0.10UF K		C600			CK73GB1H102K	CHIP C 1000PF K	
C521			CK73GB1H102K	CHIP C 1000PF K		C601,602			CC73GCH1H101J	CHIP C 100PF J	

PARTS LIST

TX-RX UNIT (X57-5950-XX)

Ref. No.	Address	New parts	Parts No.	Description	Desti-nation	Ref. No.	Address	New parts	Parts No.	Description	Desti-nation
C603			CK73GB1H102K	CHIP C 1000PF K		L503,504			L92-0138-05	FERRITE CHIP	
C604-606			CC73GCH1H101J	CHIP C 100PF J		L510			L92-0138-05	FERRITE CHIP	
C608-610			CC73GCH1H101J	CHIP C 100PF J		X1			L77-1826-05	TCXO (16.8M)	
C611,612			CK73GB1H471K	CHIP C 470PF K		X501			L77-1708-05	CRYSTAL RESONATOR (3.579545MHZ)	
C613			CC73GCH1H101J	CHIP C 100PF J		X502			L78-0462-05	RESONATOR (9.8304M/8*2.5)	
C615			CK73GB1H471K	CHIP C 470PF K		XF1			L71-0551-15	MCF (49.95MHZ/5.0K)	
C616			CC73GCH1H101J	CHIP C 100PF J		CP501-505			R90-0741-05	MULTIPLE RESISTOR	
C618			CK73GB1H102K	CHIP C 1000PF K		CP508-514			R90-0741-05	MULTIPLE RESISTOR	
C620			CK73GB1H471K	CHIP C 470PF K		CP516-524			R90-0741-05	MULTIPLE RESISTOR	
C621			CK73GB1H102K	CHIP C 1000PF K		CP526,527			R90-0741-05	MULTIPLE RESISTOR	
C623			CK73GB1H102K	CHIP C 1000PF K		CP529-536			R90-0741-05	MULTIPLE RESISTOR	
C626			CK73GB1C104K	CHIP C 0.10UF K		CP538			R90-0741-05	MULTIPLE RESISTOR	
C628			CK73GB1C104K	CHIP C 0.10UF K		CP539			R90-0724-05	MULTI-COMP 1K X4	
C629			CC73GCH1H470J	CHIP C 47PF J		R1			R92-1252-05	CHIP R 0 OHM	
C630			C92-0507-05	CHIP-TAN 4.7UF 6.3WV		R2			RK73GB1J102J	CHIP R 1.0K J 1/16W	
C631			CK73GB1H103K	CHIP C 0.010UF K		R3			R92-1252-05	CHIP R 0 OHM	
C632			CK73FF1C105Z	CHIP C 1.0UF Z		R4			RK73GB1J333J	CHIP R 33K J 1/16W	
C633			CK73GB1C104K	CHIP C 0.10UF K		R6			R92-1252-05	CHIP R 0 OHM	
C720			C92-0566-05	CHIP-TAN 10UF 6.3WV		R7,8			RK73GB1J102J	CHIP R 1.0K J 1/16W	
CN1			E40-6047-05	PIN ASSY		R9,10			R92-1252-05	CHIP R 0 OHM	
CN2			E40-6021-05	FLAT CABLE CONNECTOR		R11			RK73GB1J102J	CHIP R 1.0K J 1/16W	
CN3			E40-3247-05	PIN ASSY		R12			RK73GB1J104J	CHIP R 100K J 1/16W	
CN4			E40-5737-05	PIN ASSY		R13			RK73GB1J473J	CHIP R 47K J 1/16W	
CN5			E40-5738-05	PIN ASSY		R14			RK73GB1J474J	CHIP R 470K J 1/16W	
CN7			E40-3247-05	PIN ASSY		R15			RK73GB1J104J	CHIP R 100K J 1/16W	
CN8			E40-3246-05	PIN ASSY		R16			RK73GB1J220J	CHIP R 22 J 1/16W	
CN501			E40-6021-05	FLAT CABLE CONNECTOR		R17			RK73GB1J154J	CHIP R 150K J 1/16W	
J1			E11-0442-05	3.5D PHONE JACK (3P)		R18			RK73GB1J104J	CHIP R 100K J 1/16W	
J501			E08-0877-05	MODULAR JACK		R19			RK73GB1J392J	CHIP R 3.9K J 1/16W	
F1			F53-0108-05	FUZE		R20			RK73GB1J224J	CHIP R 220K J 1/16W	
-			J31-0543-05	COLLAR (LH-5-1.5)		R21			RK73GB1J102J	CHIP R 1.0K J 1/16W	
CF1			L72-0959-05	CERAMIC FILTER		R22			RK73GB1J474J	CHIP R 470K J 1/16W	
CF2			L72-0973-05	CERAMIC FILTER		R23			RK73GB1J223J	CHIP R 22K J 1/16W	
L1			L40-1005-34	SMALL FIXED INDUCTOR (10UH/8)		R24			RK73GB1J183J	CHIP R 18K J 1/16W	
L2-4			L40-3381-86	SMALL FIXED INDUCTOR (0.33U/160)		R25,26			R92-1252-05	CHIP R 0 OHM	
L5			L34-4530-05	COIL		R29			R92-1252-05	CHIP R 0 OHM	
L6			L40-1581-86	SMALL FIXED INDUCTOR (0.15U/160)		R30			RK73GB1J103J	CHIP R 10K J 1/16W	
L7			L40-4785-85	SMALL FIXED INDUCTOR (0.47U/252)		R31			RK73GB1J152J	CHIP R 1.5K J 1/16W	
L8			L40-8285-85	SMALL FIXED INDUCTOR (0.82U/252)		R32			RK73GB1J103J	CHIP R 10K J 1/16W	
L9			L40-1085-77	SMALL FIXED INDUCTOR (100NH/160)		R33			R92-1252-05	CHIP R 0 OHM	
L10			L40-6875-77	SMALL FIXED INDUCTOR (68NH/1608)		R34			RK73GB1J104J	CHIP R 100K J 1/16W	
L11			L34-4472-05	COIL		R35			RK73GB1J224J	CHIP R 220K J 1/16W	
L12			L40-3375-34	SMALL FIXED INDUCTOR (33NH/8)		R36			RK73GB1J223J	CHIP R 22K J 1/16W	
L13			L34-4473-05	COIL		R37			RK73GB1J220J	CHIP R 22 J 1/16W	
L14			L40-6875-34	SMALL FIXED INDUCTOR (68NH/8)		R38-40			RK73GB1J103J	CHIP R 10K J 1/16W	
L15			L34-4473-05	COIL		R41			RK73GB1J224J	CHIP R 220K J 1/16W	
L17			L92-0179-05	FERRITE CHIP		R42			RK73GB1J473J	CHIP R 47K J 1/16W	
L18			L34-4472-05	COIL		R43			RK73GB1J683J	CHIP R 68K J 1/16W	
L20			L34-4481-05	AIR-CORE COIL		R44			RK73GB1J153J	CHIP R 15K J 1/16W	
L21			L34-4478-05	AIR-CORE COIL		R46			RK73GB1J223J	CHIP R 22K J 1/16W	
L22			L34-4480-05	AIR-CORE COIL		R47			RK73GB1J101J	CHIP R 100 J 1/16W	
L23		*	L34-4655-05	AIR-CORE COIL		R48			RK73GB1J184J	CHIP R 180K J 1/16W	
L24			L34-4481-05	AIR-CORE COIL		R49			RK73GB1J152J	CHIP R 1.5K J 1/16W	
L25			L34-4478-05	AIR-CORE COIL		R50			RK73GB1J473J	CHIP R 47K J 1/16W	
L26			L40-4775-77	SMALL FIXED INDUCTOR (47NH/1608)		R51-53			RK73GB1J102J	CHIP R 1.0K J 1/16W	
L27			L40-1581-86	SMALL FIXED INDUCTOR (0.15U/160)		R54			R92-1252-05	CHIP R 0 OHM	
L33,34			L92-0179-05	FERRITE CHIP		R55			RK73GB1J104J	CHIP R 100K J 1/16W	
L501			L92-0138-05	FERRITE CHIP		R56			RK73GB1J101J	CHIP R 100 J 1/16W	
						R57			RK73GB1J471J	CHIP R 470 J 1/16W	

TK-760HG : K,M
TK-762HG : K

TK-760HG/762HG

PARTS LIST

TX-RX UNIT (X57-5950-XX)

Ref. No.	Address	New parts	Parts No.	Description	Destination	Ref. No.	Address	New parts	Parts No.	Description	Destination
R58			RK73GB1J332J	CHIP R 3.3K J 1/16W		R125			RK73GB1J333J	CHIP R 33K J 1/16W	
R59			RK73GB1J472J	CHIP R 4.7K J 1/16W		R126			RK73GB1J471J	CHIP R 470 J 1/16W	
R60			RK73GB1J334J	CHIP R 330K J 1/16W		R127			RK73GB1J222J	CHIP R 2.2K J 1/16W	
R61			RK73GB1J102J	CHIP R 1.0K J 1/16W		R128			RK73GB1J220J	CHIP R 22 J 1/16W	
R62			RK73GB1J224J	CHIP R 220K J 1/16W		R129			RK73GB1J152J	CHIP R 1.5K J 1/16W	
R63			RK73GB1J474J	CHIP R 470K J 1/16W		R130			RK73GB1J103J	CHIP R 10K J 1/16W	
R64			RK73GB1J223J	CHIP R 22K J 1/16W		R131			RK73GB1J681J	CHIP R 680 J 1/16W	
R65			RK73GB1J183J	CHIP R 18K J 1/16W		R132			RK73FB2A470J	CHIP R 47 J 1/10W	
R66			RK73GB1J101J	CHIP R 100 J 1/16W		R133-136			R92-1252-05	CHIP R 0 OHM	
R67			RK73GB1J472J	CHIP R 4.7K J 1/16W		R137			RK73FB2A100J	CHIP R 10 J 1/10W	
R68			RK73GB1J182J	CHIP R 1.8K J 1/16W		R138			RK73GB1J102J	CHIP R 1.0K J 1/16W	
R69			R92-1252-05	CHIP R 0 OHM		R139			RK73GB1J103J	CHIP R 10K J 1/16W	
R70			RK73GB1J562J	CHIP R 5.6K J 1/16W		R140			RK73FB2A2R2J	CHIP R 2.2 J 1/10W	
R71			RK73GB1J103J	CHIP R 10K J 1/16W		R141			RK73GB1J103J	CHIP R 10K J 1/16W	
R72			R92-1252-05	CHIP R 0 OHM		R142			RK73GB1J473J	CHIP R 47K J 1/16W	
R73			RK73GB1J223J	CHIP R 22K J 1/16W		R144			R92-0685-05	CHIP R 22 J 1/2W	
R75			RK73GB1J471J	CHIP R 470 J 1/16W		R145,146			RK73GB1J473J	CHIP R 47K J 1/16W	
R76			RK73GB1J223J	CHIP R 22K J 1/16W		R147			RK73GB1J102J	CHIP R 1.0K J 1/16W	
R77			RK73GB1J154J	CHIP R 150K J 1/16W		R148			RK73GB1J104J	CHIP R 100K J 1/16W	
R78			RK73GB1J104J	CHIP R 100K J 1/16W		R149			RK73GB1J470J	CHIP R 47 J 1/16W	
R79			RK73GB1J681J	CHIP R 680 J 1/16W		R150			RK73GB1J104J	CHIP R 100K J 1/16W	
R80			RK73GB1J471J	CHIP R 470 J 1/16W		R151			RK73FB2A821J	CHIP R 820 J 1/10W	
R81			RK73GB1J101J	CHIP R 100 J 1/16W		R152			R92-1252-05	CHIP R 0 OHM	
R82			RK73GB1J152J	CHIP R 1.5K J 1/16W		R153			R92-0670-05	CHIP R 0 OHM	
R83			RK73GB1J684J	CHIP R 680K J 1/16W		R154			RK73GB1J152J	CHIP R 1.5K J 1/16W	
R85			RK73GB1J272J	CHIP R 2.7K J 1/16W		R155			RK73FB2A5R6J	CHIP R 5.6 J 1/10W	
R86			RK73GB1J122J	CHIP R 1.2K J 1/16W		R157			RK73GB1J271J	CHIP R 270 J 1/16W	
R87			RK73GB1J102J	CHIP R 1.0K J 1/16W		R159			RK73GB1J473J	CHIP R 47K J 1/16W	
R88			RK73GB1J271J	CHIP R 270 J 1/16W		R160			RK73FB2A821J	CHIP R 820 J 1/10W	
R89			RK73GB1J102J	CHIP R 1.0K J 1/16W		R161			RK73GB1J334J	CHIP R 330K J 1/16W	
R90,91			RK73GB1J104J	CHIP R 100K J 1/16W		R162			RK73GB1J333J	CHIP R 33K J 1/16W	
R92			R92-1252-05	CHIP R 0 OHM		R163			R92-0670-05	CHIP R 0 OHM	
R93			RK73GB1J152J	CHIP R 1.5K J 1/16W		R164			R92-1213-05	CHIP R 100 J 1/2W	
R94			R92-1252-05	CHIP R 0 OHM		R166			RK73GB1J221J	CHIP R 220 J 1/16W	
R95			RK73GB1J103J	CHIP R 10K J 1/16W		R167			R92-1252-05	CHIP R 0 OHM	
R97			RK73GB1J473J	CHIP R 47K J 1/16W		R168,169			RK73GB1J103J	CHIP R 10K J 1/16W	
R98			RK73GB1J223J	CHIP R 22K J 1/16W		R170			RK73FB2A222J	CHIP R 2.2K J 1/10W	
R99			RK73GB1J271J	CHIP R 270 J 1/16W		R171			RK73GB1J153J	CHIP R 15K J 1/16W	
R100,101			RK73GB1J101J	CHIP R 100 J 1/16W		R172			RK73GB1J334J	CHIP R 330K J 1/16W	
R103			RK73GB1J472J	CHIP R 4.7K J 1/16W		R173			RK73GB1J332J	CHIP R 3.3K J 1/16W	
R105			RK73GB1J470J	CHIP R 47 J 1/16W		R174			RK73GB1J103J	CHIP R 10K J 1/16W	
R106			RK73GB1J222J	CHIP R 2.2K J 1/16W		R175			RK73GB1J682J	CHIP R 6.8K J 1/16W	
R107			RK73GB1J473J	CHIP R 47K J 1/16W		R176			RK73GB1J104J	CHIP R 100K J 1/16W	
R108			RK73GB1J181J	CHIP R 180 J 1/16W		R177			R92-1214-05	CHIP R 120 J 1/2W	
R109			RK73GB1J102J	CHIP R 1.0K J 1/16W		R178			RK73GB1J822J	CHIP R 8.2K J 1/16W	
R110			RK73GB1J220J	CHIP R 22 J 1/16W		R179			RK73GB1J393J	CHIP R 39K J 1/16W	
R111			RK73GB1J330J	CHIP R 33 J 1/16W		R180			RK73GB1J332J	CHIP R 3.3K J 1/16W	
R112			RK73GB1J333J	CHIP R 33K J 1/16W		R181			RK73GB1J562J	CHIP R 5.6K J 1/16W	
R113			RK73GB1J181J	CHIP R 180 J 1/16W		R182			RK73GB1J102J	CHIP R 1.0K J 1/16W	
R114			RK73GB1J472J	CHIP R 4.7K J 1/16W		R183			R92-0670-05	CHIP R 0 OHM	
R115			RK73GB1J103J	CHIP R 10K J 1/16W		R184			R92-1252-05	CHIP R 0 OHM	
R116			RK73GB1J473J	CHIP R 47K J 1/16W		R185			RK73GB1J473J	CHIP R 47K J 1/16W	
R117			RK73GB1J222J	CHIP R 2.2K J 1/16W		R186			R92-1252-05	CHIP R 0 OHM	
R118			RK73GB1J102J	CHIP R 1.0K J 1/16W		R188			RK73GB1J102J	CHIP R 1.0K J 1/16W	
R119			RK73GB1J103J	CHIP R 10K J 1/16W		R189			RK73GB1J101J	CHIP R 100 J 1/16W	
R120			R92-1252-05	CHIP R 0 OHM		R190			RK73GB1J473J	CHIP R 47K J 1/16W	
R121			RK73GB1J100J	CHIP R 10 J 1/16W		R192			RK73GB1J103J	CHIP R 10K J 1/16W	
R122			R92-1215-05	CHIP R 470 J 1/2W		R193			RK73GB1J102J	CHIP R 1.0K J 1/16W	
R123			RK73GB1J472J	CHIP R 4.7K J 1/16W		R196			RK73GB1J332J	CHIP R 3.3K J 1/16W	
R124			RK73GB1J103J	CHIP R 10K J 1/16W		R197			R92-1252-05	CHIP R 0 OHM	

PARTS LIST

TX-RX UNIT (X57-5950-XX)

Ref. No.	Address	New parts	Parts No.	Description	Desti-nation	Ref. No.	Address	New parts	Parts No.	Description	Desti-nation
R201,202			R92-1252-05	CHIP R 0 OHM		R569			RK73GB1J102J	CHIP R 1.0K J 1/16W	
R208			R92-0670-05	CHIP R 0 OHM		R570			RK73GB1J155J	CHIP R 1.5M J 1/16W	
R210			R92-1252-05	CHIP R 0 OHM		R571			RN73GH1J682D	CHIP R 6.8K D 1/16W	
R219-221			R92-1252-05	CHIP R 0 OHM		R572			RK73GB1J473J	CHIP R 47K J 1/16W	
R501			RK73GB1J473J	CHIP R 47K J 1/16W		R573			RK73GB1J474J	CHIP R 470K J 1/16W	
R502			RK73GB1J472J	CHIP R 4.7K J 1/16W		R574			RN73GH1J683D	CHIP R 68K D 1/16W	
R503			RK73GB1J102J	CHIP R 1.0K J 1/16W		R575			RK73GB1J101J	CHIP R 100 J 1/16W	
R504-507			RK73GB1J473J	CHIP R 47K J 1/16W		R576			RK73GB1J224J	CHIP R 220K J 1/16W	
R508			RK73GB1J102J	CHIP R 1.0K J 1/16W		R577			RK73GB1J103J	CHIP R 10K J 1/16W	
R509,510			R92-1252-05	CHIP R 0 OHM		R578			RN73GH1J682D	CHIP R 6.8K D 1/16W	
R511			RK73GB1J473J	CHIP R 47K J 1/16W		R579			RK73GB1J223J	CHIP R 22K J 1/16W	
R512			RK73GB1J104J	CHIP R 100K J 1/16W		R580			R92-1252-05	CHIP R 0 OHM	
R513			RK73GB1J223J	CHIP R 22K J 1/16W		R581			RK73GB1J394J	CHIP R 390K J 1/16W	
R514			RK73GB1J473J	CHIP R 47K J 1/16W		R582			RK73GB1J273J	CHIP R 27K J 1/16W	
R515,516			RK73GB1J223J	CHIP R 22K J 1/16W		R583			RK73GB1J470J	CHIP R 47 J 1/16W	
R517			RK73GB1J473J	CHIP R 47K J 1/16W		R584			RK73GB1J220J	CHIP R 22 J 1/16W	
R518			RK73GB1J472J	CHIP R 4.7K J 1/16W		R585			R92-1252-05	CHIP R 0 OHM	
R519			RK73GB1J103J	CHIP R 10K J 1/16W		R586			RK73GB1J473J	CHIP R 47K J 1/16W	
R520-523			RK73GB1J102J	CHIP R 1.0K J 1/16W		R587			R92-1252-05	CHIP R 0 OHM	
R526			RK73GB1J154J	CHIP R 150K J 1/16W		R588			RK73GB1J103J	CHIP R 10K J 1/16W	
R527			R92-1252-05	CHIP R 0 OHM		R590			RK73GB1J333J	CHIP R 33K J 1/16W	
R528			RK73GB1J472J	CHIP R 4.7K J 1/16W		R591			R92-1252-05	CHIP R 0 OHM	
R529			RK73GB1J154J	CHIP R 150K J 1/16W		R592			RK73GB1J103J	CHIP R 10K J 1/16W	
R530			RK73GB1J473J	CHIP R 47K J 1/16W		R593			RK73GB1J181J	CHIP R 180 J 1/16W	
R531			RK73GB1J394J	CHIP R 390K J 1/16W		R594			RK73GB1J392J	CHIP R 3.9K J 1/16W	
R532			RK73GB1J103J	CHIP R 10K J 1/16W		R595			RK73GB1J181J	CHIP R 180 J 1/16W	
R533			RK73GB1J104J	CHIP R 100K J 1/16W		R598			RK73GB1J473J	CHIP R 47K J 1/16W	
R534			RK73GB1J823J	CHIP R 82K J 1/16W		R599			RK73GB1J102J	CHIP R 1.0K J 1/16W	
R535			RK73GB1J103J	CHIP R 10K J 1/16W		R600			R92-1252-05	CHIP R 0 OHM	
R536			RK73GB1J153J	CHIP R 15K J 1/16W		R602			RK73GB1J473J	CHIP R 47K J 1/16W	
R537			RK73GB1J105J	CHIP R 1.0M J 1/16W		R603			RK73GB1J101J	CHIP R 100 J 1/16W	
R538			RK73GB1J103J	CHIP R 10K J 1/16W		R604			RK73GB1J472J	CHIP R 4.7K J 1/16W	
R539			R92-1252-05	CHIP R 0 OHM		R605			RK73GB1J332J	CHIP R 3.3K J 1/16W	
R540			RK73GB1J223J	CHIP R 22K J 1/16W		R606			RK73GB1J102J	CHIP R 1.0K J 1/16W	
R541			RK73GB1J184J	CHIP R 180K J 1/16W		R607			RK73GB1J101J	CHIP R 100 J 1/16W	
R542			RK73GB1J102J	CHIP R 1.0K J 1/16W		R608			RK73GB1J122J	CHIP R 1.2K J 1/16W	
R543			RK73GB1J184J	CHIP R 180K J 1/16W		R610,611			RK73GB1J473J	CHIP R 47K J 1/16W	
R544			RK73GB1J103J	CHIP R 10K J 1/16W		R612			R92-1201-05	CHIP R 220 1/2W	
R545			RK73GB1J472J	CHIP R 4.7K J 1/16W		R613			RK73GB1J103J	CHIP R 10K J 1/16W	
R546			RN73GH1J913D	CHIP R 91K D 1/16W		R614,615			R92-1252-05	CHIP R 0 OHM	
R547			RK73GB1J103J	CHIP R 10K J 1/16W		R616			RK73GB1J474J	CHIP R 470K J 1/16W	
R548			RN73GH1J333D	CHIP R 33K D 1/16W		R617			RK73GB1J472J	CHIP R 4.7K J 1/16W	
R549			RN73GH1J913D	CHIP R 91K D 1/16W		R618			RK73GB1J683J	CHIP R 68K J 1/16W	
R550			RN73GH1J683D	CHIP R 68K D 1/16W		R619			RK73GB1J104J	CHIP R 100K J 1/16W	
R551,552			RK73GB1J223J	CHIP R 22K J 1/16W		R620,621			RK73GB1J103J	CHIP R 10K J 1/16W	
R553			RK73GB1J105J	CHIP R 1.0M J 1/16W		R622			RK73GB1J473J	CHIP R 47K J 1/16W	
R554			RN73GH1J913D	CHIP R 91K D 1/16W		R630			R92-1252-05	CHIP R 0 OHM	
R555,556			RK73GB1J104J	CHIP R 100K J 1/16W		R701			RK73GB1J473J	CHIP R 47K J 1/16W	
R557			RN73GH1J274D	CHIP R 270K D 1/16W		R704			RK73GB1J223J	CHIP R 22K J 1/16W	
R558			R92-1252-05	CHIP R 0 OHM		R720			R92-1252-05	CHIP R 0 OHM	
R559			RK73GB1J333J	CHIP R 33K J 1/16W		R722			R92-1252-05	CHIP R 0 OHM	
R560			RK73GB1J474J	CHIP R 470K J 1/16W		D1			HSB123	DIODE	
R561			RK73GB1J333J	CHIP R 33K J 1/16W		D2			02DZ20(Y,Z)	ZENER DIODE	
R562			R92-1252-05	CHIP R 0 OHM		D3-5			HSB123	DIODE	
R563			RK73GB1J473J	CHIP R 47K J 1/16W		D8			DAN235K	DIODE	
R564			RK73GB1J223J	CHIP R 22K J 1/16W		D9			1SS355	DIODE	
R565			R92-1252-05	CHIP R 0 OHM		D10			DAN235K	DIODE	
R566			RK73GB1J563J	CHIP R 56K J 1/16W		D11			MA742	DIODE	
R567			RK73GB1J334J	CHIP R 330K J 1/16W		D14			1SS355	DIODE	
R568			RK73GB1J473J	CHIP R 47K J 1/16W							

TK-760HG/762HG

PARTS LIST

TX-RX UNIT (X57-5950-XX)
PLL/VCO (X58-4670-10)

Ref. No.	Address	New parts	Parts No.	Description	Destination	Ref. No.	Address	New parts	Parts No.	Description	Destination	
D15			DAN202K	DIODE		Q7			2SC4649(N,P)	TRANSISTOR		
D16			DAN235K	DIODE		Q8			2SC2412K	TRANSISTOR		
D17			1SS355	DIODE		Q9			2SC4215(Y)	TRANSISTOR		
D18			HVC350B	VARIABLE CAPACITANCE DIODE		Q10			2SC2412K	TRANSISTOR		
D19,20			1SS355	DIODE		Q11			2SA1832(GR)	TRANSISTOR		
D21			02D218(X,Y)	ZENER DIODE		Q12			2SC4738(GR)	TRANSISTOR		
D22			HSB123	DIODE		Q13,14			2SC4649(N,P)	TRANSISTOR		
D23			HVC350B	VARIABLE CAPACITANCE DIODE		Q15			3SK228	FET		
D24			02D215(X,Y)	ZENER DIODE		Q16			DTC114EKA	DIGITAL TRANSISTOR		
D25			22ZR-10D	SURGE ABSORBER		Q17			DTC363EU	DIGITAL TRANSISTOR		
D26			DSA3A1-FK	DIODE		Q18			2SA1745(6,7)	TRANSISTOR		
D27			1SS355	DIODE		Q19			DTC114EKA	DIGITAL TRANSISTOR		
D28			HVC350B	VARIABLE CAPACITANCE DIODE		Q20			DTA114EKA	DIGITAL TRANSISTOR		
D30,31			HVC350B	VARIABLE CAPACITANCE DIODE		Q21			DTC114EKA	DIGITAL TRANSISTOR		
D34			MA4PH633	DIODE		Q22			2SC3357	TRANSISTOR		
D35,36			MA742	DIODE		Q23			2SA1641(S,T)	TRANSISTOR		
D37		*	XB15A709	DIODE		Q24			DTA114EKA	DIGITAL TRANSISTOR		
D39			UDZ4.7(B)	ZENER DIODE		Q25			2SC2954	TRANSISTOR		
D40			MA742	DIODE		Q26			DTA114EKA	DIGITAL TRANSISTOR		
D41			HZU5ALL	DIODE		Q27			3SK241(R)	FET		
D501-504			MA2S111	DIODE		Q28			2SB1132(Q,R)	TRANSISTOR		
D505			MA2S111	DIODE	762	Q29			DTC114EKA	DIGITAL TRANSISTOR		
D506,507			MA2S111	DIODE		Q31			2SC2412K	TRANSISTOR		
D508			MA742	DIODE		Q32			2SB1565(E,F)	TRANSISTOR		
D523			DAN202U	DIODE		Q33			DTC114EKA	DIGITAL TRANSISTOR		
D524,525			HSB123	DIODE		Q35			DTC144EKA	DIGITAL TRANSISTOR		
D526			1812L075PR	VARISTOR		Q36			2SC2412K	TRANSISTOR		
D527,528			HSB123	DIODE		Q37,38			2SK1824	FET		
D529			MA742	DIODE		Q501			2SC4619	TRANSISTOR		
IC1,2			TA75S01F	IC (OP AMP)		Q502,503			DTC114EE	DIGITAL TRANSISTOR		
IC3			MB15A02	IC (PLL IC)		Q504			2SC4617(S)	TRANSISTOR		
IC4			NJM4558M	IC (OP AMP X2)		Q505			2SB1132(Q,R)	TRANSISTOR		
IC5			TA31136FN	IC (FM IF DETECTOR)		Q506			DTC114EE	DIGITAL TRANSISTOR		
IC6			M62363FP	IC (8bit D/A CONVERTER)		Q508			2SC4617(S)	TRANSISTOR		
IC7			NJM2904M	IC (OP AMP X2)		Q509			DTC363EU	DIGITAL TRANSISTOR		
IC8			UPB1509GV	IC		TH1			157-153-65001	THERMISTOR		
IC9			BU4094BCF	IC (8-STAGE SHIFT/STORE REGISTER)		PLL/VCO (X58-4670-10)						
IC10			NJM78L05UA	IC (VOLTAGE REGULATOR/ +5V)		C102			CK73GB1H471K	CHIP C	470PF	K
IC11			AN8009M	IC (REGULATOR)		C104,105			CC73GCH1H150J	CHIP C	15PF	J
IC12			TA7808S	IC (REGULATOR)		C107			CC73GCH1H080D	CHIP C	8.0PF	D
IC13			LA4422	IC (AF POWER AMP/ 5.8W)		C110			CC73GCH1H040B	CHIP C	4.0PF	B
IC14			TC4013BF(N)	IC (MEMORY)		C111			CC73GCH1H050B	CHIP C	5.0PF	B
IC15			TA75S01F	IC (OP AMP)		C112,113			CC73GCH1H020B	CHIP C	2.0PF	B
IC400	2C,2F		M68702H	IC (POWER MODULE)		C114,115			CC73GCH1H060D	CHIP C	6.0PF	D
IC501			AT29C020-90TI	IC (FLASH ROM)		C116			CC73GCH1H120J	CHIP C	12PF	J
IC502			30622M4102GP	CPU		C117			CK73GB1H471K	CHIP C	470PF	K
IC503			RH5VL42C	IC (REGULATOR)		C118			CC73GCH1H050B	CHIP C	5.0PF	B
IC505			AT2408N10SI2.5	IC (8kbit SERIAL EEPROM)		C119,120			CK73GB1H471K	CHIP C	470PF	K
IC507			NJM2904V	IC (APC)		C121			CC73GCH1H090D	CHIP C	9.0PF	D
IC508			TC35453F	IC (AUDIO PROCESSOR)		C122			CC73GCH1H0R5B	CHIP C	0.5PF	B
IC509			BU4066BCFV	IC (ANALOG SWITCH X4)		C123			CK73GB1H471K	CHIP C	470PF	K
IC510			BU4094BCFV	IC (8bit SHIFT/STORE REGISTER)		C124			CC73GCH1H0R5B	CHIP C	0.5PF	B
IC511			LC73872M	IC (DTMF RECEIVER)		C125			CK73GB1H102K	CHIP C	1000PF	K
IC512			NJM78L05UA	IC (VOLTAGE REGULATOR)		C126			CK73GB1H471K	CHIP C	470PF	K
IC513			TA75W558FU	IC (OP AMP X2)		C127			CC73GCH1H100D	CHIP C	10PF	D
IC514			TC75W51FU	IC (OP AMP X2)		TC106			C05-0384-05	CERAMIC TRIMMER CAP (10P/8)		
Q1			DTD114EK	DIGITAL TRANSISTOR								
Q2			KRA225S	DIGITAL TRANSISTOR								
Q3			DTA114EKA	DIGITAL TRANSISTOR								
Q4-6			DTC114EKA	DIGITAL TRANSISTOR								

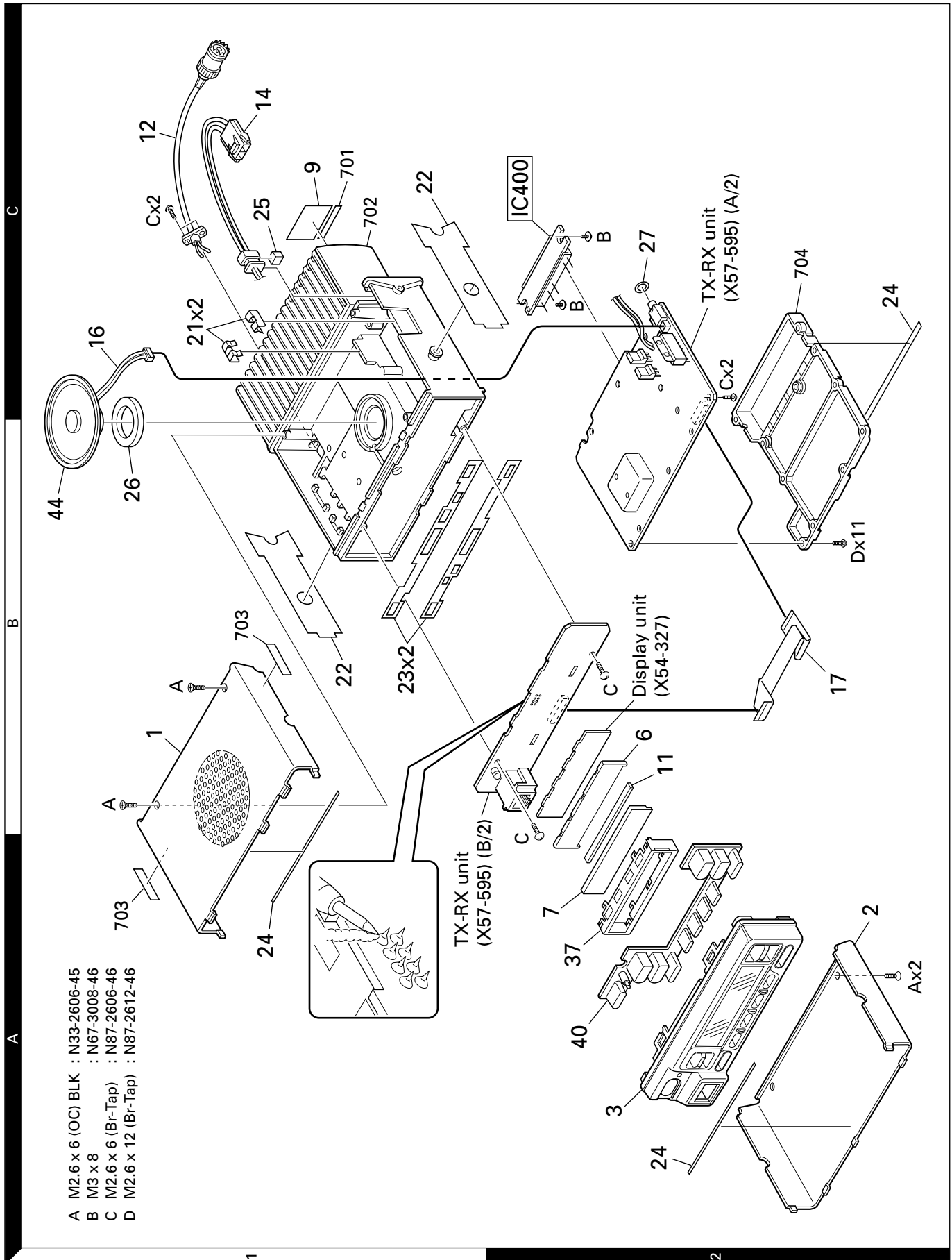
PARTS LIST

PLL/VCO (X58-4670-10)

Ref. No.	Address	New parts	Parts No.	Description	Destination	Ref. No.	Address	New parts	Parts No.	Description	Destination
TC109			C05-0384-05	CERAMIC TRIMMER CAP (10P/8)							
CN101			E40-6019-05	PIN ASSY							
-			F10-2279-04	SHIELDING CASE							
L101-104			L40-1595-34	SMALL FIXED INDUCTOR (1.5UH/8)							
L105			L40-3975-34	SMALL FIXED INDUCTOR (39NH/8)							
L106			L40-2775-34	SMALL FIXED INDUCTOR (27NH/8)							
L107,108			L40-1098-76	SMALL FIXED INDUCTOR (1UH/2522)							
L109,110			L40-1595-34	SMALL FIXED INDUCTOR (1.5UH/8)							
L111			L34-4547-05	AIR-CORE COIL							
L116			L34-4549-05	AIR-CORE COIL							
R101,102			RK73GB1J101J	CHIP R 100 J 1/16W							
R103			RK73GB1J102J	CHIP R 1.0K J 1/16W							
R104			RK73GB1J470J	CHIP R 47 J 1/16W							
R105			RK73GB1J154J	CHIP R 150K J 1/16W							
R106			RK73GB1J470J	CHIP R 47 J 1/16W							
R107-110			RK73GB1J103J	CHIP R 10K J 1/16W							
R111			RK73GB1J331J	CHIP R 330 J 1/16W							
R112,113			RK73GB1J181J	CHIP R 180 J 1/16W							
R114			RK73GB1J470J	CHIP R 47 J 1/16W							
R115			RK73GB1J103J	CHIP R 10K J 1/16W							
R116			RK73GB1J392J	CHIP R 3.9K J 1/16W							
R117			RK73GB1J101J	CHIP R 100 J 1/16W							
D101-104			1SV283	VARIABLE CAPACITANCE DIODE							
D105			HVU363A	DIODE							
Q101			2SK508NV(K52)	FET							
Q102			DTC114EUA	DIGITAL TRANSISTOR							
Q103			2SK508NV(K52)	FET							
Q104,105			2SC4081	TRANSISTOR							
Q106			2SC4226(R24)	TRANSISTOR							

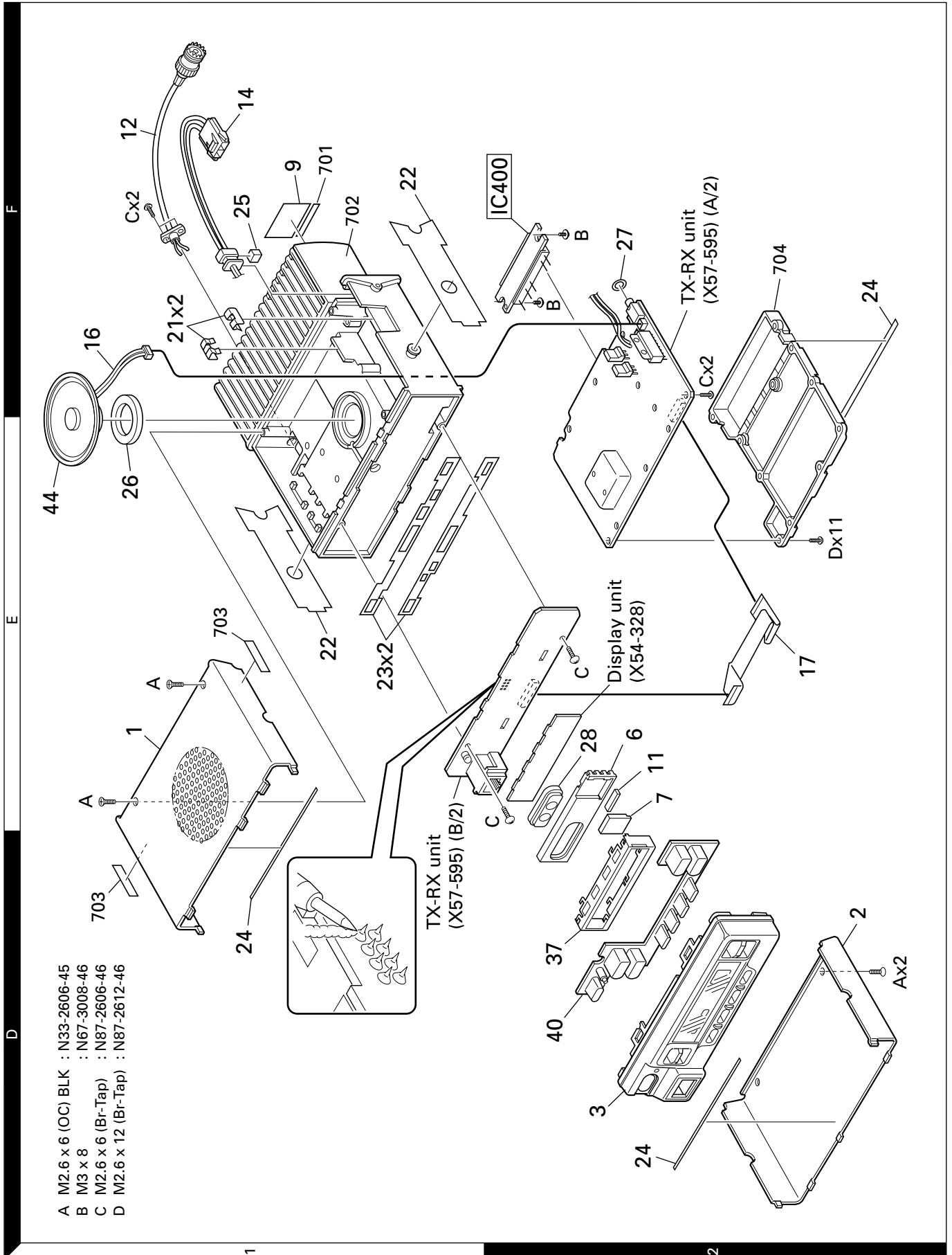
TK-760HG/762HG

EXPLODED VIEW (TK-760HG)



TK-760HG/762HG

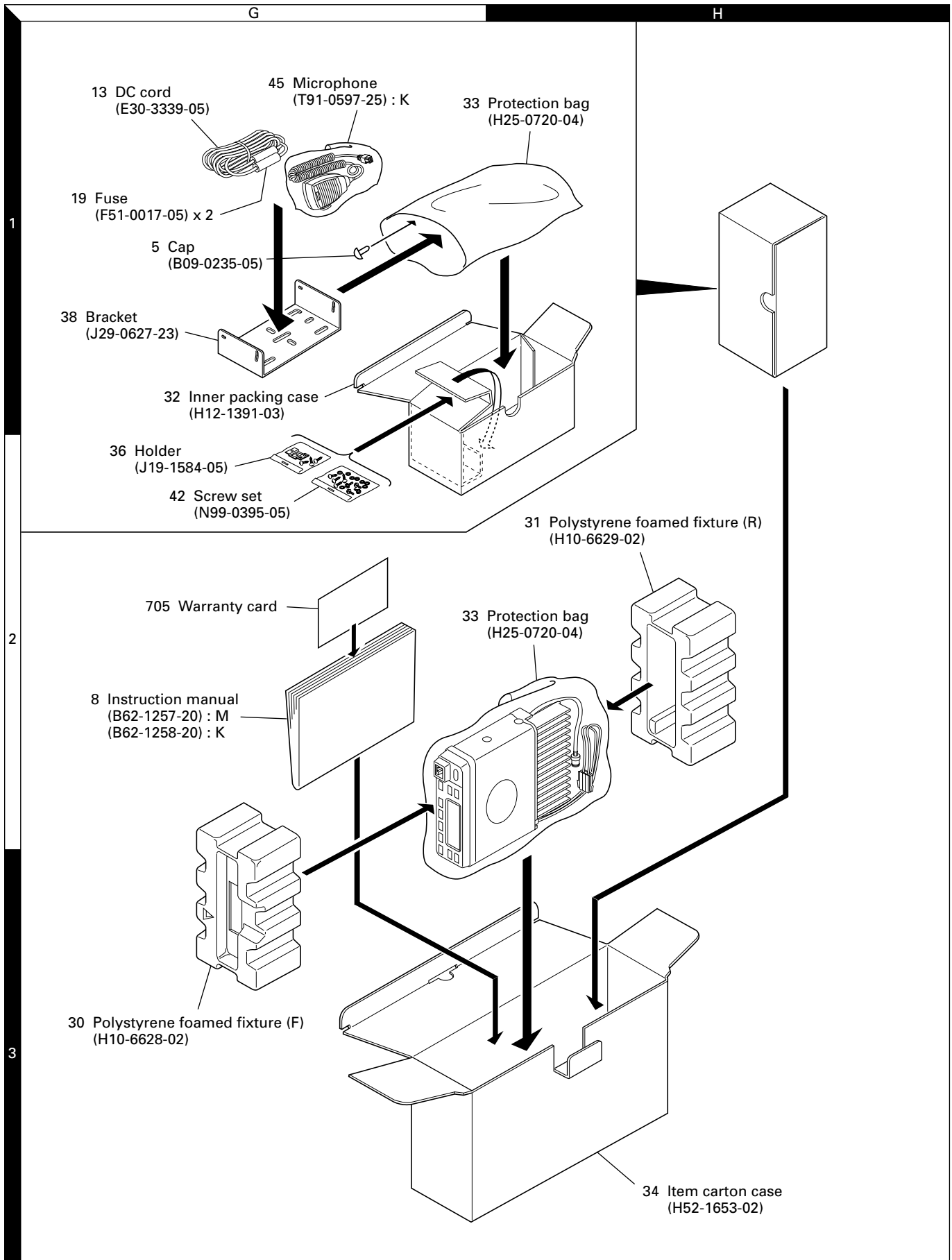
EXPLODED VIEW (TK-762HG)



- A M2.6 x 6 (OC) BLK : N33-2606-45
- B M3 x 8 : N67-3008-46
- C M2.6 x 6 (Br-Tap) : N87-2606-46
- D M2.6 x 12 (Br-Tap) : N87-2612-46

Parts with the exploded numbers larger than 700 are not supplied.

PACKING



ADJUSTMENT

Test Mode (TK-760HG Only)

■ Test Mode Operating Features

This transceiver has a test mode. **To enter test mode, press [SCN] key and turn power on. Hold [SCN] key until test channel No. and test signalling No. appears on LCD.** Test mode can be inhibited by programming. To exit test mode, switch the power on again. The following functions are available in test mode.

• Controls

- [PTT] Used when making a transmission.
- [MON] Monitor on and off.
- [SCN] Sets to the tuning mode.
- [A] Function on.
- [D/A] RF power high and low.
- [▼] Changes signalling.
- [▲] Changes wide and narrow
- [CH▲/▼] Changes channel.
- [Volume▲/▼] Volume up/down.

• LCD indicator

- "SCN" Unused.
- "AUX" Lights at RF power low.
- "MON" Lights at monitor on.
- "Right side dot" Lights at narrow.

• LED indicator

- Red LED Lights during transmission.
- Green LED Lights when there is a carrier.

■ Frequency and Signalling

The set has been adjusted for the frequencies shown in the following table. When required, re-adjust them following the adjustment procedure to obtain the frequencies you want in actual operation.

• Frequency (MHz)

Channel No.	TK-760HG/762HG (K)		TK-760HG (M)	
	RX	TX	RX	TX
1 (Center)	161.050	161.100	160.050	160.100
2 (Low)	148.050	148.100	146.050	146.100
3 (High)	173.950	173.900	173.950	173.900
4	161.000	161.000	160.000	160.000
5	161.200	161.200	160.200	160.200
6	161.400	161.400	160.400	160.400
7~16	-	-	-	-

• Signalling

Signalling No.	RX	TX
1	None	None
2	None	100Hz square
3	QT 67.0Hz	QT 67.0Hz
4	QT 151.4Hz	QT 151.4Hz
5	QT 210.7Hz	QT 210.7Hz
6	QT 250.3Hz	QT 250.3Hz
7	DQT D023N	DQT D023N
8	DQT D754I	DQT D754I
9	DTMF DEC, (159D)	DTMF ENC, (159D)
10	None	DTMF tone (9)
11	2-tone 321.7/928.1Hz	None
12	Single tone 1200Hz	Single tone 1200Hz

• Preparations for tuning the transceiver

Before attempting to tune the transceiver, connect the unit to a suitable power supply.

Whenever the transmitter is turned, the unit must be connected to a suitable dummy load (i.e. power meter).

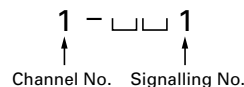
The speaker output connector must be terminated with a 4Ω dummy load and connected to an AC voltmeter and an audio distortion meter or a SINAD measurement meter at all times during tuning.

• Transceiver tuning

(To place transceiver in tuning mode)

Channel appears on LCD. Set channel according to tuning requirements.

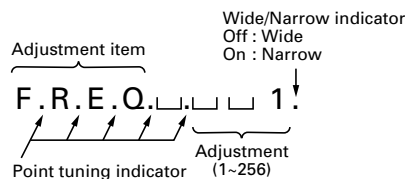
LCD display (Test mode)



Press [SCN], now in tuning mode. Use [D/A] button to write tuning data through tuning modes, and [CH▲/▼] to adjust tuning requirements (1 to 256 appears on LCD).

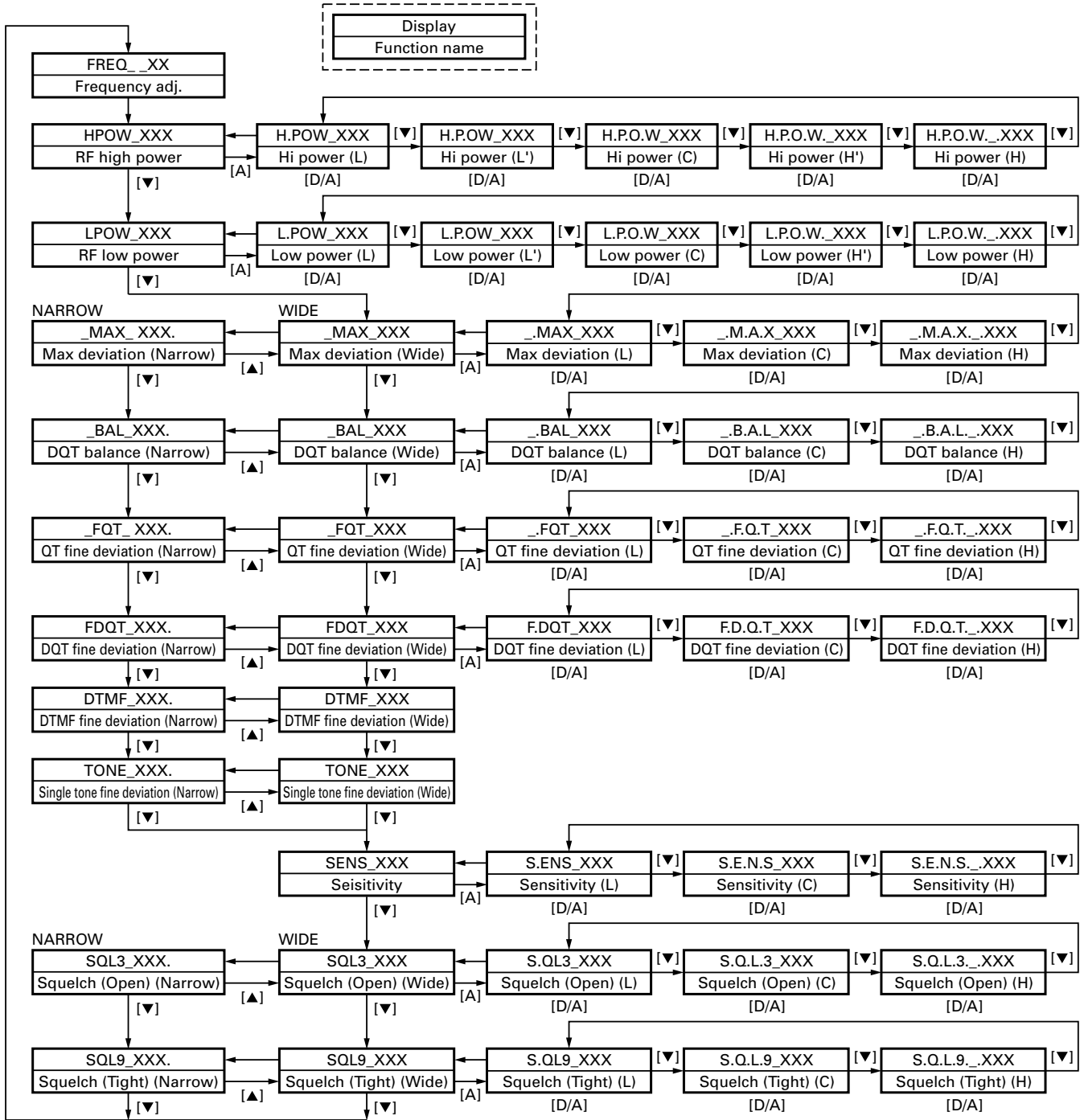
Use [▼] button to select the adjustment item through tuning modes. Use [A] button to adjust 3-point or 5-point tuning, and use [▲] button to switch between wide/narrow.

LCD display (Tuning mode)



ADJUSTMENT

■ Tuning Mode



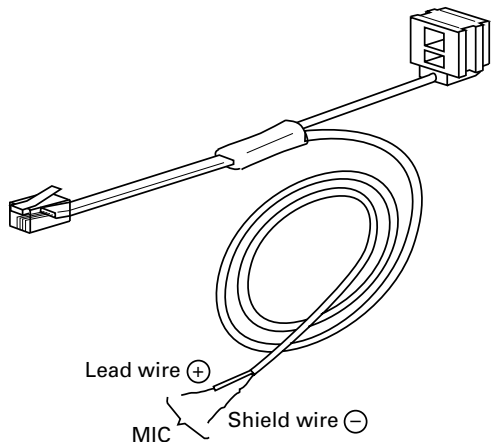
ADJUSTMENT

Test Equipment Required for Alignment

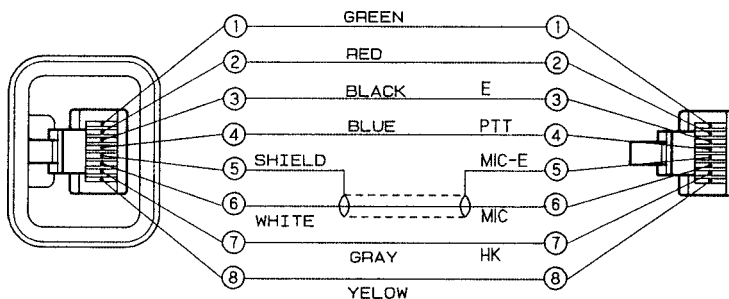
Test Equipment	Major Specifications	
1. Standard Signal Generator (SSG)	Frequency Range Modulation Output	136 to 174MHz Frequency modulation and external modulation -127dBm/0.1μV to greater than -7dBm/100mV
2. Power Meter	Input Impedance Operation Frequency Measurement Capability	50Ω 136 to 174MHz or more Vicinity of 100W
3. Deviation Meter	Frequency Range	136 to 174MHz
4. Digital Volt Meter (DVM)	Measuring Range Accuracy	1 to 20V DC High input impedance for minimum circuit loading
5. Oscilloscope		DC through 30MHz
6. High Sensitivity Frequency Counter	Frequency Range Frequency Stability	10Hz to 1000MHz 0.2ppm or less
7. Ammeter		20A
8. AF Volt Meter (AF VTVM)	Frequency Range Voltage Range	50Hz to 10kHz 1mV to 10V
9. Audio Generator (AG)	Frequency Range Output	20Hz to 20kHz or more 0 to 1V
10. Distortion Meter	Capability Input Level	3% or less at 1kHz 50mV to 10Vrms
11. 4Ω Dummy Load		Approx. 4Ω, 10W or more
12. Regulated Power Supply		13.6V, approx. 20A (adjustable from 9 to 20V) Useful if ammeter requipped

Tuning cable (E30-3383-05)

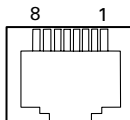
Adapter cable (E30-3383-05) is required for injecting an audio if PC tuning is used. See "PC Mode" section for the connection.



Test cable for microphone input (E30-3360-08)



MIC connector (Front view)



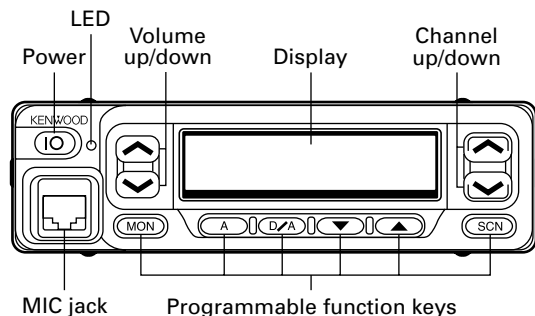
- 1 : BLC
- 2 : PSB
- 3 : E
- 4 : PTT
- 5 : ME
- 6 : MIC
- 7 : HOOK
- 8 : CM

TK-760HG/762HG

ADJUSTMENT

Adjustment Location

■ Switch (TK-760HG)



■ Note

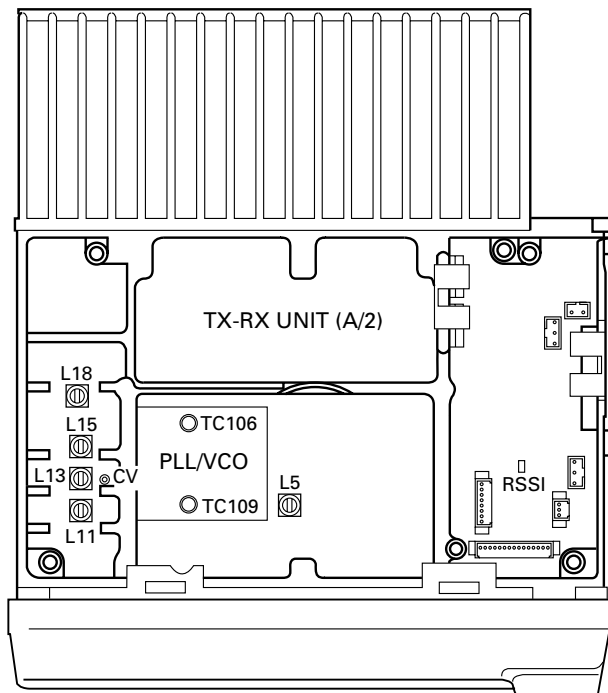
• Flash memory

The firmware program (User mode, Test mode, Tuning mode, etc.) and the data programmed by the FPU (KPG-56D) for the flash memory, is stored in memory. When parts are changed, program the data again.

• EEPROM

The tuning data (Deviation, Squelch, etc.) for the EEPROM, is stored in memory. When parts are changed, readjust the transceiver.

■ Adjustment Point



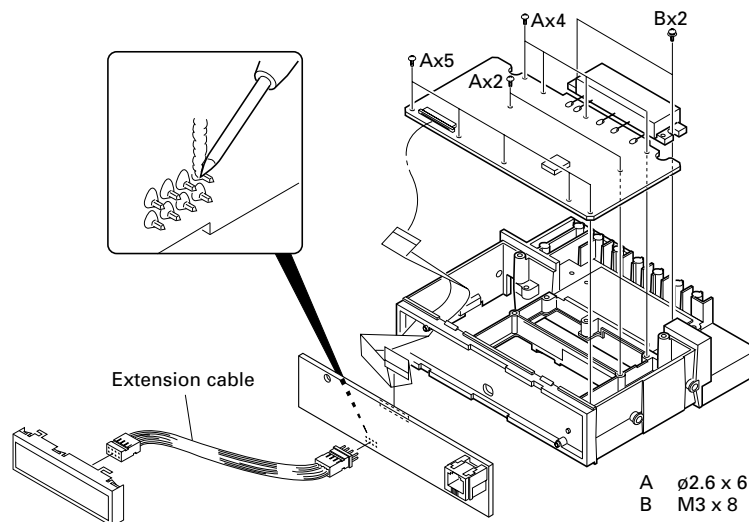
■ Repair Jig

• Chassis

Use jig (Part No. : A10-4010-02) for repairing the TK-760HG/762HG. The jig facilitates the voltage check when the voltage on the component side TX-RX unit is checked during repairs.

• Extension cable

Part No. : E30-3404-05




ADJUSTMENT

Common Section Since the TK-762HG cannot be tuned from the panel, the FPU (KPG-56D) should be used for adjustment.


Item	Condition	Measurement			Adjustment			Specifications/Remarks			
		Test-equipment	Unit	Terminal	Unit	Parts	Method				
1. PLL lock voltage RX	1) Set test mode CH : CH3 - Sig1	DVM Power meter F. conter	TX-RX (A/2)	CV	PLL	TC106	7.5V	±0.1V			
						TC109	7.5V				
	TX				2) PTT : ON (Transmit)					Check	1.0V or more
	RX				3) CH : CH2 - Sig1 AUX : ON (talk-around mode)						0.5V or more
	TX	4) PTT : ON (Transmit)									

Receiver Section

Item	Condition	Measurement			Adjustment			Specifications/Remarks
		Test-equipment	Unit	Terminal	Unit	Parts	Method	
1. Discriminator • Wide	1) Set test mode CH : CH1 - Sig1 SSG output : -53dBm/501μV SSG MOD : 3kHz AF : 1.4V/4Ω	SSG AF VTVM Oscilloscope	Rear panel	ANT ACC (EXT.SP)	TX-RX (A/2)	L5	AF output maximum.	
2. Sensitivity • Wide	1) Set test mode Select "SENS" in tuning mode. "S.E.N.S." Adjust [120] SSG freq' : 161.050MHz K : 160.050MHz M SSG output : -118dBm/0.28μV SSG MOD : 3kHz AF output : 1V/4Ω	SSG AF VTVM Distortion meter Oscilloscope AG	Rear panel	ANT ACC (EXT.SP)	TX-RX (A/2)	L11 L13 L15 L18	RSSI voltage maximum.	
	2) "S.ENS" Adjust [***] SSG freq' : 148.050MHz K : 146.050MHz M					Front panel CH 		
	3) "S.E.N.S._." Adjust [***] SSG freq' : 173.950MHz							
3. Squelch 3 • Wide	1) Set test mode Select "SQL3" in tuning mode. "S.QL3" Adjust [***] SSG freq' : 148.050MHz K : 146.050MHz M SSG output : -127dBm/0.1μV SSG MOD : 3kHz (Wide) 1.5kHz (Narrow)						Adjust to the squelch threshold point.	

TK-760HG/762HG

ADJUSTMENT

Item	Condition	Measurement			Adjustment			Specifications/Remarks
		Test-equipment	Unit	Terminal	Unit	Parts	Method	
	2) "S.Q.L.3" Adjust [***] SSG freq' : 161.050MHz K : 160.050MHz M	SSG AF VTVM Distortion meter Oscilloscope AG	Rear panel	ANT	Front panel	CH 	Adjust to the squelch threshold point.	
	3) "S.Q.L..3.." Adjust [***] SSG freq' : 173.950MHz			ACC (EXT.SP)				
• Narrow	4) "SQL3***." Adjust [***] SSG freq' : 161.050MHz K : 160.050MHz M							
4. Squelch 9 • Wide	1) Set test mode Select "SQL9" in tuning mode. "S.QL9" Adjust [***] SSG freq' : 148.050MHz K : 146.050MHz M SSG output : -114dBm/0.44μV SSG MOD : 3kHz (Wide) 1.5kHz (Narrow)							
	2) "S.Q.L.9" Adjust [***] SSG freq' : 161.050MHz K : 160.050MHz M							
	3) "S.Q.L.9.." Adjust [***] SSG freq' : 173.950MHz K,M : 161.950MHz K2							
• Narrow	4) "SQL9***." Adjust [***] SSG freq' : 161.050MHz K : 160.050MHz M							
5. Squelch check	1) Set test mode CH : CH1 - Sig1~CH3 - Sig1 SSG output : -118dBm/0.28μV					Check	Squelch must be opened. (Wide/Narrow)	
	2) SSG output : OFF						Squelch must be closed. (Wide/Narrow)	
6. QT check	1) Set test mode CH : CH1 - Sig4 SSG MOD INT : 3kHz (Wide) 1.5kHz (Narrow) EXT : 151.4Hz SSG system MOD DEV : ±3.75kHz (Wide) : ±1.85kHz (Narrow) SSG output : 10dB SINAD level							
	2) CH : CH1 - Sig3 CH1 - Sig5 CH1 - Sig6					Check	Squelch must be opened.	

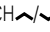

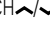
ADJUSTMENT

Transmitter Section





Item	Condition	Measurement			Adjustment			Specifications/Remarks
		Test-equipment	Unit	Terminal	Unit	Parts	Method	
1. Frequency	1) Set test mode Select "FREQ" in tuning mode. PTT : ON Adjust [_**]	Power meter F. counter	Rear panel	ANT	Front panel	CH \sim	Check	161.100MHz \pm 50Hz K 160.100MHz \pm 50Hz M
2. Power output	1) Maximum power Set test mode Select "HPOW" in tuning mode. "H.POW" Adjust [256] PTT : ON						Check	More than 52W
3. High power	1) Set test mode Select "HPOW" in tuning mode. "H.POW" PTT : ON Adjust [***]						50.0W	\pm 2.0W
	2) "H.P.OW" PTT : ON Adjust [***]							
	3) "H.P.O.W" PTT : ON Adjust [***]							
	4) "H.P.O.W." PTT : ON Adjust [***]						45.0W	\pm 2.0W
	5) "H.P.O.W._." PTT : ON Adjust [***]							
4. Low power	1) Set test mode Select "LPOW" in tuning mode. "L.POW" PTT : ON Adjust [***]	Power mete					10.0W	\pm 1.0W
	2) "L.P.OW" PTT : ON Adjust [***]							
	3) "L.P.O.W" PTT : ON Adjust [***]							
	4) "L.P.O.W." PTT : ON Adjust [***]							
	5) "L.P.O.W._." PTT : ON Adjust [***]							
5. Power check	1) Set test mode CH : CH1 - Sig1 CH2 - Sig1 CH3 - Sig1 PTT : ON	Power meter Ammeter	Rear panel	ANT DC IN			Check	CH1, CH2 : 50W \pm 2W, 12A or less CH3 : 45W \pm 2W, 12A or less

TK-760HG/762HG

ADJUSTMENT

Item	Condition	Measurement			Adjustment			Specifications/Remarks
		Test-equipment	Unit	Terminal	Unit	Parts	Method	
6. Modulation balanced • Wide	1) Set test mode MIC input : OFF Select "BAL" in tuning mode. "_.BAL" Deviation meter filter LPF : 3kHz HPF : OFF De-emphasis : OFF PTT : ON Adjust [***]	Power meter Deviation meter Oscilloscope	Rear panel	ANT	Front panel	CH 	Make the de-modulation waveform neat.	(Wide/Narrow) 
	2) "_.B.A.L." PTT : ON Adjust [***]	AF VTVM AG	Front panel	MIC				
	3) "_.B.A.L._." PTT : ON Adjust [***]							
	• Narrow				4) "_.BAL***." PTT : ON Adjust [***]			
7. Maximum deviation • Wide	1) Set test mode Connect AG to the MIC terminal. Select "MAX" in tuning mode. "_.MAX" AG : 1kHz/50mV Deviation meter filter LPF : 15kHz HPF : OFF De-emphasis : OFF PTT : ON Adjust [***]					3.95kHz (Wide) 1.95kHz (Narrow) (According to the larger +, -)	±50Hz (Wide/Narrow)	
	2) "_.M.A.X." PTT : ON Adjust [***]							
	3) "_.M.A.X._." PTT : ON Adjust [***]							
	• Narrow							4) "_.MAX***." PTT : ON Adjust [***]
8. MIC sensitivity check	1) Set test mode CH : CH1 - Sig1 AG : 1kHz/5mV PTT : ON Adjust [***]						Check ±3kHz±0.2kHz (Wide) ±1.5kHz±0.05kHz (Narrow)	
9. QT deviation • Wide	1) Set test mode Select "FQT" in tuning mode. "_.FQT" Deviation meter filter LPF : 3kHz HPF : OFF PTT : ON Adjust [***]				Front panel	CH 	0.75kHz ±50Hz (Wide/Narrow)	

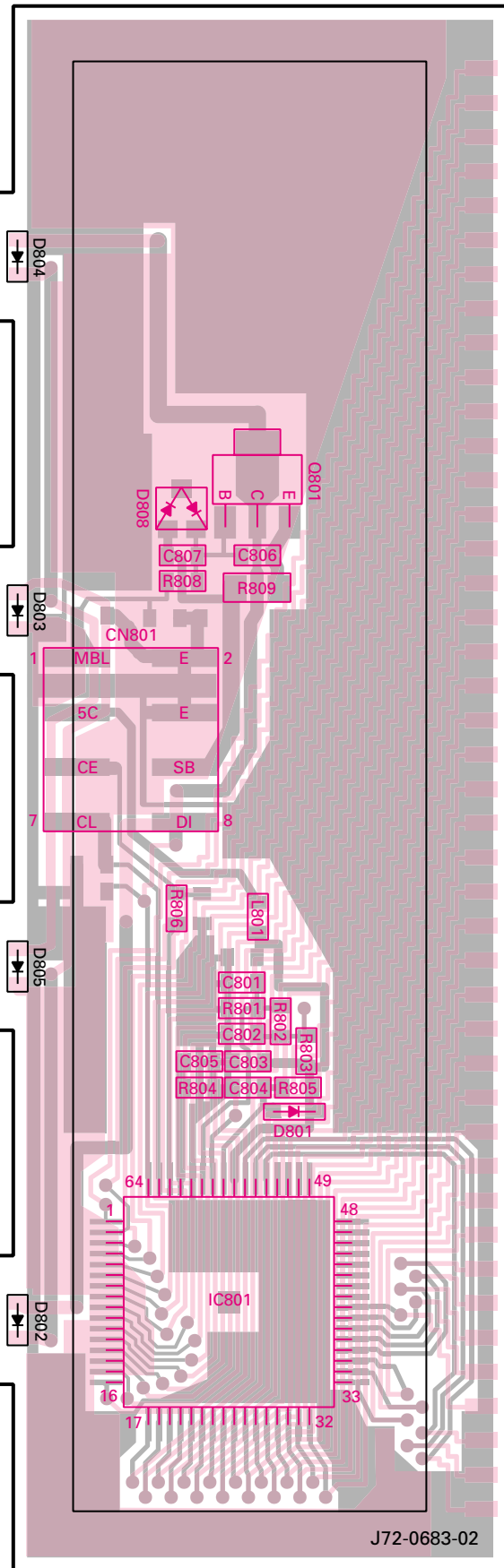
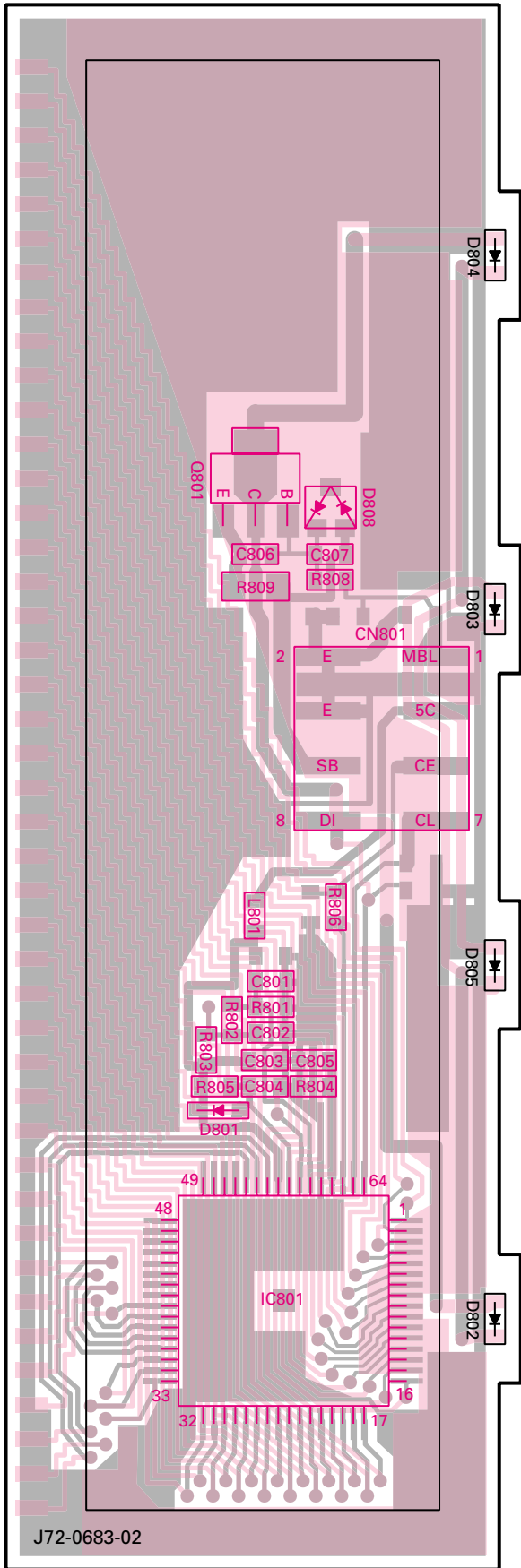
ADJUSTMENT

Item	Condition	Measurement			Adjustment			Specifications/Remarks
		Test-equipment	Unit	Terminal	Unit	Parts	Method	
	2) “_F.Q.T” PTT : ON Adjust [***]	Power meter Deviation meter Oscilloscope	Rear panel	ANT	Front panel	CH 	0.75kHz	±50Hz (Wide/Narrow)
	3) “_F.Q.T._.” PTT : ON Adjust [***]	AF VTVM AG	Front panel	MIC				
	• Narrow	4) “_FQT***.” PTT : ON Adjust [***]					0.35kHz	
10. DQT deviation • Wide	1) Set test mode Select “FDQT” in tuning mode. “F.DQT” Deviation meter filter LPF : 3kHz HPF : OFF PTT : ON Adjust [***]				Front panel	CH 	0.75kHz	±50Hz
	2) “F.D.Q.T” PTT : ON Adjust [***]							
	3) “F.D.Q.T._.” PTT : ON Adjust [***]							
• Narrow	4) “FDQT***.” PTT : ON Adjust [***]						0.36kHz	±40Hz
11. DTMF deviation • Wide	1) Set test mode Select “DTMF” in tuning mode. Deviation meter filter LPF : 15kHz HPF : OFF PTT : ON Adjust [***]				Front panel	CH 	3.0kHz	±0.2kHz
	• Narrow	2) “DTMF***.” PTT : ON Adjust [***]					1.5kHz	±0.1kHz
12. TONE deviation • Wide	1) Set test mode Select “TONE” in tuning mode. Deviation meter filter LPF : 15kHz HPF : OFF PTT : ON Adjust [***]				Front panel	CH 	3.0kHz	±0.1kHz (Wide/Narrow)
	• Narrow	2) “TONE***.” PTT : ON Adjust [***]					1.5kHz	

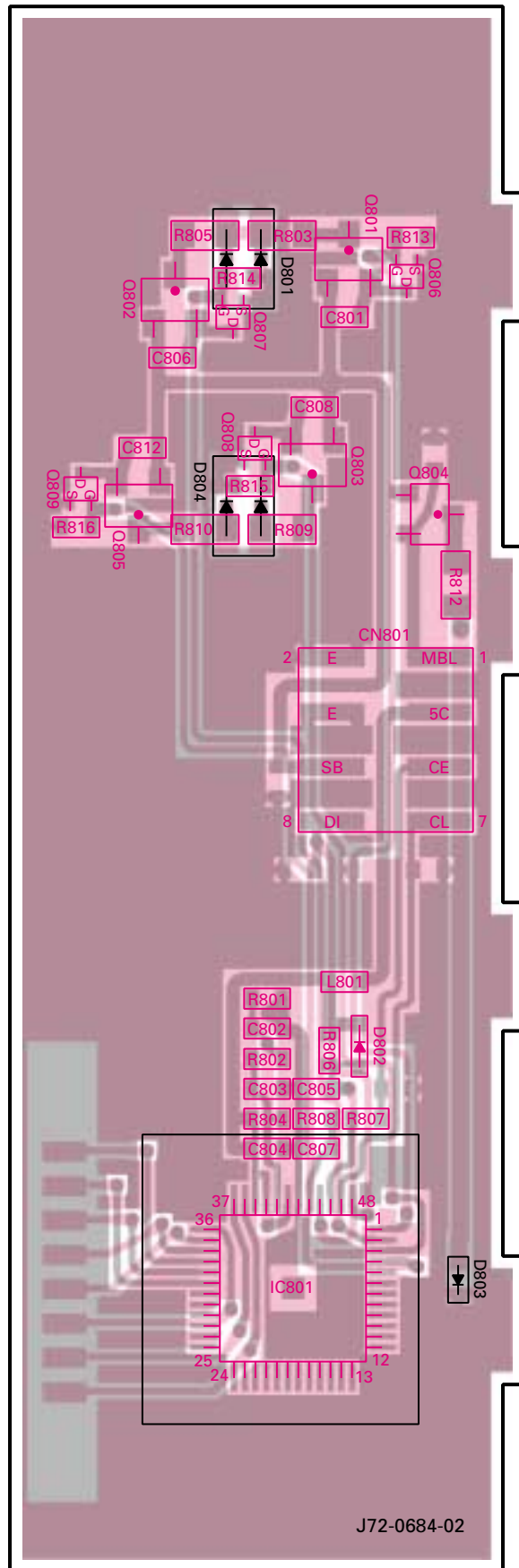
TK-760HG/762HG PC BOARD VIEWS

DISPLAY UNIT (X54-3270-10) : TK-760HG
Component side view

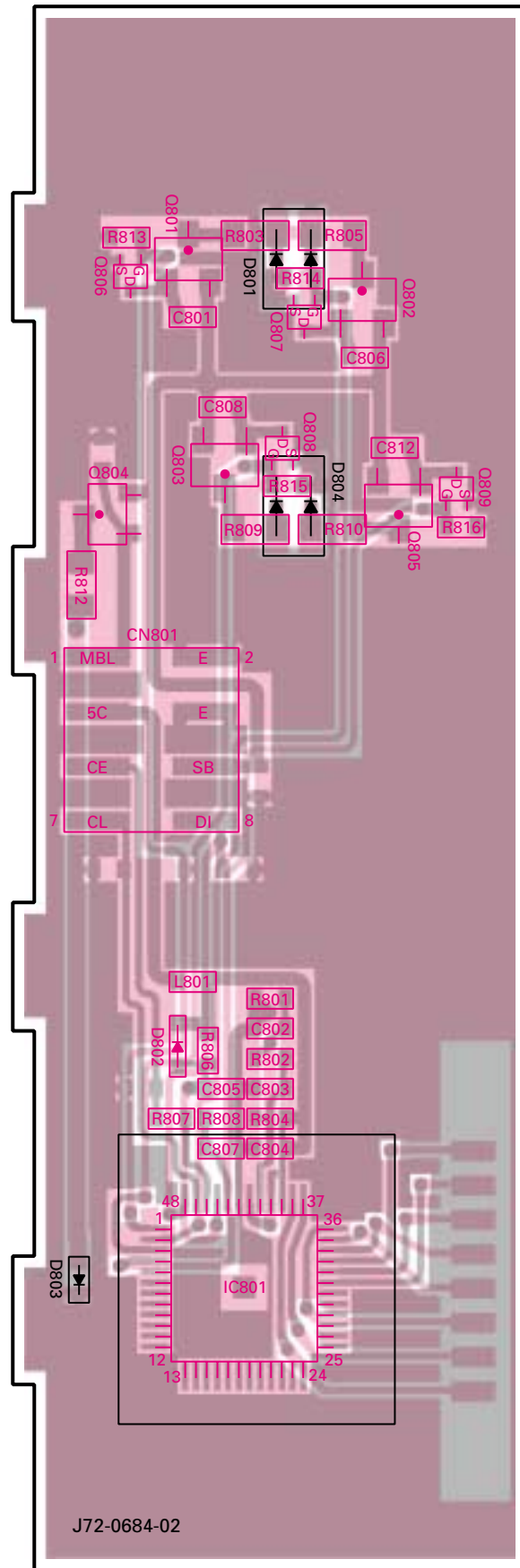
DISPLAY UNIT (X54-3270-10) : TK-760HG
Foil side view



DISPLAY UNIT (X54-3280-10) : TK-762HG
Component side view

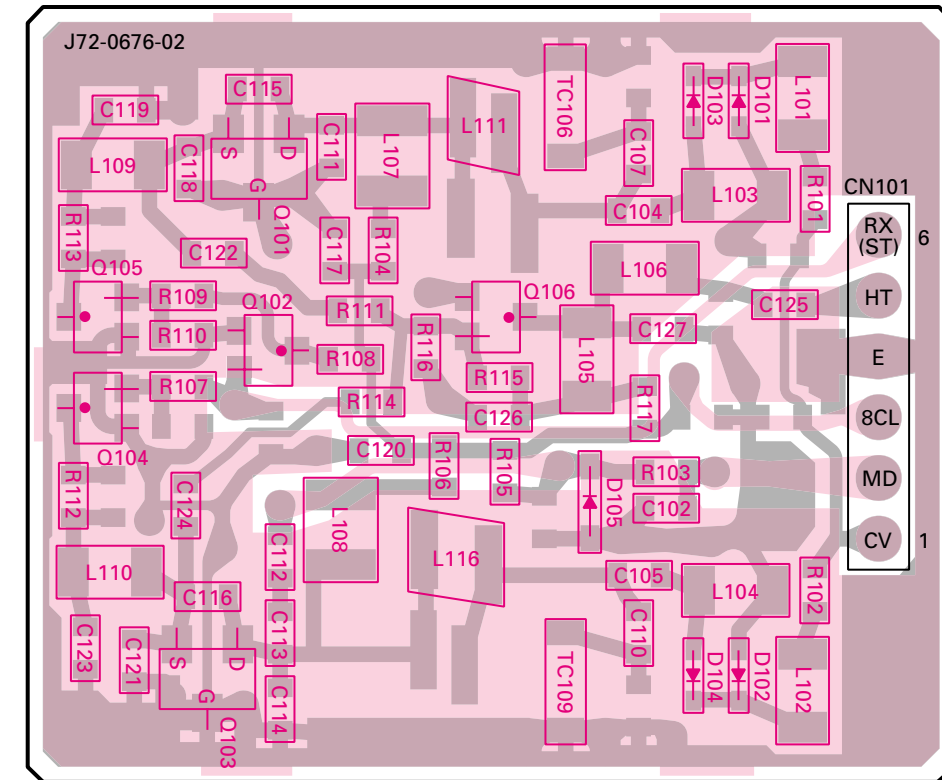


DISPLAY UNIT (X54-3280-10) : TK-762HG
Foil side view

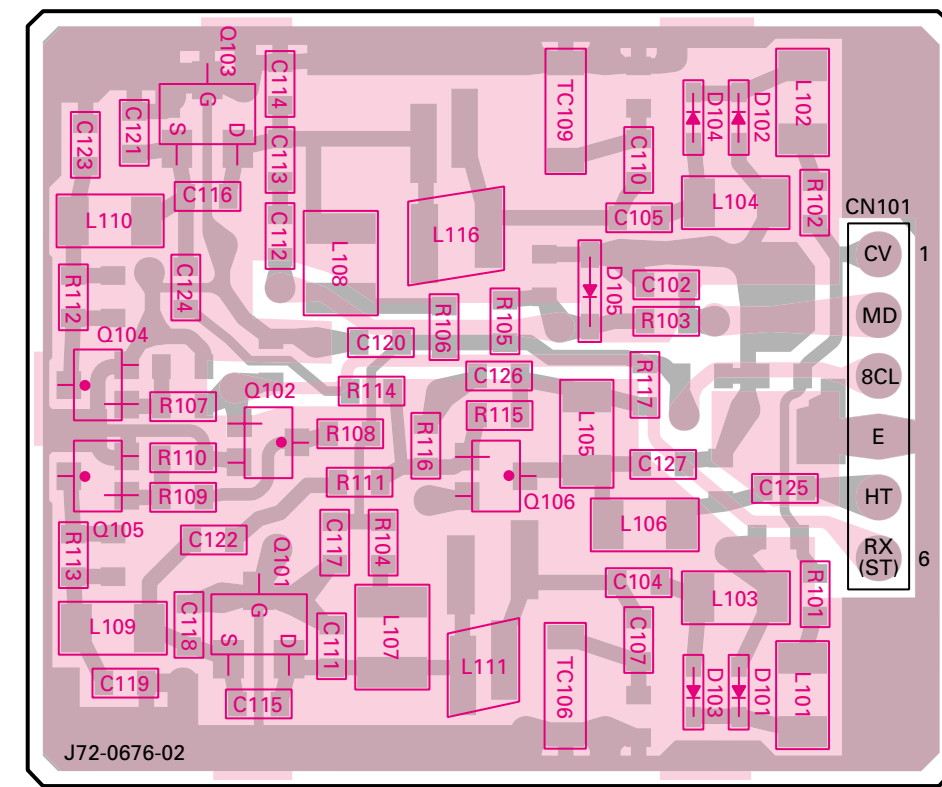


Component side Foil side

PLL/VCO (X58-4670-10) Component side view



PLL/VCO (X58-4670-10) Foil side view

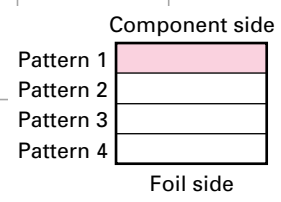
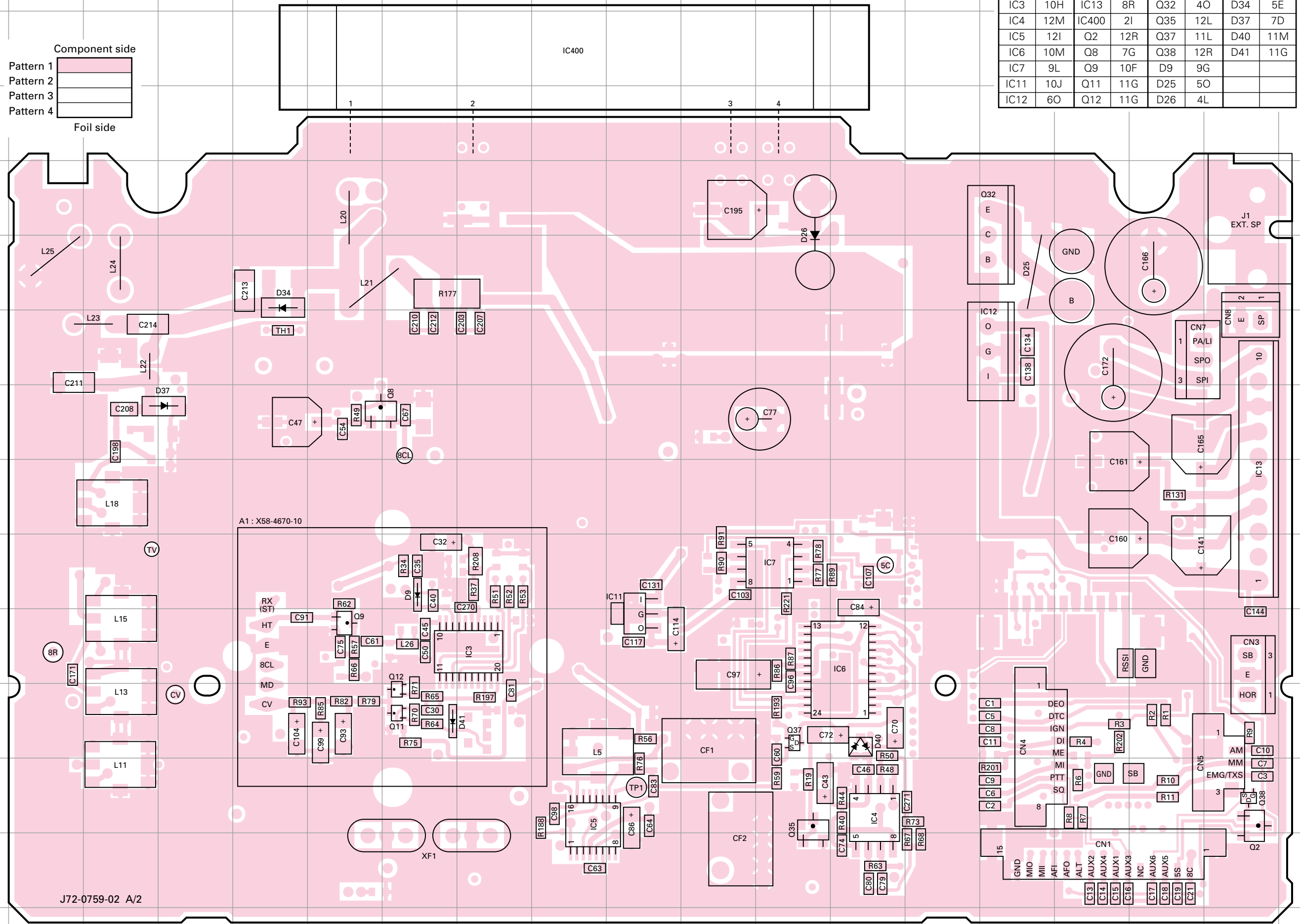


Component side
Foil side

TK-760HG/762HG PC BOARD VIEW

TX-RX UNIT (X57-5950-XX) (A/2) Component side view
 -14 : TK-760HG -15 : TK-762HG

Ref. No.	Address	Ref. No.	Address	Ref. No.	Address	Ref. No.	Address
IC3	10H	IC13	8R	Q32	4O	D34	5E
IC4	12M	IC400	2I	Q35	12L	D37	7D
IC5	12I	Q2	12R	Q37	11L	D40	11M
IC6	10M	Q8	7G	Q38	12R	D41	11G
IC7	9L	Q9	10F	D9	9G		
IC11	10J	Q11	11G	D25	5O		
IC12	6O	Q12	11G	D26	4L		



A1 : X58-4670-10

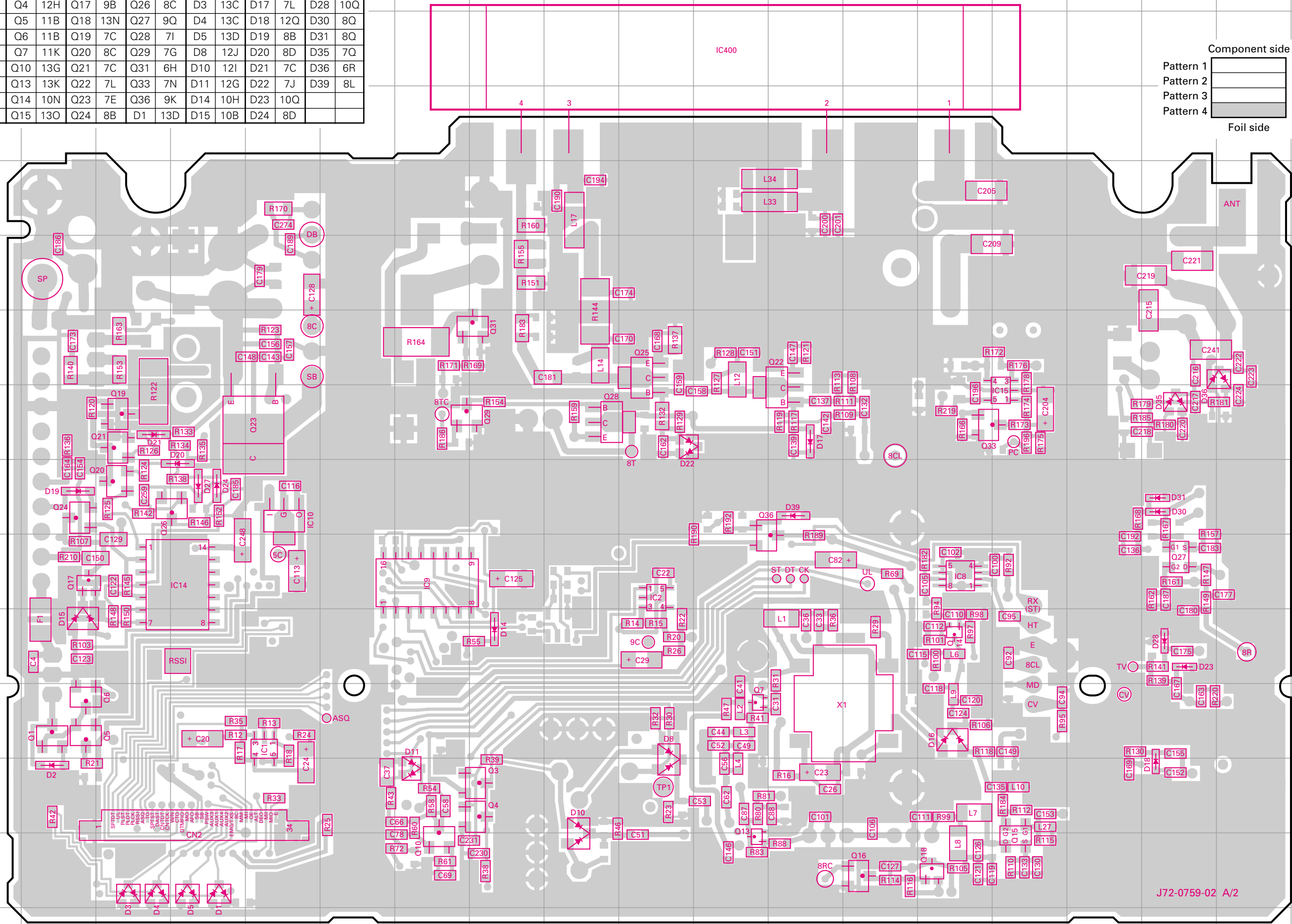
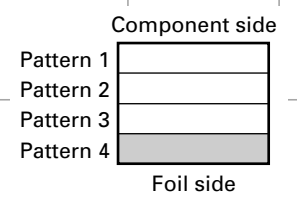
J72-0759-02 A/2

PC BOARD VIEW TK-760HG/762HG

TX-RX UNIT (X57-5950-XX) (A/2) Foil side view

-14 : TK-760HG -15 : TK-762HG

Ref. No.	Address	Ref. No.	Address	Ref. No.	Address	Ref. No.	Address	Ref. No.	Address	Ref. No.	Address		
IC1	11E	Q3	12H	Q16	13M	Q25	6J	D2	12B	D16	11N	D27	8D
IC2	9J	Q4	12H	Q17	9B	Q26	8C	D3	13C	D17	7L	D28	10Q
IC8	9N	Q5	11B	Q18	13N	Q27	9Q	D4	13C	D18	12Q	D30	8Q
IC9	9G	Q6	11B	Q19	7C	Q28	7I	D5	13D	D19	8B	D31	8Q
IC10	8E	Q7	11K	Q20	8C	Q29	7G	D8	12J	D20	8D	D35	7Q
IC14	9D	Q10	13G	Q21	7C	Q31	6H	D10	12I	D21	7C	D36	6R
IC15	7O	Q13	13K	Q22	7L	Q33	7N	D11	12G	D22	7J	D39	8L
IC400	2K	Q14	10N	Q23	7E	Q36	9K	D14	10H	D23	10Q		
Q1	11B	Q15	13O	Q24	8B	D1	13D	D15	10B	D24	8D		

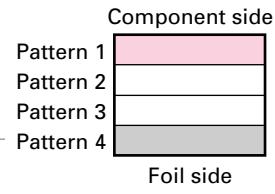


J72-0759-02 A/2

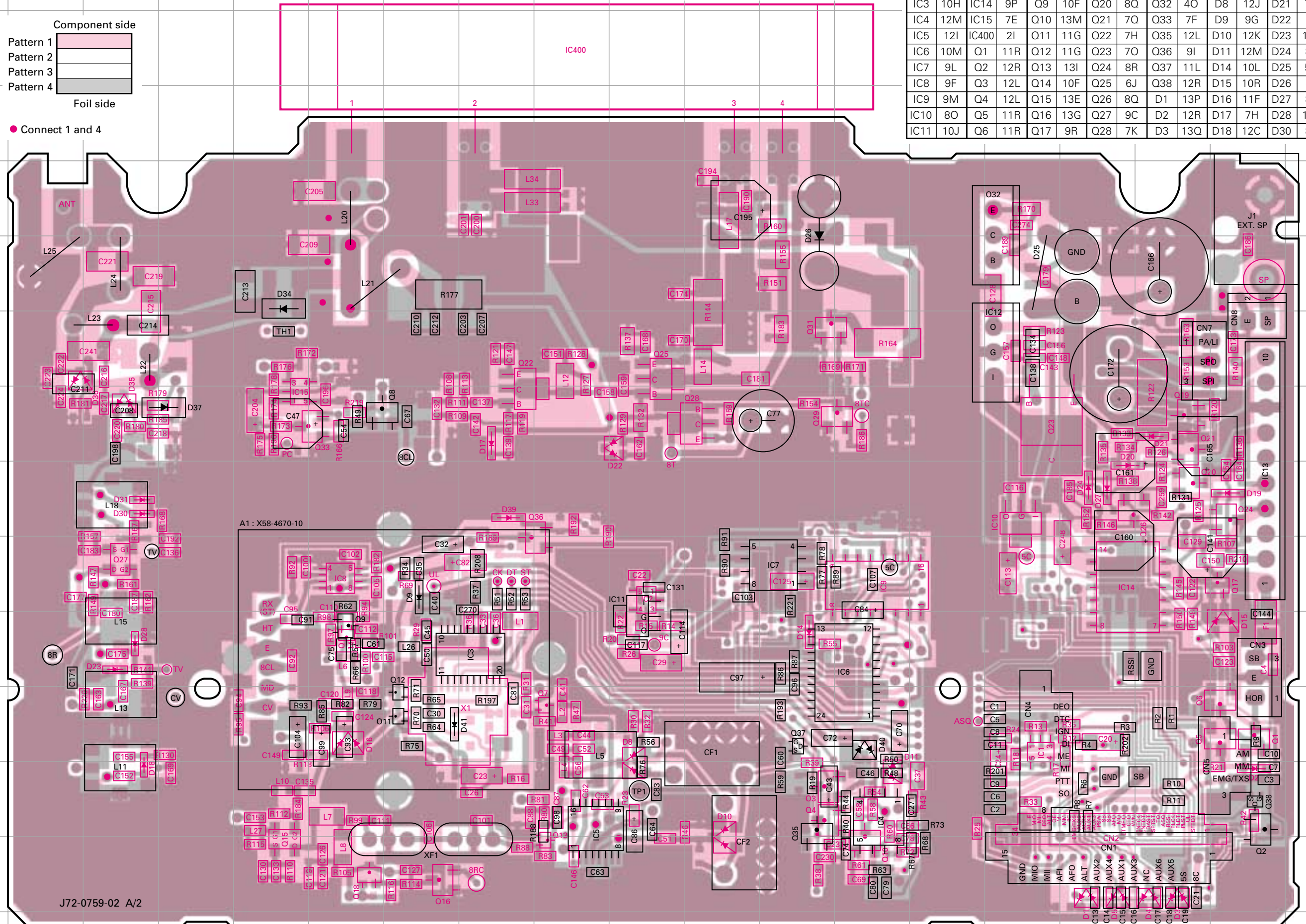
TK-760HG/762HG PC BOARD VIEW

TX-RX UNIT (X57-5950-XX) (A/2) Component side view + Foil side -14 : TK-760HG -15 : TK-762HG

Ref. No.	Address	Ref. No.	Address	Ref. No.	Address	Ref. No.	Address	Ref. No.	Address	Ref. No.	Address	Ref. No.	Address	Ref. No.	Address
IC1	11O	IC12	6O	Q7	11I	Q18	13F	Q29	7M	D4	13Q	D19	8R	D31	8C
IC2	9J	IC13	8R	Q8	7G	Q19	7Q	Q31	6L	D5	13P	D20	8P	D34	5E
IC3	10H	IC14	9P	Q9	10F	Q20	8Q	Q32	4O	D8	12J	D21	7Q	D35	7C
IC4	12M	IC15	7E	Q10	13M	Q21	7Q	Q33	7F	D9	9G	D22	7J	D36	6B
IC5	12I	IC400	2I	Q11	11G	Q22	7H	Q35	12L	D10	12K	D23	10C	D37	7D
IC6	10M	Q1	11R	Q12	11G	Q23	7O	Q36	9I	D11	12M	D24	8P	D39	8H
IC7	9L	Q2	12R	Q13	13I	Q24	8R	Q37	11L	D14	10L	D25	5O	D40	11M
IC8	9F	Q3	12L	Q14	10F	Q25	6J	Q38	12R	D15	10R	D26	4L	D41	11G
IC9	9M	Q4	12L	Q15	13E	Q26	8Q	D1	13P	D16	11F	D27	8P		
IC10	8O	Q5	11R	Q16	13G	Q27	9C	D2	12R	D17	7H	D28	10C		
IC11	10J	Q6	11R	Q17	9R	Q28	7K	D3	13Q	D18	12C	D30	8C		

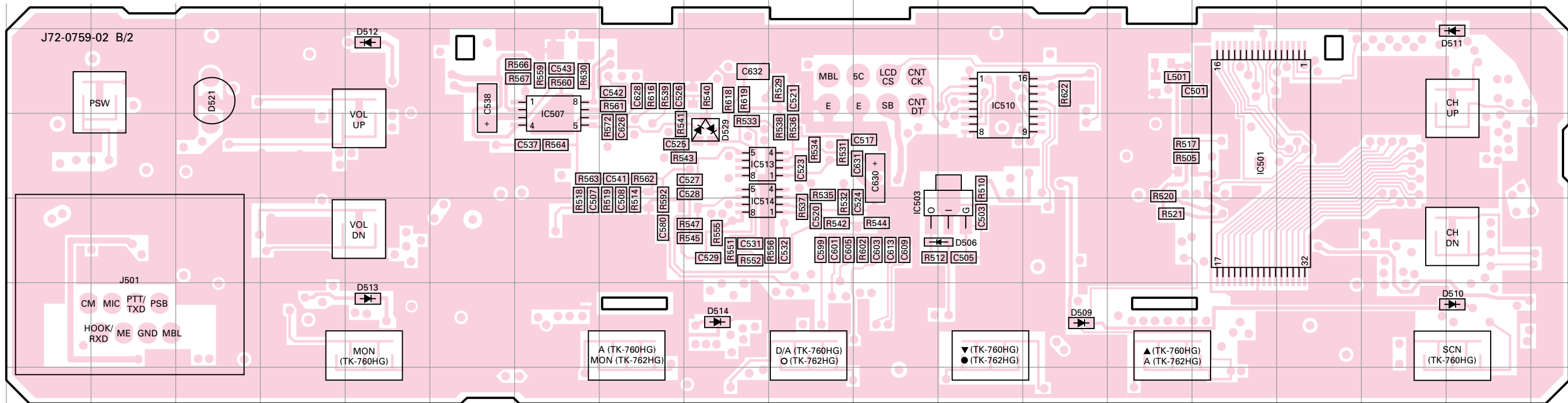


● Connect 1 and 4

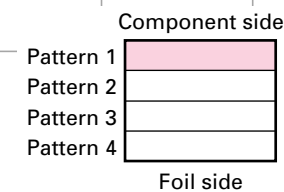


TX-RX UNIT (X57-5950-XX) (B/2) Component side view
 -14 : TK-760HG -15 : TK-762HG

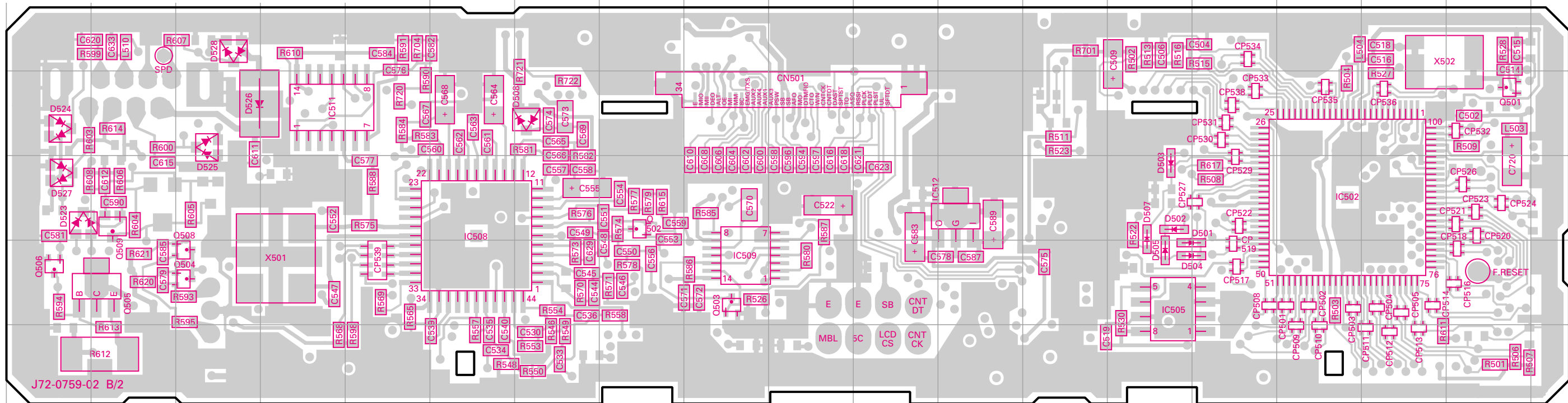
PC BOARD VIEWS TK-760HG/762HG



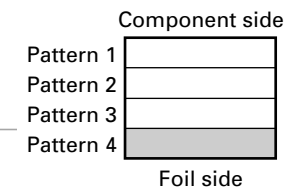
Ref. No.	Address	Ref. No.	Address	Ref. No.	Address	Ref. No.	Address	Ref. No.	Address
IC501	3O	IC510	2L	D506	4L	D511	2R	D514	5I
IC503	4L	IC513	3I	D509	5M	D512	2E	D521	2C
IC507	3G	IC514	4I	D510	5R	D513	5E	D529	3I



TX-RX UNIT (X57-5950-XX) (B/2) Foil side view
 -14 : TK-760HG -15 : TK-762HG



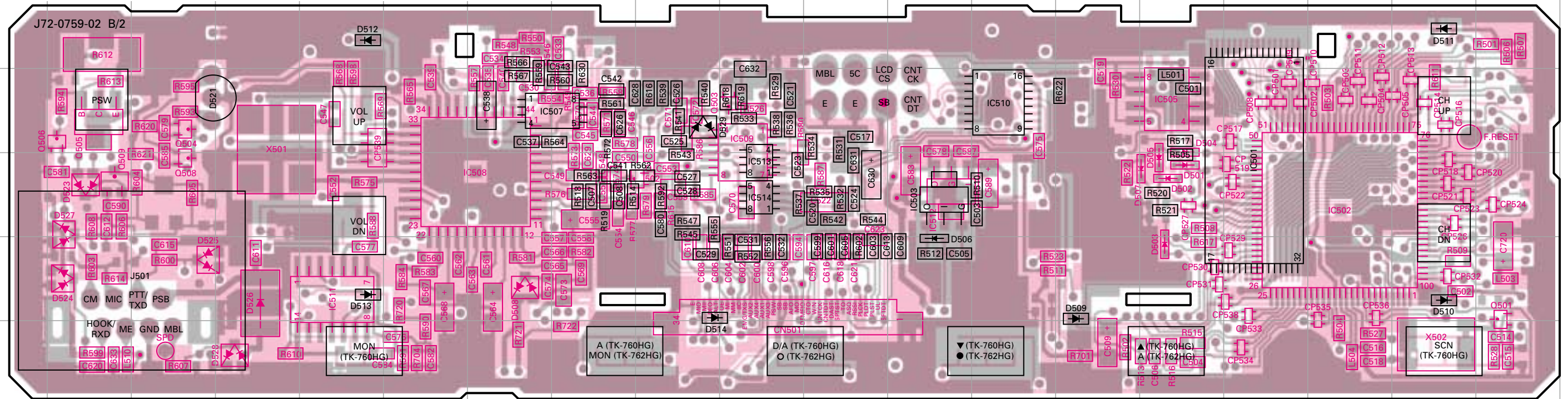
Ref. No.	Address	Ref. No.	Address	Ref. No.	Address	Ref. No.	Address	Ref. No.	Address	Ref. No.	Address	Ref. No.	Address	Ref. No.	Address
IC502	10P	IC509	11I	Q501	9R	Q504	11C	Q508	11C	D502	10N	D505	11N	D523	10A
IC505	11N	IC511	9D	Q502	10H	Q505	11B	Q509	10B	D503	10N	D507	10N	D524	9A
IC508	10F	IC512	10L	Q503	11I	Q506	11A	D501	11N	D504	11N	D508	9G	D525	9C



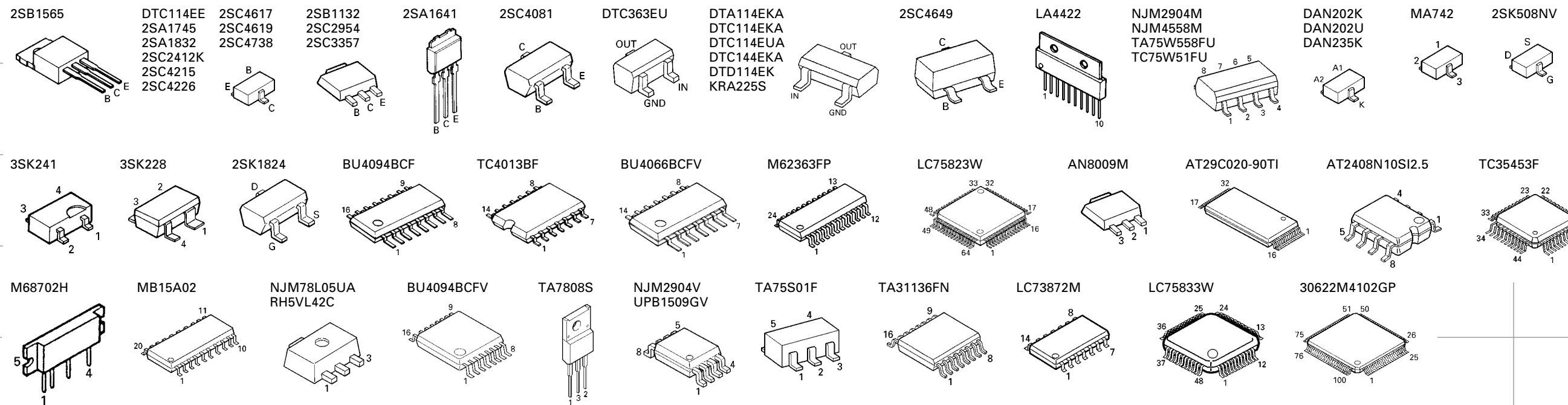
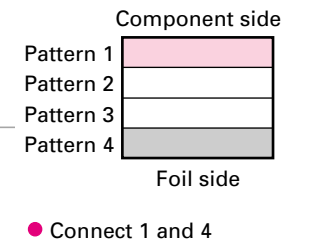
TK-760HG/762HG PC BOARD VIEW

TX-RX UNIT (X57-5950-XX) (B/2) Component side view + Foil side

-14 : TK-760HG -15 : TK-762HG

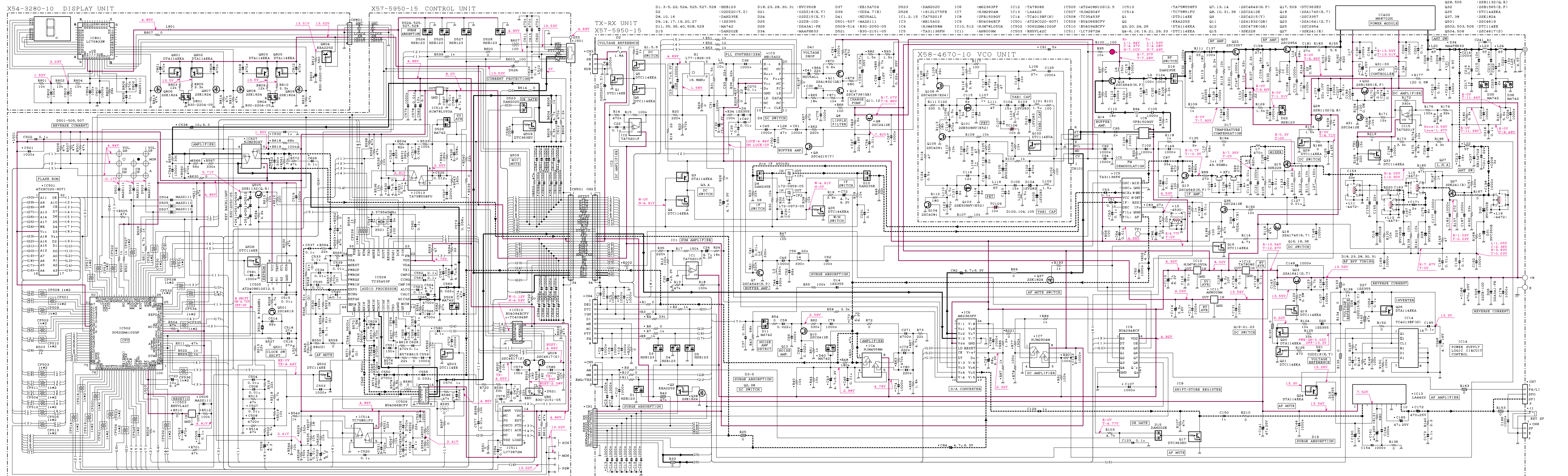


Ref. No.	Address	Ref. No.	Address	Ref. No.	Address	Ref. No.	Address	Ref. No.	Address	Ref. No.	Address
IC501	4P	IC510	3M	Q503	3J	D502	4O	D509	5N	D523	4B
IC502	4Q	IC511	5E	Q504	3C	D503	5O	D510	5R	D524	5B
IC503	4L	IC512	4L	Q505	3B	D504	4O	D511	2R	D525	5C
IC505	3O	IC513	4J	Q506	3B	D505	4O	D512	2E	D526	5D
IC507	3H	IC514	4J	Q508	4C	D506	5L	D513	5E	D527	4B
IC508	4G	Q501	5S	Q509	4B	D507	4O	D514	5I	D528	6D
IC509	3J	Q502	4I	D501	4O	D508	5G	D521	3C	D529	3I

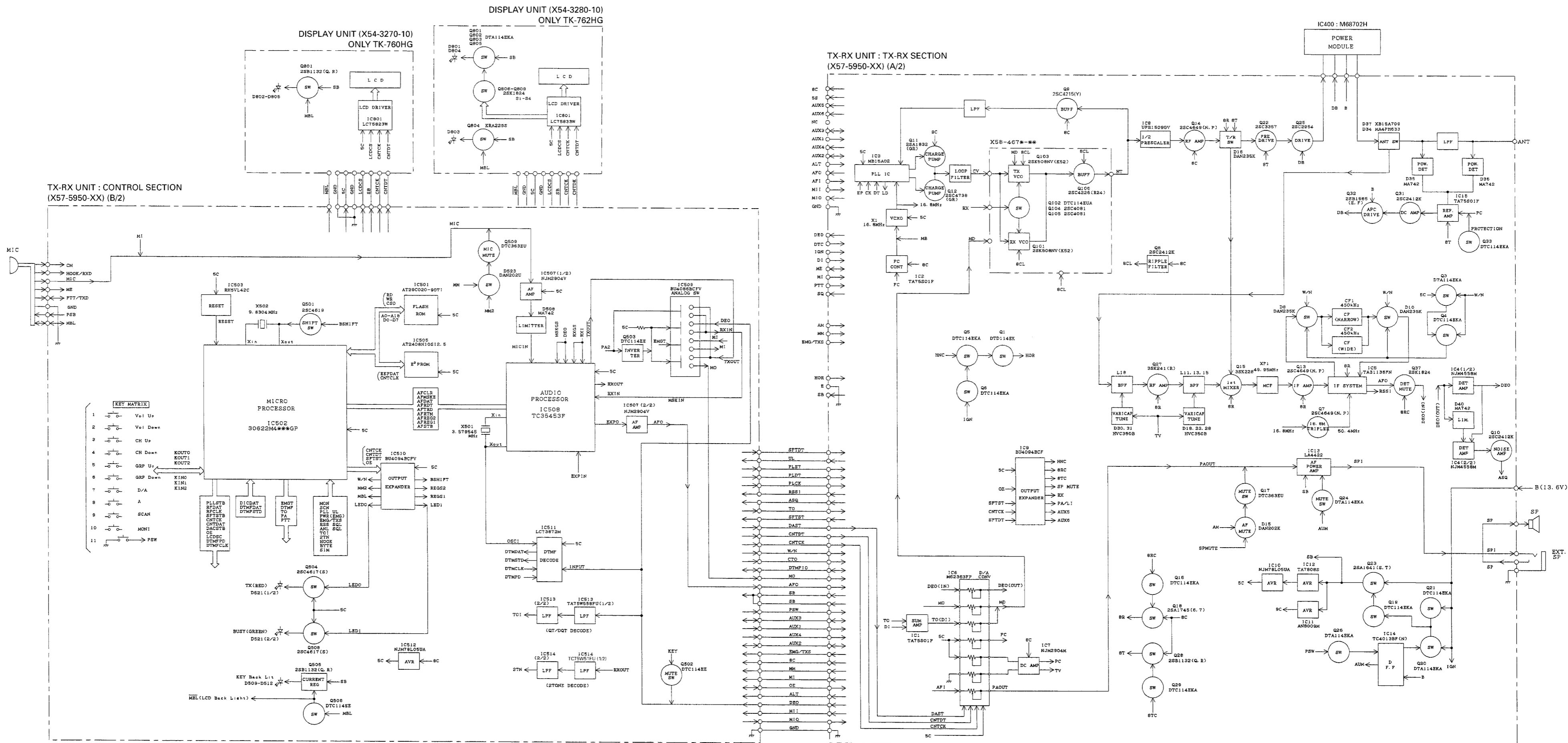


TK-762HG SCHEMATIC DIAGRAM

Note : Components marked with a dot (·) are parts of patternun 1.



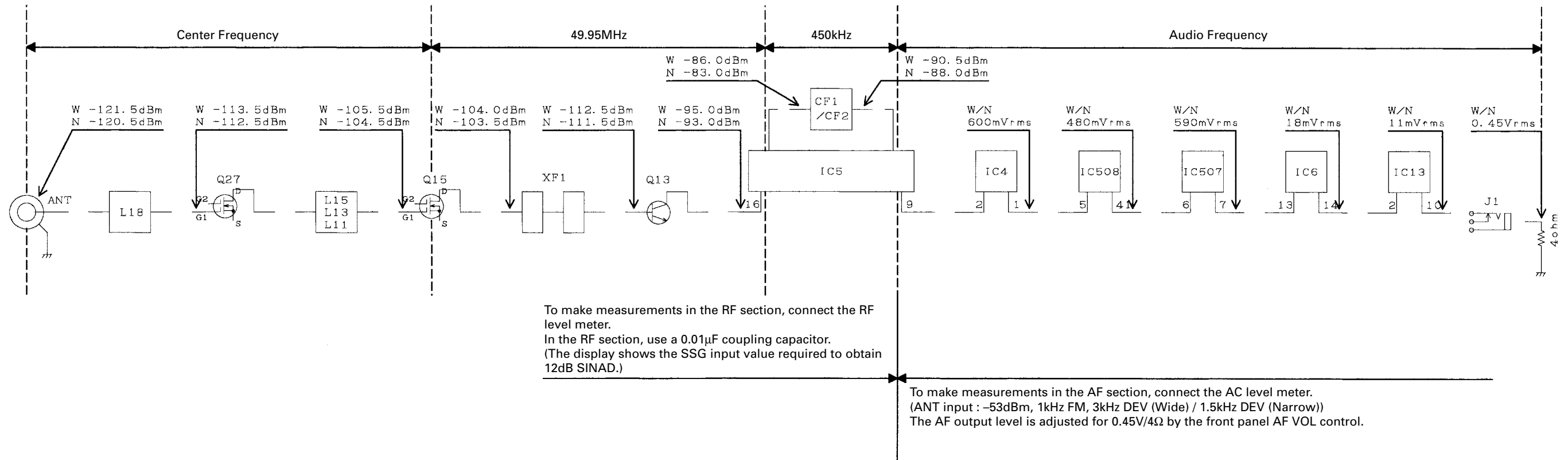
BLOCK DIAGRAM



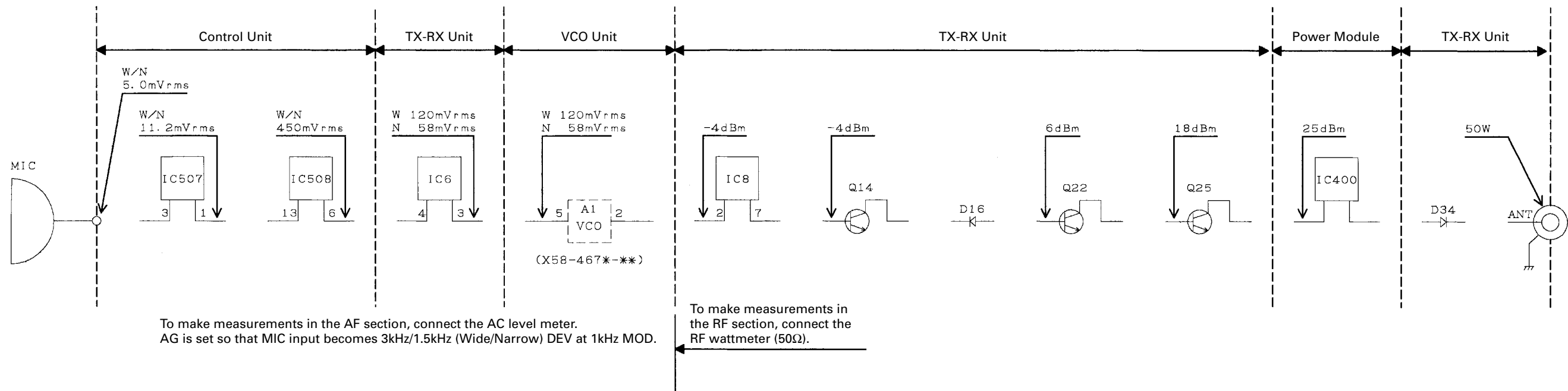
TK-760HG/762HG TK-760HG/762HG

LEVEL DIAGRAM

Receiver Section



Transmitter Section



TK-760HG/762HG

TERMINAL FUNCTION

CN1 (TX-RX Unit)

Pin No.	Name	Function
1	8C	DC 8V output.
2	5S	DC 5V output.
3	AUX5	SMRD : Reset output. *1
4	AUX6	5SC : 5S control (Cannot use). *1
5	NC	Non-connection
6	AUX3	SMCK : Clock pulse output. *1
		SQ : Squelch detect output. *2
7	AUX1	SMRO : Ack Req input. *1
		PTT : External PTT input. *2
8	AUX4	TXD : Serial control data output. *1
9	AUX2	RXD : Serial control data input. *1
		DTC : Data channel control/External hook input.
		CHDATA : Channel control serial data input.
10	ALT	Alert tone input.
11	AFO	Receiver audio signal output.
12	AFI	Receiver audio signal input.
13	MII	Transmit audio signal input.
14	MIO	Transmit audio signal output.
15	GND	Ground

CN2 (TX-RX Unit) ↔ CN501 (Control Unit)

Pin No.	Name	Function
1	SFTDT	Serial data for IC9 (Shift register).
2	UL	Lock detect.
3	PLST	Strobe signal for IC3 (PLL IC).
4	PLDT	Serial data for IC3 (PLL IC).
5	PLCK	Clock pulse for IC3 (PLL IC).
6	RSSI	Receive signal strength indicator.
7	ASQ	Analog squelch.
8	TO	Transmit sub-tone signal output.
9	SFTST	Strobe signal for IC9 (Shift register).
10	DAST	Strobe signal for IC6 (Shift register).
11	CNTDT	Control serial data for IC6.
12	CNTCK	Control clock pulse for IC6.
13	W/N	Change signal of wide or narrow.
14	CTO	Received sub-tone signal.
15	DTMFIO	DTMF signal.
16	MO	Modulation signal.
17	AFO	Receiver audio signal.
18	SB	Switched B.
19	SB	Switched B.
20	PSW	Power switch.
21	AUX3	Optional unit control signal.
22	AUX1	Optional unit control signal.
23	AUX4	Optional unit control signal.
24	AUX2	Optional unit control signal.
25	EMG/TXS	Foot switch input signal.
26	8C	DC 8V.
27	MM	MIC mute.
28	MI	External MIC input signal.
29	OE	Output enable.
30	ALT	Alert tone signal.
31	DEO	Receiver detector output.
32	MII	Transmit audio signal input.
33	MIO	Transmit audio signal output.
34	GND	Ground.

CN3 (TX-RX Unit)

Pin No.	Name	Function
1	HOR	Horn alert/call output.
2	E	Ground.
3	SB	Switched B+, DC 13.6V output, Maximum 1A.

CN4 (TX-RX Unit)

Pin No.	Name	Function
1	DEO	Receiver detector output. Level : 0.5Vrms (Atandard modulation)
2	DTC	Data channel control/External hook input.
3	IGN	Ignition sense input.
4	DI	Data modulation input.
5	ME	External microphone ground.
6	MI	EXternal microphone input.
7	PTT	External PTT input, active low.
8	SQ	Squelch detect output.

CN5 (TX-RX Unit)

Pin No.	Name	Function
1	AM	Speaker mute input, active high.
2	MM	MIC mute input, active high
3	EMG/TXS	EMG : Foot switch input, active low. *3

CN7 (TX-RX Unit)

Pin No.	Name	Function
1	PA/LI	Relay for PA function KAP-1 control. "H" : PA/LI on, "L" : PA/LI off
2	SPO	Audio signal output to KAP-1
3	SPI	Audio signal inpt from KAP-1

CN8 (TX-RX Unit)

Pin No.	Name	Function
1	SP	Audio signal output to internal/external speaker.
2	E	Ground

J501 (Control Unit)

Pin No.	Name	Function
1	MBL	MIC backlight control.
2	PSB	13.6V.
3	GND	Ground.
4	PTT/TXD	PTT.
5	ME	MIC ground.
6	MIC	MIC signal input.
7	HOOK/RXD	Hook detection
8	CM	MIC data detection.

CN101 (PLL/VCO) ↔ TX-RX Unit

Pin No.	Name	Function
1	CV	Control voltage input.
2	MD	Modulation input.
3	8CL	8V input.
4	E	Ground.
5	HT	Signal output.
6	RX (ST)	Switched transmit input. H : Transmit

*1 : SmarTrunk OMNI mode

*2 : MDT mode

*3 : Emergency mode

SPECIFICATIONS

GENERAL

Frequency Range	K : 148 to 174MHz	M : 146 to 174MHz
Number of Channels	TK-762HG : Maximum 8 channels	TK-760HG : Maximum 128 channels
Number of Groups	TK-760HG : Maximum 128 groups	
Channel Spacing	Wide : 25, 30kHz	Narrow : 12.5, 15kHz
PLL Channel Stepping	2.5, 3.75, 5, 6.25, 7.5kHz	
Operating Voltage	13.6V DC \pm 15%	
Current Drain	Less than 0.4A on standby Less than 1.0A on receive Less than 12.0A on transmit	
Operating Temperature Range	-30°C to +60°C (-22°F to +140°F)	
Dimensions & Weight	140 (5-33/64) W x 40 (1-37/64) H x 148 (5-53/64) D mm (inch), 1050g (2.31 lbs)	
Channel Frequency Spread	K : 26MHz	M : 28MHz

RECEIVER (Measurements made per EIA standard EIA/TIA-204-D)

Sensitivity (12dB SINAD)	Wide : 0.25 μ V	Narrow : 0.33 μ V
Selectivity	Wide : 85dB	Narrow : 75dB
Intermodulation	Wide : 75dB	Narrow : 65dB
Spurious Responce	90dB	
Audio Power Output	4.0W	
Frequency Stability	\pm 2.5ppm	

TRANSMITTER (Measurements made per EIA standard EIA-152-C)

RF Power Output	50W	
Spurious and Harmonics	70dB	
Modulation	Wide : 16K0F3E	Narrow : 11K0F3E
FM Noise	Wide : 50dB	Narrow : 45dB
Audio Distortion	Less than 3%	
Frequency Stability	\pm 2.5ppm	

TK-760HG/762HG

KENWOOD CORPORATION

14-6, Dogenzaka 1-chome, Shibuya-ku, Tokyo 150-8501, Japan

KENWOOD SERVICE CORPORATION

P.O. BOX 22745, 2201 East Dominguez Street, Long Beach, CA 90801-5745, U.S.A.

KENWOOD ELECTRONICS CANADA INC.

6070 Kestrel Road, Mississauga, Ontario, Canada L5T 1S8

KENWOOD ELECTRONICS DEUTSCHLAND GMBH

Rembrücker Str. 15, 63150 Heusenstamm, Germany

KENWOOD ELECTRONICS BELGIUM N.V.

Mechelsesteenweg 418 B-1930 Zaventem, Belgium

KENWOOD ELECTRONICS FRANCE S.A.

13, Boulevard Ney, 75018 Paris, France

KENWOOD ELECTRONICS U.K. LIMITED

KENWOOD House, Dwight Road, Watford, Herts., WD1 8EB United Kingdom

KENWOOD ELECTRONICS EUROPE B.V.

Amsterdamseweg 37, 1422 AC Uithoorn, The Netherlands

KENWOOD ELECTRONICS ITALIA S.p.A.

Via G. Sirtori, 7/9 20129 Milano, Italy

KENWOOD IBERICA S.A.

Bolivia, 239-08020 Barcelona, Spain

KENWOOD ELECTRONICS AUSTRALIA PTY. LTD.

(A.C.N. 001 499 074)

16 Giffnock Avenue, North Ryde, N.S.W. 2113 Australia

KENWOOD ELECTRONICS (HONG KONG) LTD.

Unit 3712-3724, Level 37, Tower one Metroplaza, 223 Hing Fong Road, Kwai Fong, N.T., Hong Kong

KENWOOD ELECTRONICS TECHNOLOGIES(S) PTE LTD.

Sales Marketing Division

1 Ang Mo Kio Street 63, Singapore 569110