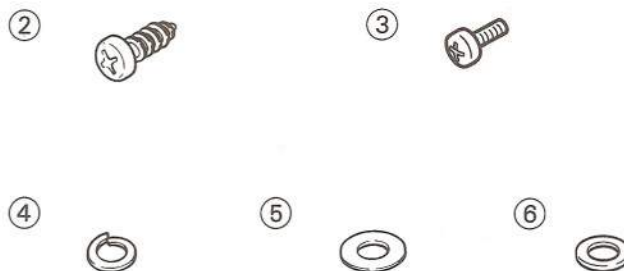
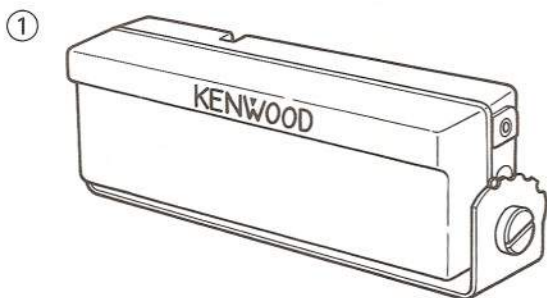


■ INSTALLATION AND CONNECTION

The following instructions are for use by your KENWOOD dealer; either an authorized KENWOOD service facility, or the factory only.

■ ACCESSORY

① Remote kit assy		1 ea.
Panel	A62-0032-02	1 ea.
Case	A01-2012-02	1 ea.
Board	F15-0669-04	1 ea.
Packing	G53-0595-03	1 ea.
Bracket for panel	J21-4315-04	2 ea.
Bracket	J29-0455-03	1 ea.
Trimmed screw	N08-0514-14	2 ea.
Machine screw	N35-4008-45	2 ea.
Tapping screw	N87-3008-46	4 ea.
Flat washer	N19-0648-05	2 ea.
② Tapping screw	N09-0335-05	4 ea.
③ Machine screw	N89-3008-45	4 ea.
④ Spring washer	N16-0050-46	4 ea.
⑤ Flat washer	N15-1050-46	4 ea.
⑥ Flat washer	N15-1030-45	4 ea.
Instruction manual	B62-0029-XX	1 sheet



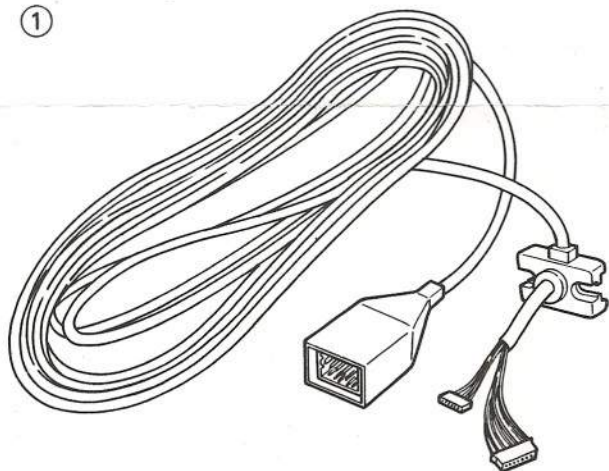
■ INSTALLATION AND CONNECTION

The following instructions are for use by your KENWOOD dealer; either an authorized KENWOOD service facility, or the factory only.

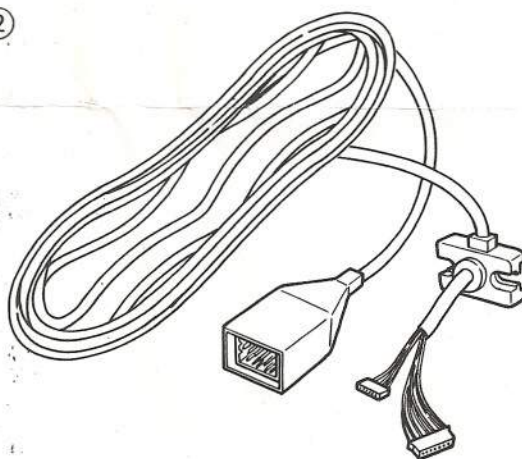
■ ACCESSORY

① Control cable (6 m) (KCT-10A only)	E30-3017-08.....	1 ea.
② Control cable (4 m) (KCT-10B only)	E30-3018-08.....	1 ea.
③ Cable with connector.....	E30-3019-08.....	1 ea.
④ Cable with connector.....	E30-3020-08.....	1 ea.
⑤ Cable with connector.....	E37-0025-08.....	1 ea.
⑥ Cable strap		1 ea.
⑦ Cable strap		2 ea.
Instruction manual	B62-0027-XX.....	1 sheet

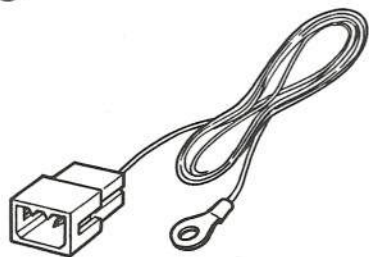
①



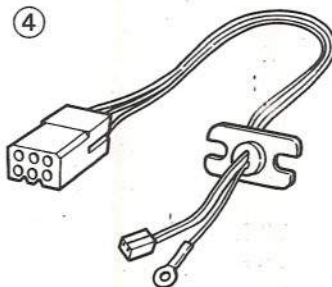
②



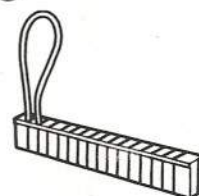
③



④



⑤

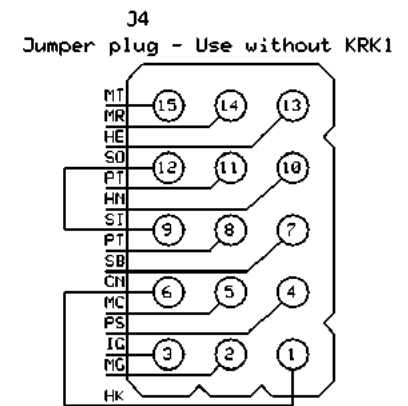
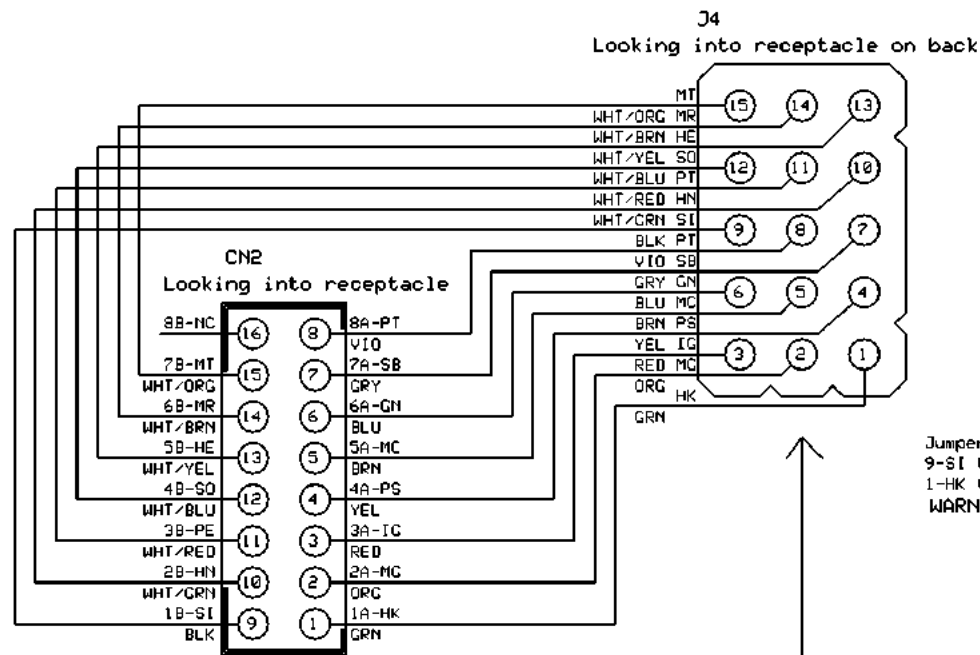


⑥

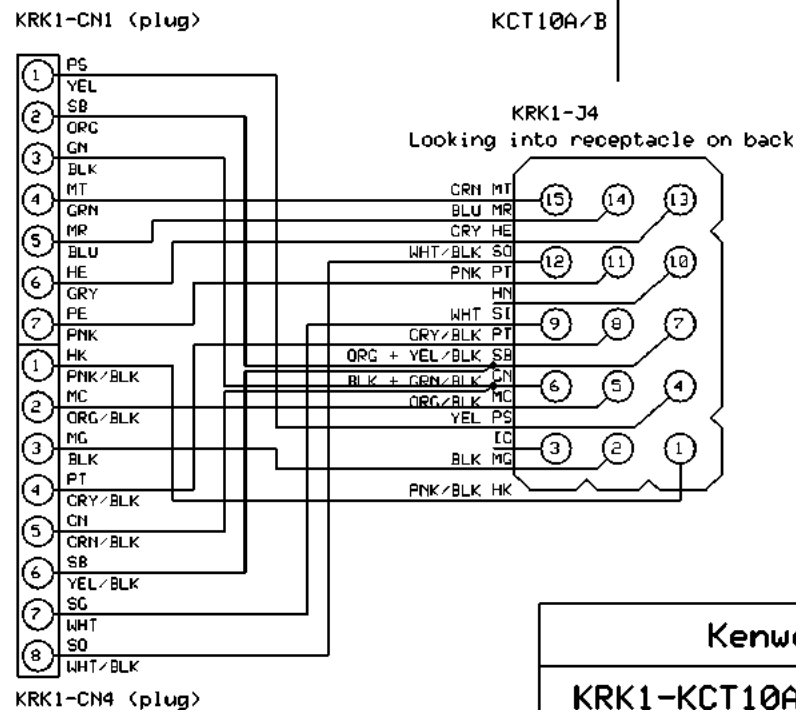
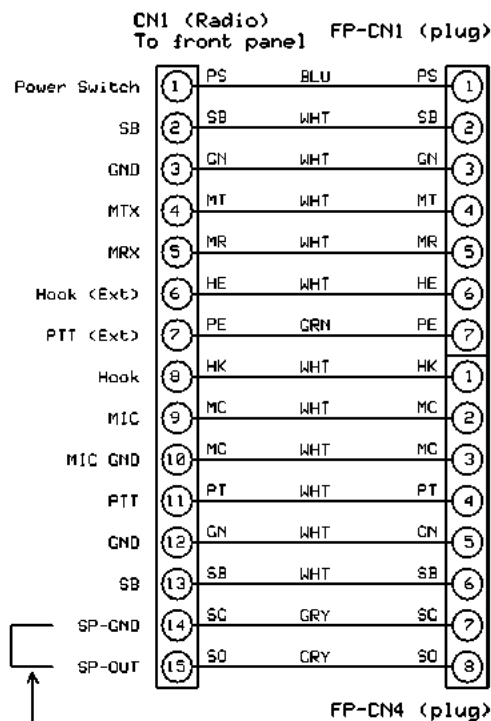


⑦





Jumper plug:
 9-SI to 12-SO enables front panel speaker.
 1-HK to 6-GN enables off-hook decode and scanning.
WARNING: REMOVE JUMPER PLUG TO PROGRAM



When using KRK1, jumper CN1-14 to -15 in radio to enable panel speaker.

Kenwood TK-931(HD)		
KRK1-KCT10A/B Remote Kit wiring		
Brad Andrews KB9BPF	Rev 1.0 7/2/2017	Page 1 of 1