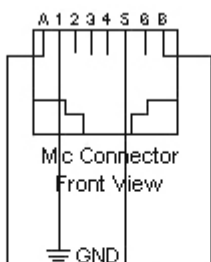


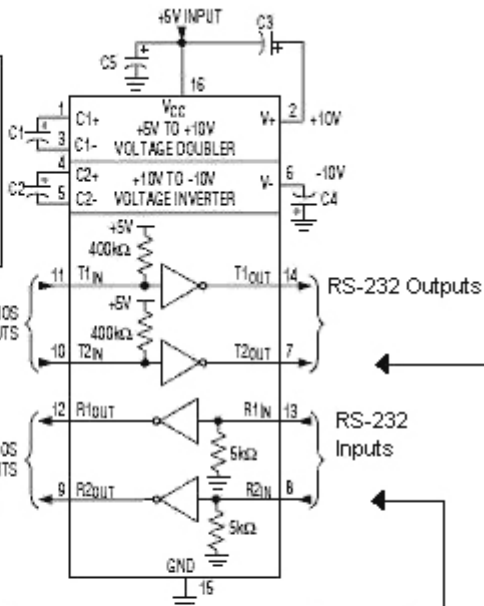
DIP/SO

CAPACITANCE (μF)					
DEVICE	C1	C2	C3	C4	C5
MAX220	0.047	0.33	0.33	0.33	0.33
MAX232	1.0	1.0	1.0	1.0	1.0
MAX232A	0.1	0.1	0.1	0.1	0.1

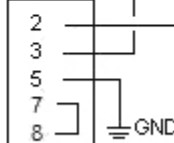


Mic Connector
Front View

TTL/CMOS
INPUTS
TxD
TTL/CMOS
OUTPUTS
RxD



DB9 to
computer
COM port



13.8v output -
optionally connect to
a 5v reg to power
MAX232

Note: EFJ mic jack pin numbers are different than std RJ45 pins -
A,1,2,3,4,5,6,B equal 1,2,3,4,5,6,7,8 in std RJ45 numbering.

EF Johnson Two-way radio
programming interface using
MAX232 chip. Drawings adapted
by Kyle Yoksh, K0KN 03-09-05