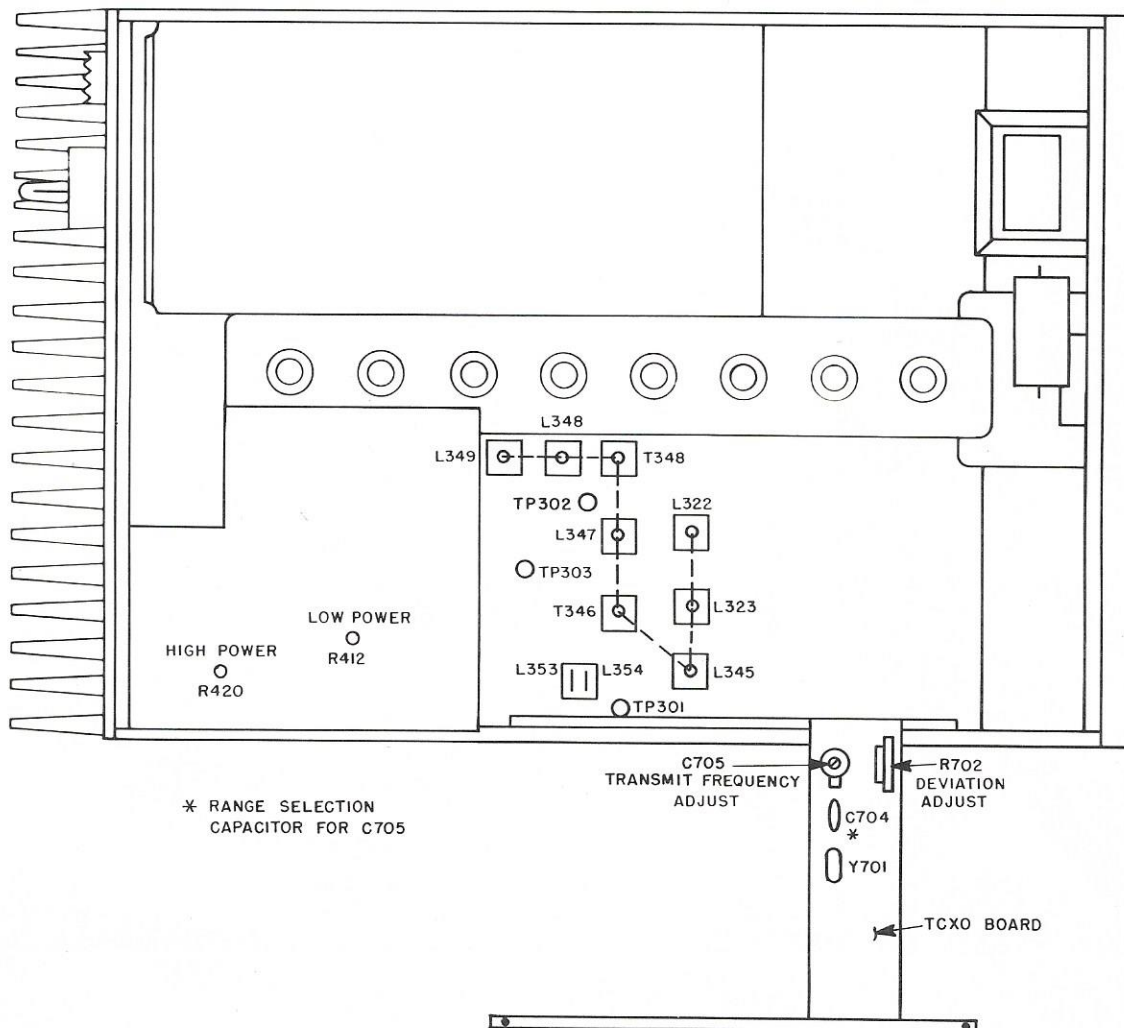
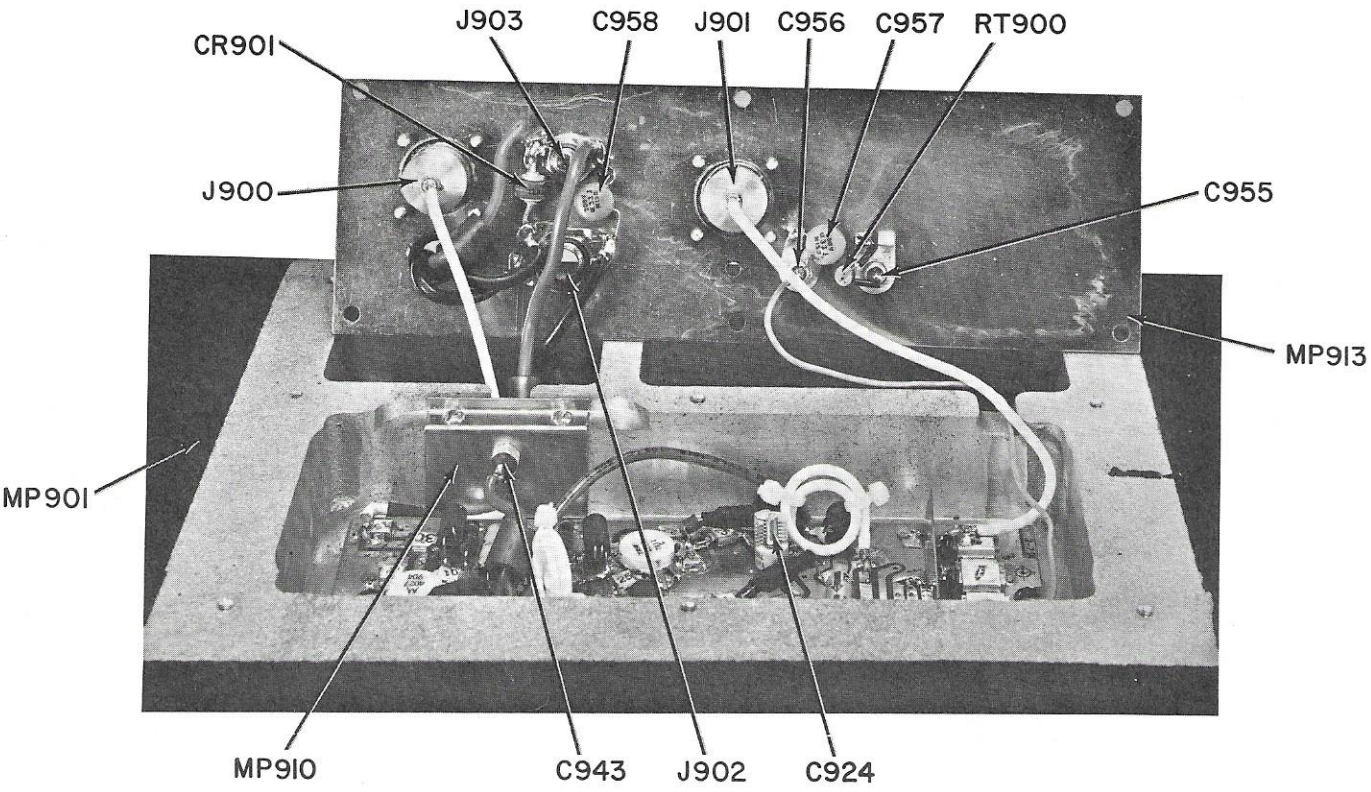


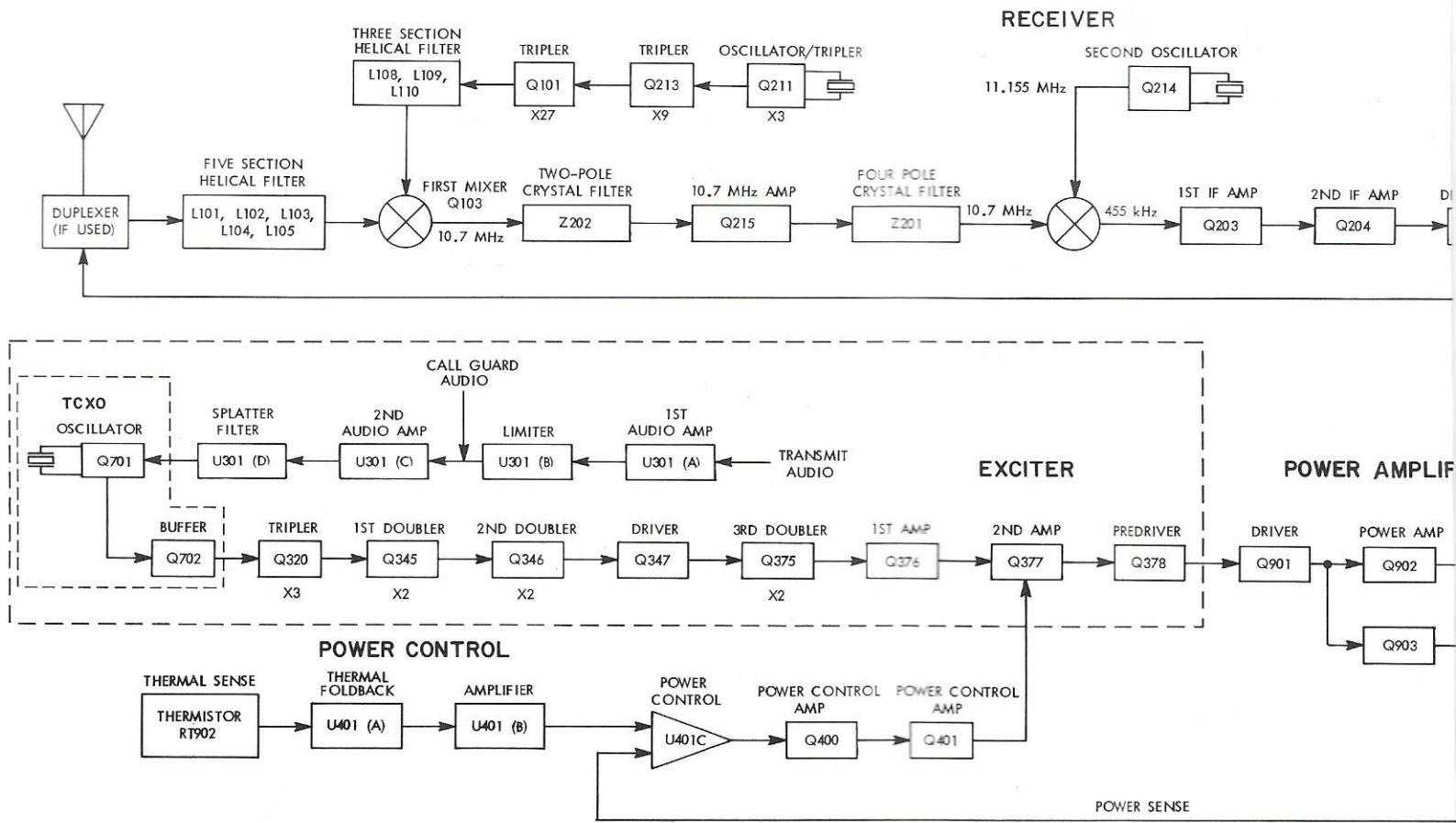
RECEIVER ALIGNMENT POINTS DIAGRAM



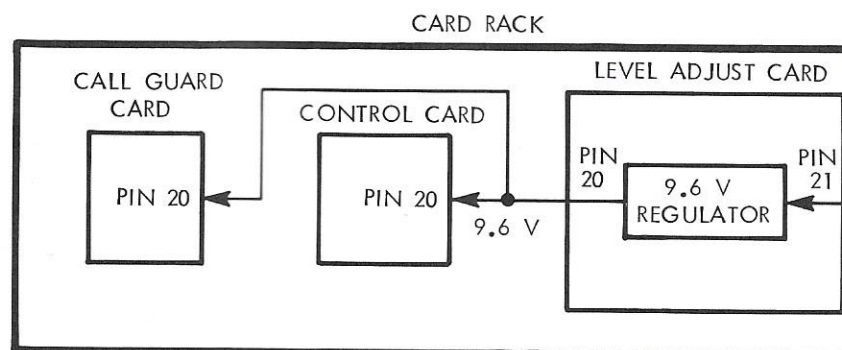
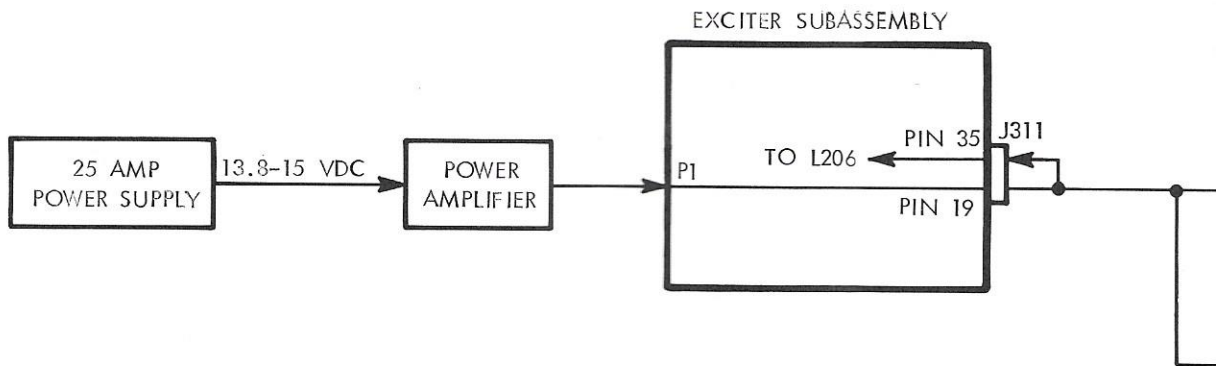
EXCITER ALIGNMENT POINTS DIAGRAM



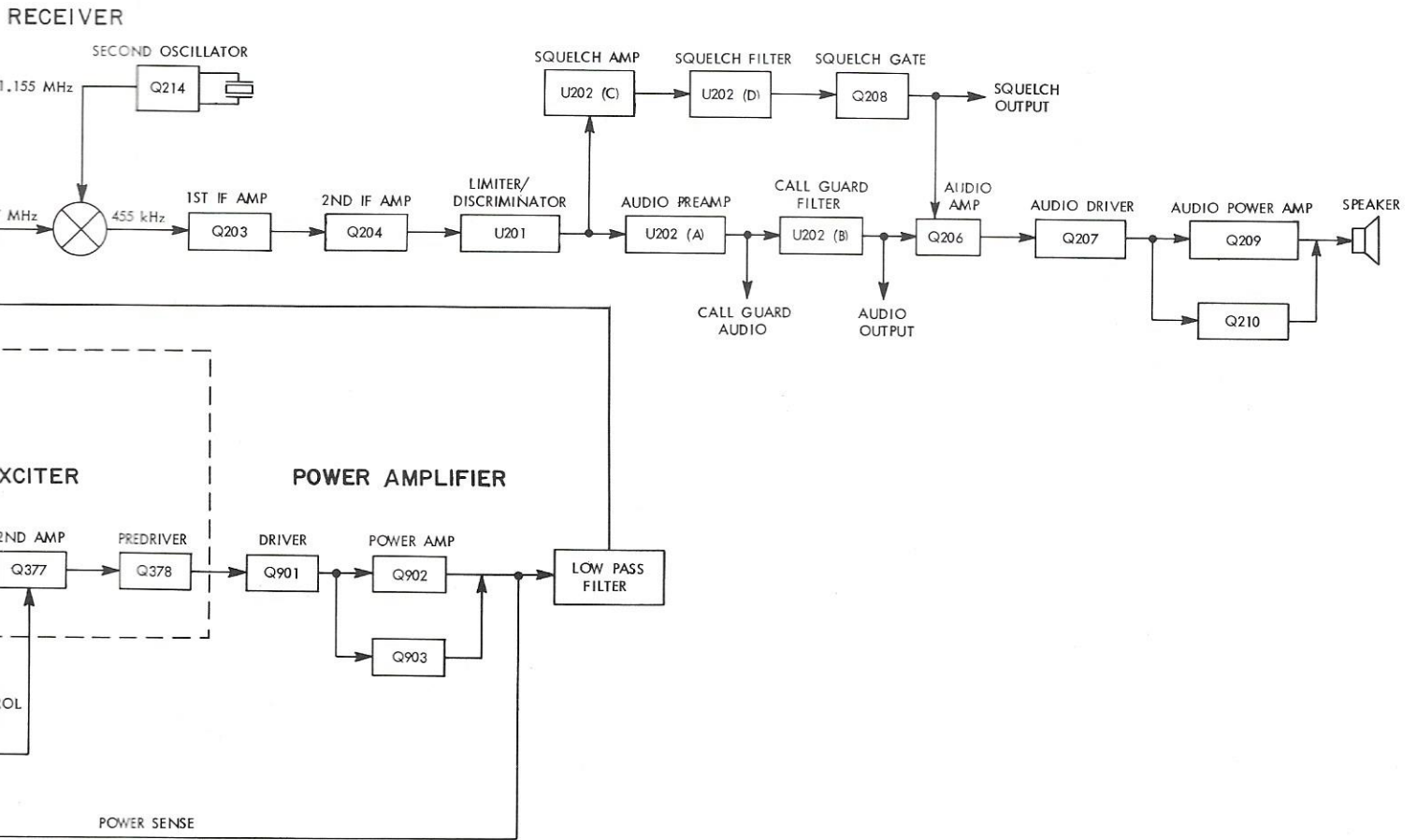
POWER AMPLIFIER COMPONENT LAYOUT



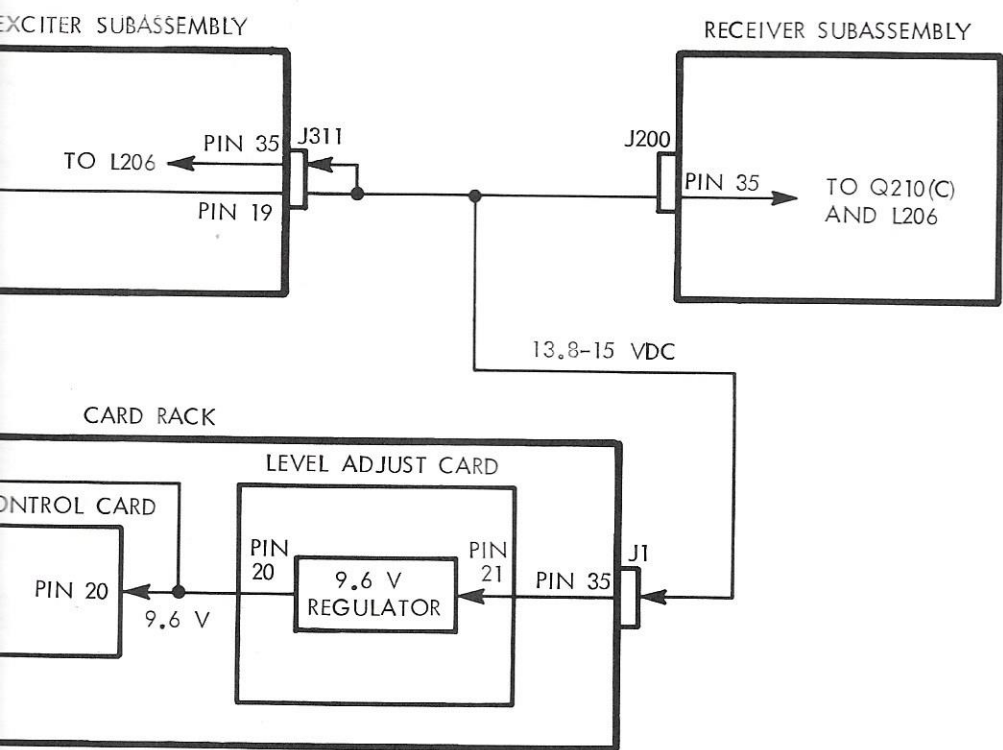
RECEIVER AND TRANSMITTER BLOCK DIAGRAM



DC SUPPLY BLOCK DIAGRAM



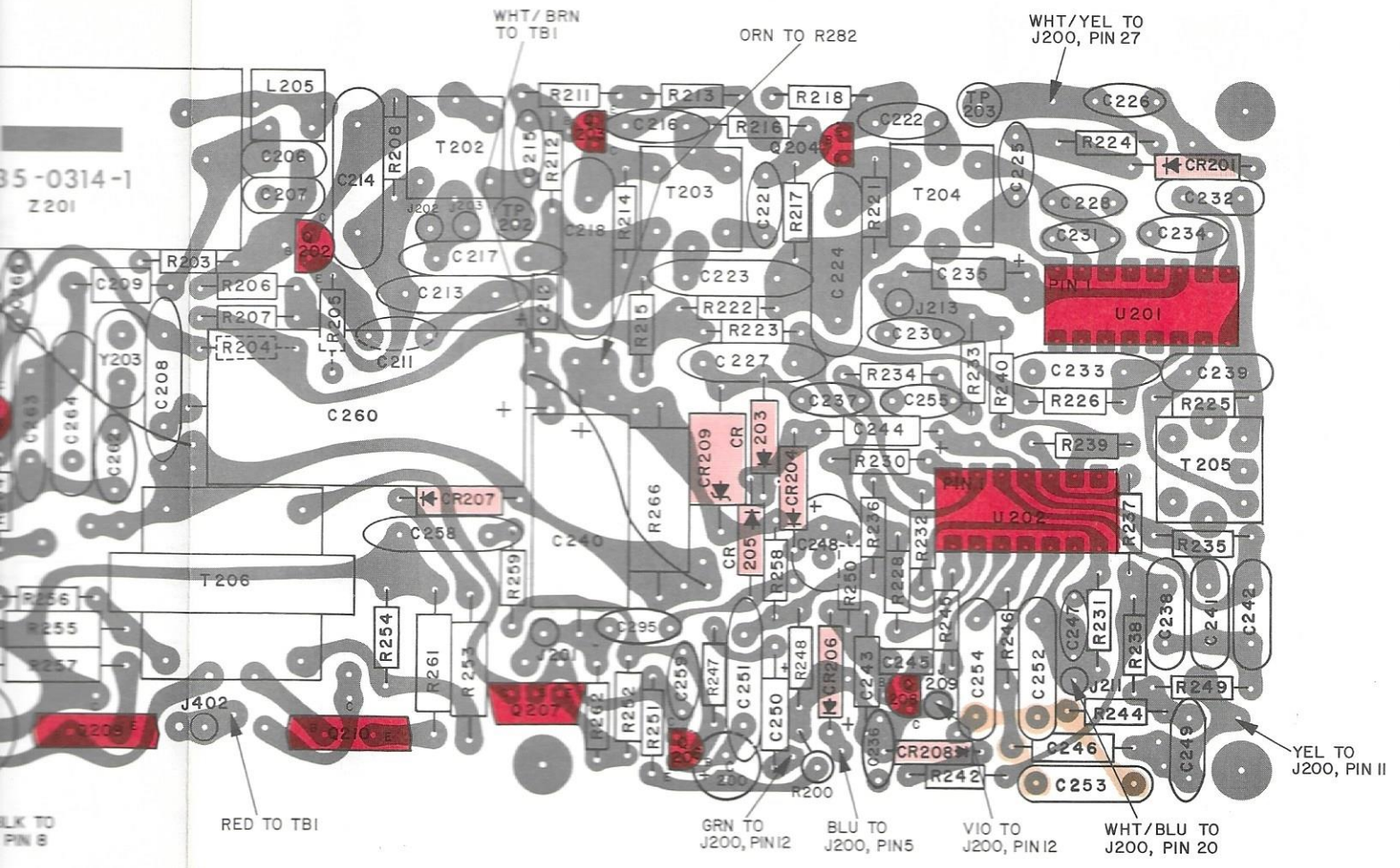
RECEIVER AND TRANSMITTER BLOCK DIAGRAM



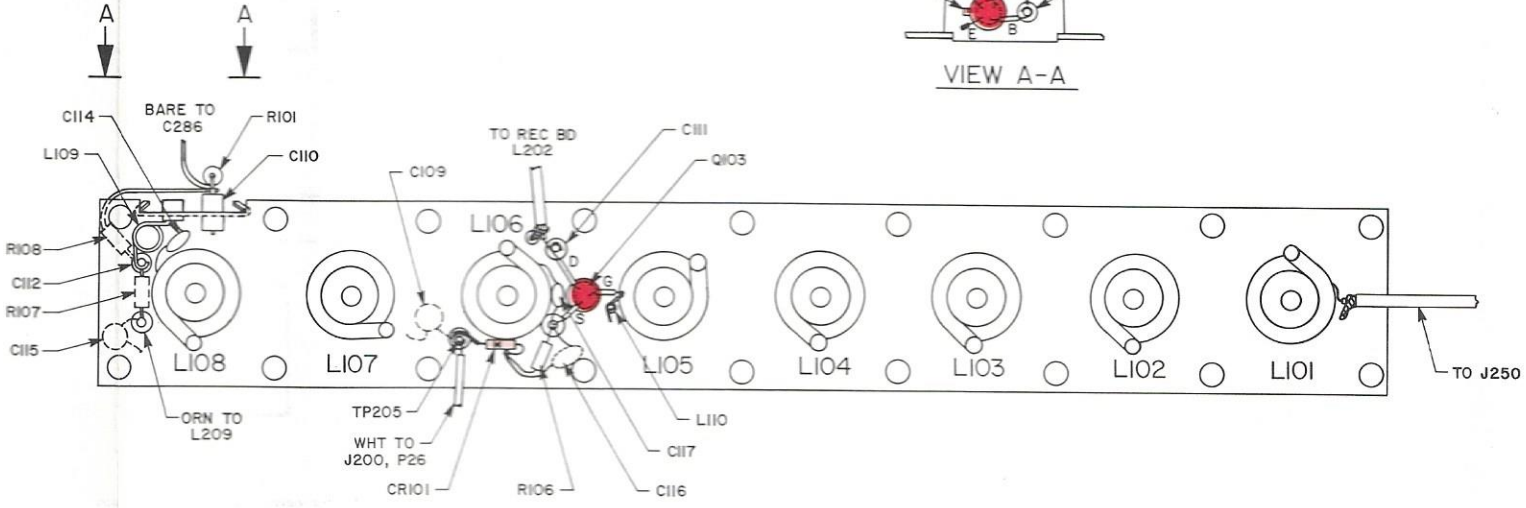
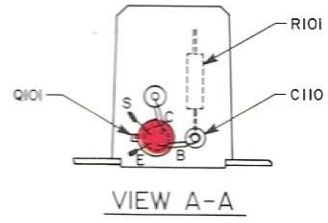
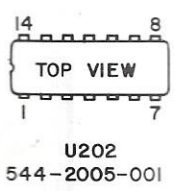
DC SUPPLY BLOCK DIAGRAM





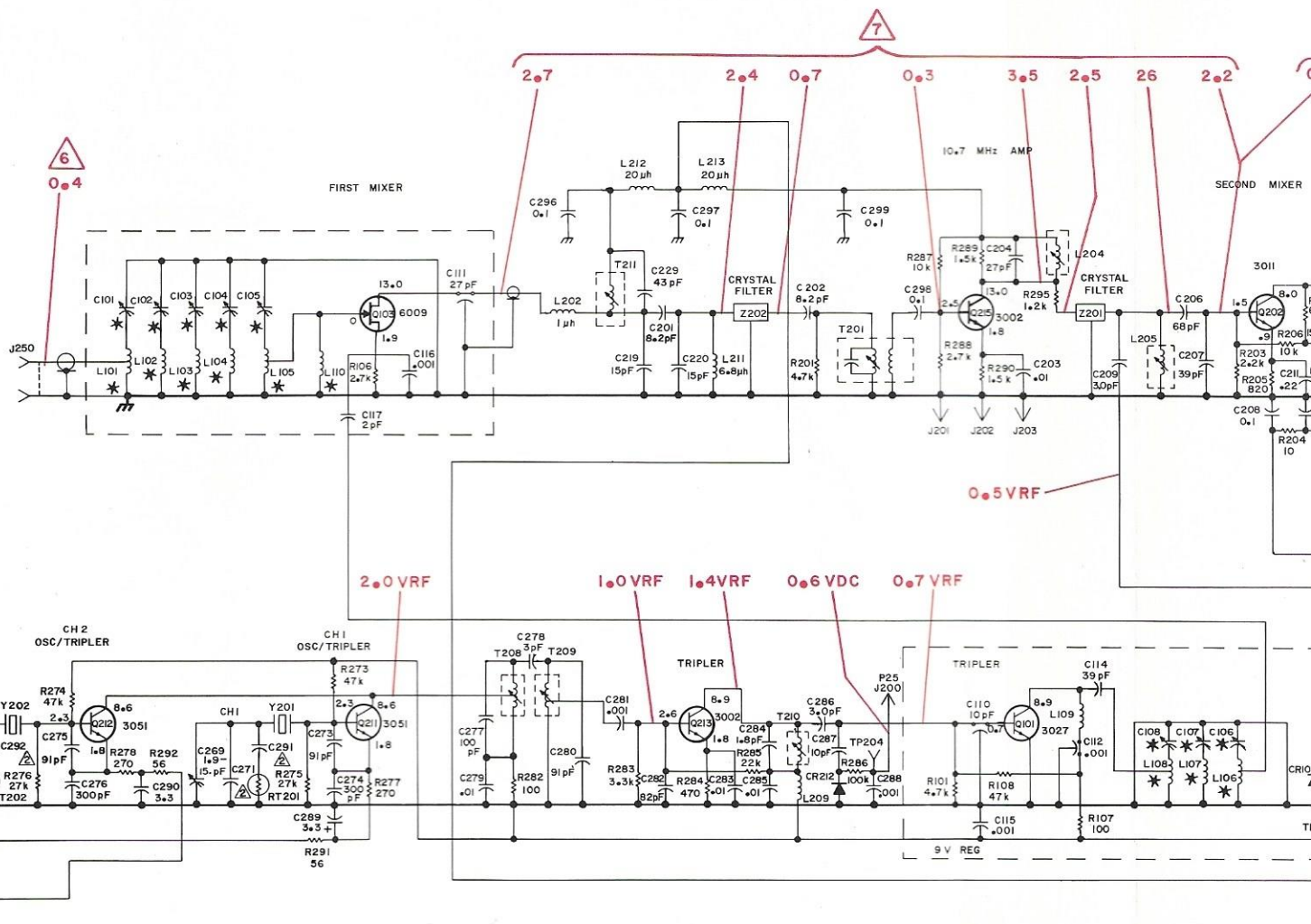


RECEIVER BOARD COMPONENT LAYOUT  
(SOLDER SIDE VIEW)



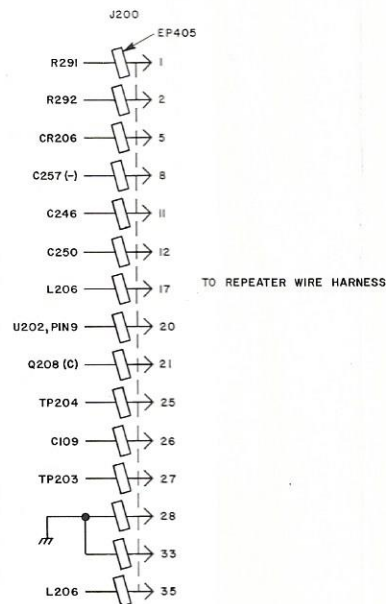
UHF FRONT END STRIP COMPONENT LAYOUT  
(OPPOSITE COMPONENT SIDE VIEW)

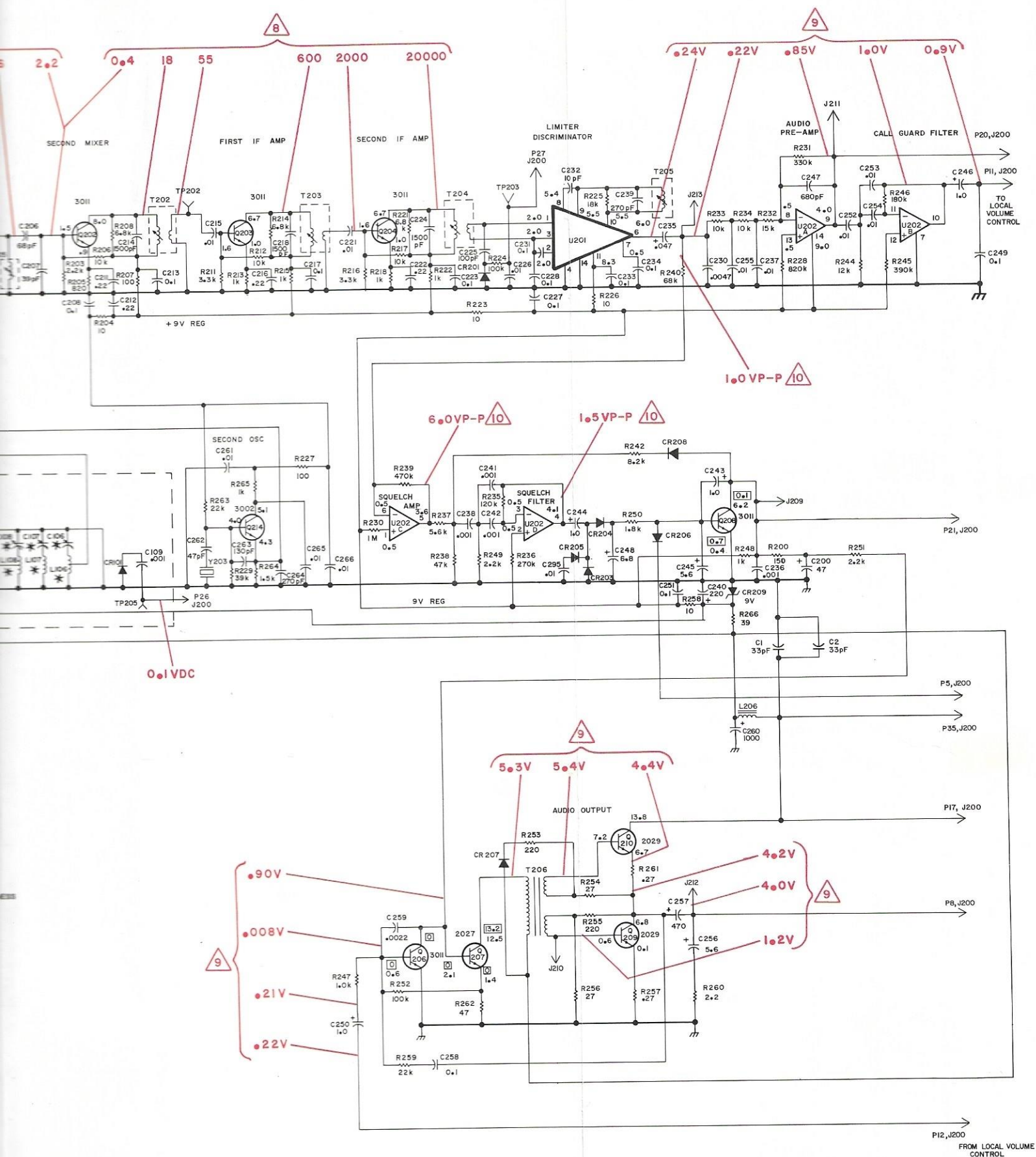




NOTES:

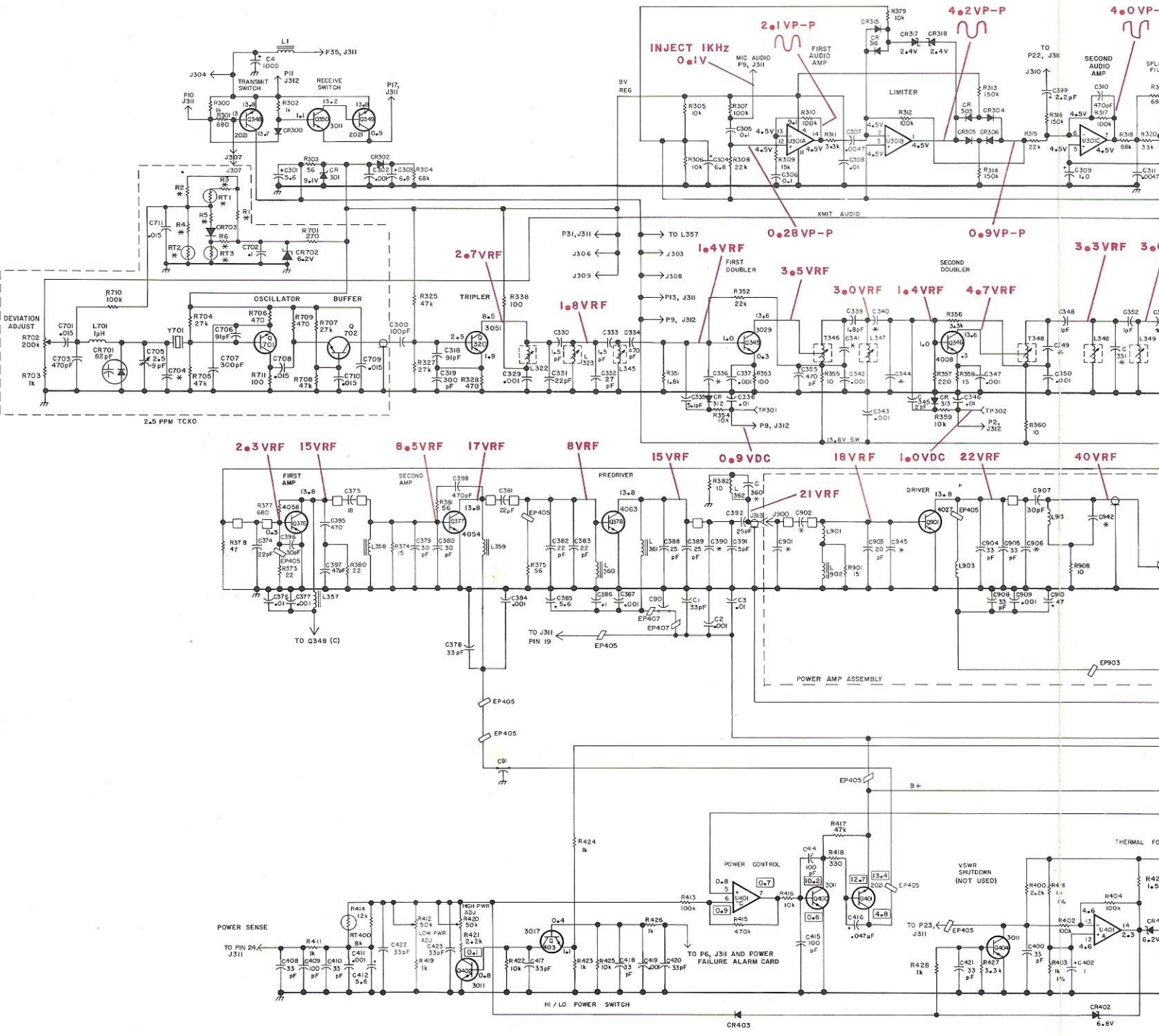
1. UNLESS OTHERWISE SPECIFIED, ALL RESISTORS ARE IN OHMS AND ALL CAPACITORS ARE IN MICROFARADS.
2.  $\Delta$  FACTORY SELECTED VALUE.
3.  $\square$  INDICATES SQUELCHED READING.
4. DC VOLTAGES MEASURED WITH CRYSTAL REMOVED.
5. \* VALUE DETERMINED BY FREQUENCY RANGE.
6. UNMODULATED INPUT LEVEL IN  $\mu$ V WHICH PRODUCES 20 dB AUDIO QUIETING.
7. 10.7 MHz UNMODULATED SIGNAL LEVEL IN  $\mu$ V, INJECTED THROUGH A 0.01  $\mu$ F CAPACITOR, WHICH PRODUCES 20 dB AUDIO QUIETING.
8. SAME AS  $\Delta$  EXCEPT 455 kHz INJECTION SIGNAL.
9. AUDIO VOLTAGES PRODUCED BY 0.5  $\mu$ V INPUT SIGNAL AT ANTENNA JACK (MODULATED WITH 1 kHz AT  $\pm$  5 kHz DEVIATION). AUDIO OUTPUT LEVEL SET FOR 5 WATTS INTO A 3 OHM LOAD.
10. NOISE VOLTAGES MEASURED WITH NO SIGNAL INPUT.





RECEIVER SCHEMATIC DIAGRAM  
 (FOR UNITS WITH "B" OR LATER REVISION LETTER ON SERIAL NUMBER STICKER)

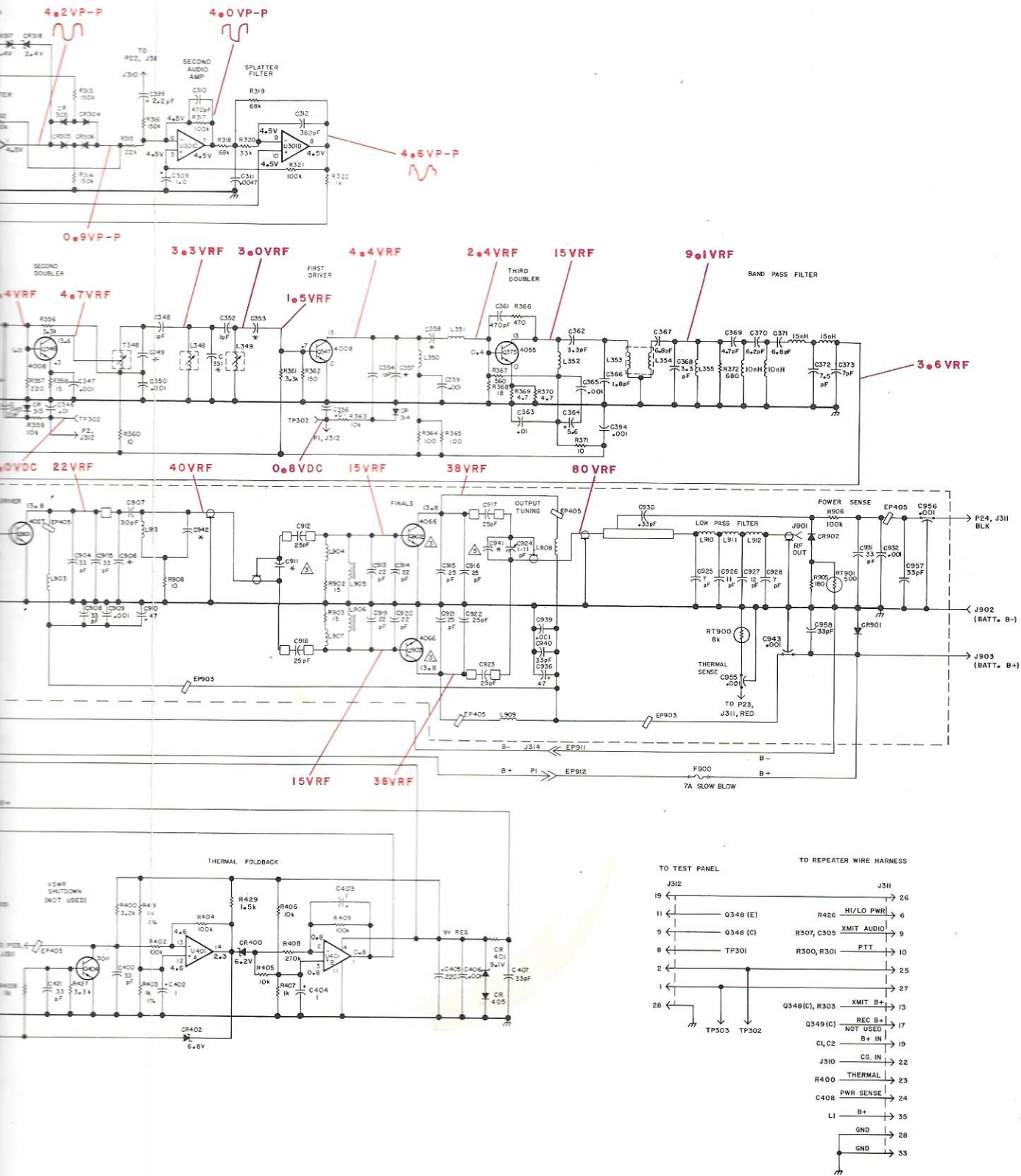




- NOTES:
- ALL RESISTORS ARE IN OHMS AND CAPACITORS ARE IN MICROFARADS UNLESS OTHERWISE SPECIFIED.
  - \* DENOTES FREQUENCY RANGE COMPONENTS OR FACTORY SELECTED VALUE.
  - THE VALUE OF C911 AND C941 IS DETERMINED BY FREQUENCY RANGE AND Q902, Q903 VENDOR. REFER TO TABLE I FOR THE CORRECT VALUES.
  - DC VOLTAGES MEASURED WITH TCXO DISABLED AND TRANSMITTER KEYS. [X.X] VOLTAGES MEASURED WITH 75 WATTS RF OUTPUT FROM PA.

TABLE I  
C911 AND C941 VALUES

Q902, Q903 VENDOR	FREQ. RANGE (MHz)	C911 VALUE	C941 VALUE
MOTOROLA	450-470	9 pF	NOT USED
	470-488	7 pF	NOT USED
	488-512	5 pF	NOT USED
IRV	450-470	7 pF	5 pF
	470-512	5 pF	NOT USED



TRANSMITTER SCHEMATIC DIAGRAM  
 (FOR UNITS WITH "B" OR LATER REVISION LETTER ON SERIAL NUMBER STICKER)