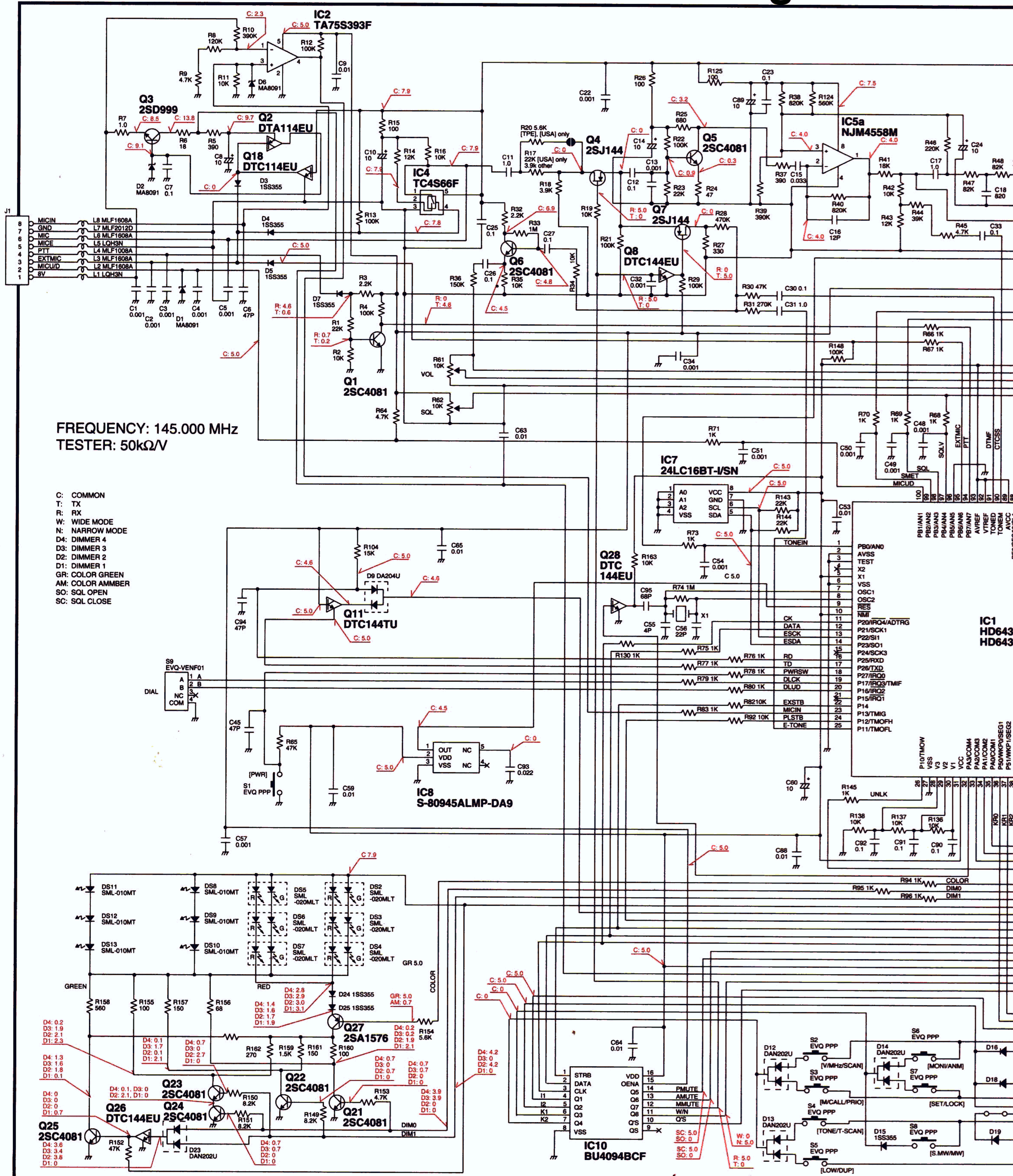
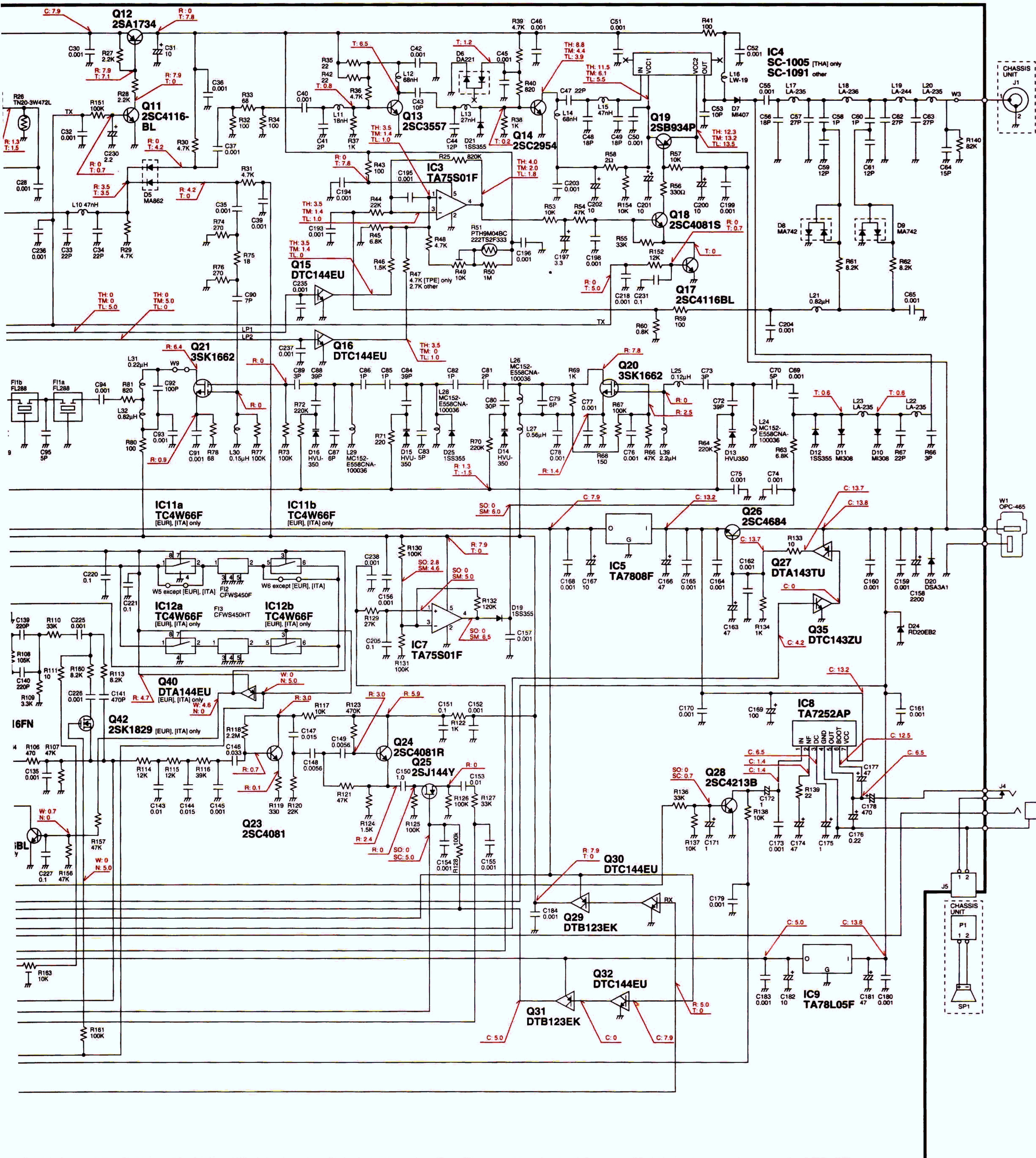


Control Panel Left Page

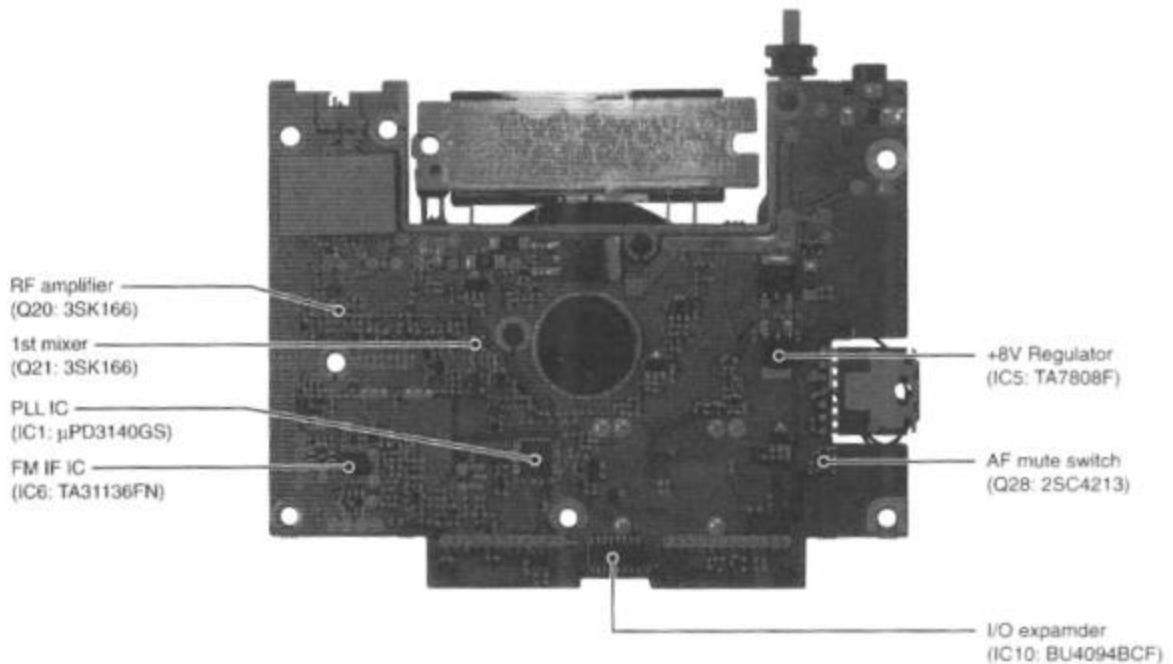
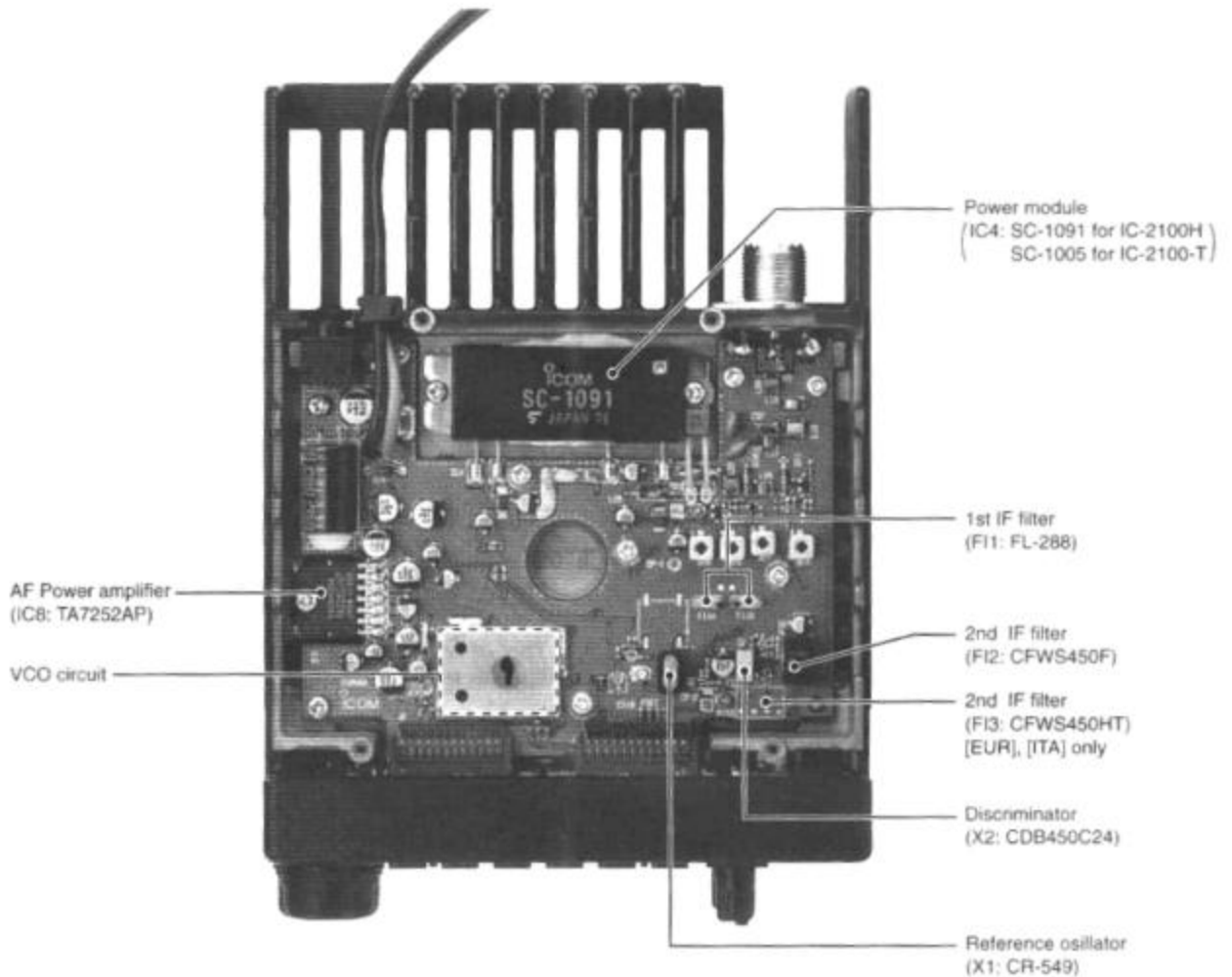


Main diagram right



SECTION 2 INSIDE VIEWS

• MAIN UNIT



DC power supply
13.8 V / 20 A

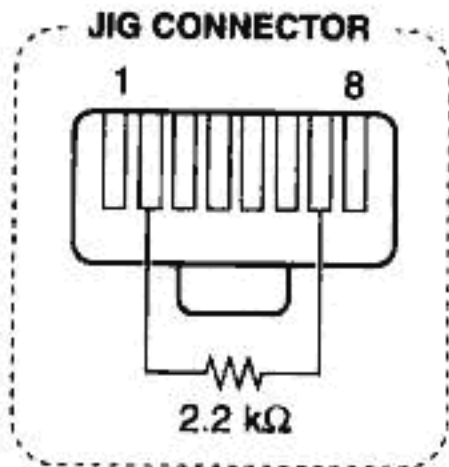
R49
Output power
adjustment

R86
Deviation
adjustment

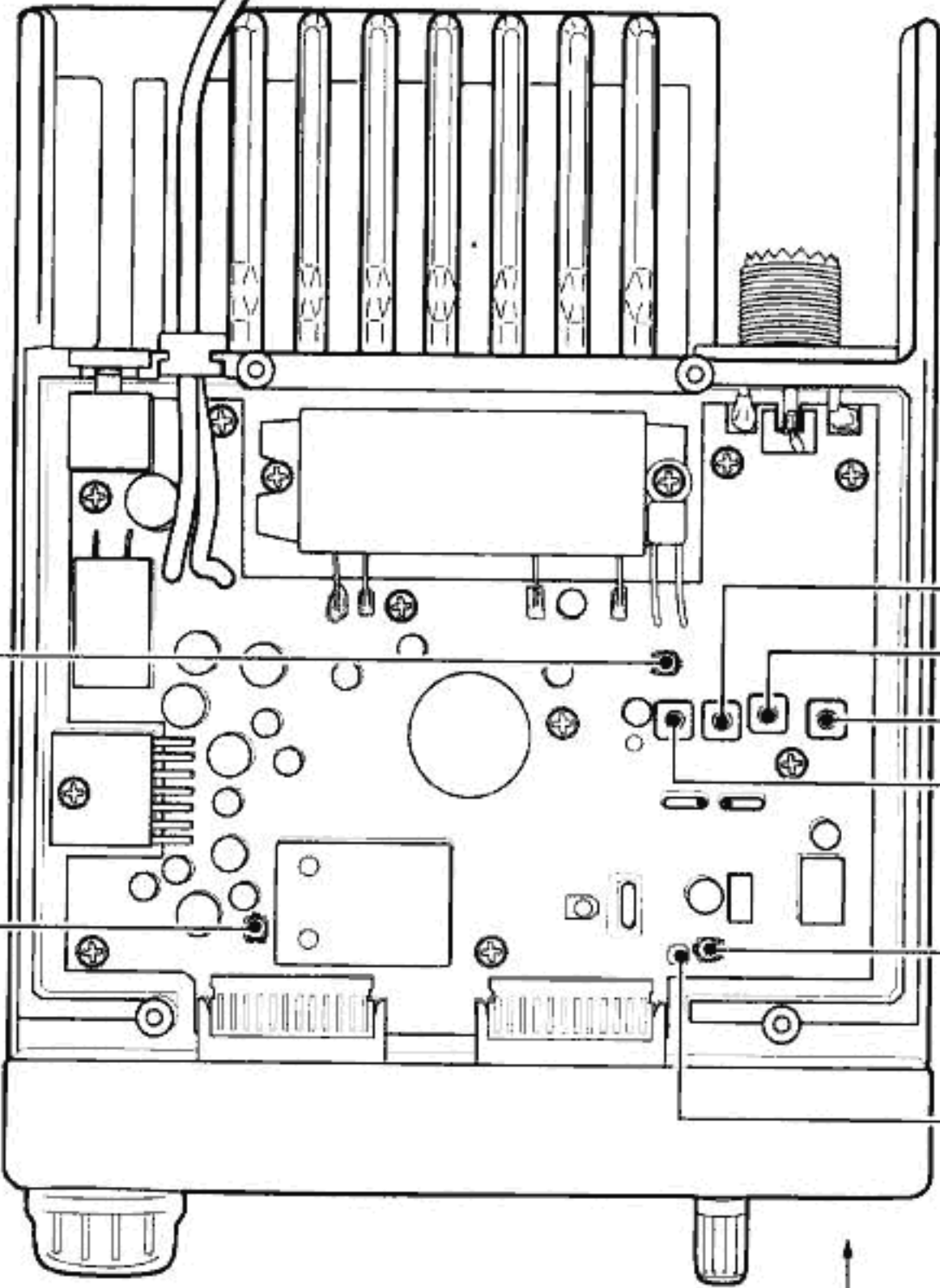
L24
L26
L28
L29 }
Sensitivity
adjustment

R163
Squelch
adjustment

CP2
Sensitivity
check point



to microphone connector



4-2 PLL ADJUSTMENTS

ADJUSTMENT	ADJUSTMENT CONDITION	MEASUREMENT		VALUE	ADJUSTMENT POINT	
		UNIT	LOCATION		UNIT	ADJUST
PLL LOCK VOLTAGE	1 • Displayed frequency : 145.000 MHz • Receiving	MAIN	Connect a digital multi-meter or oscilloscope to the check point CP1.	1.25–1.30 V	MAIN	L35
	2 • Transmitting					L2
PLL REFERENCE FREQUENCY	1 • Displayed frequency : 145.000 MHz [EUR, TPE, THA] 146.000 MHz [ITA, USA, SEA, LA] • Output power : Low • Transmitting	Rear Panel	Loosely couple the frequency counter to the antenna connector.	145.00000 MHz [EUR, TPE, THA] 146.00000 MHz [ITA, USA, SEA, LA]	MAIN	C119

