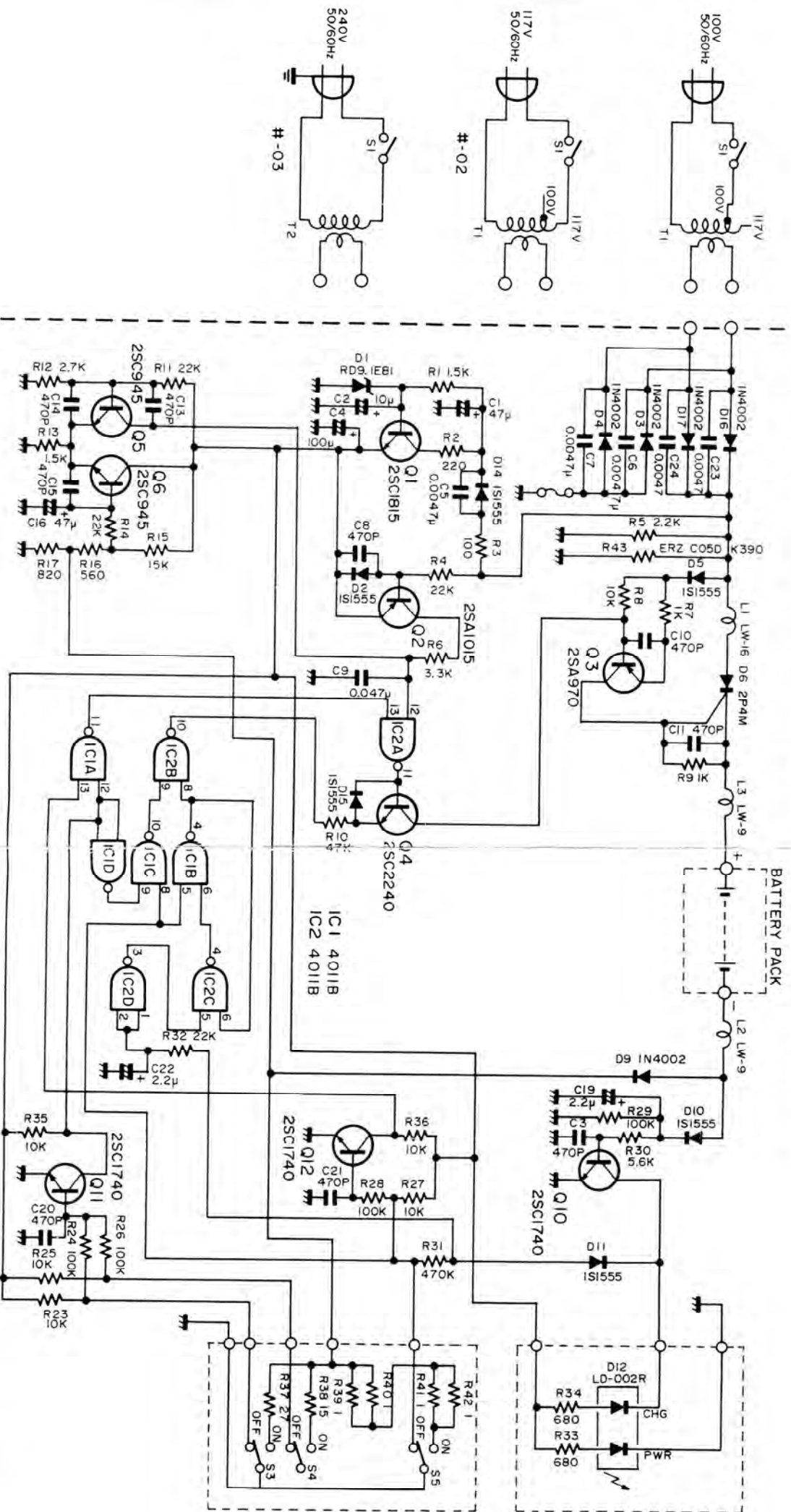


ICOM

BC-35

SCHEMATIC DIAGRAM



A-1041-N

Icom Inc.