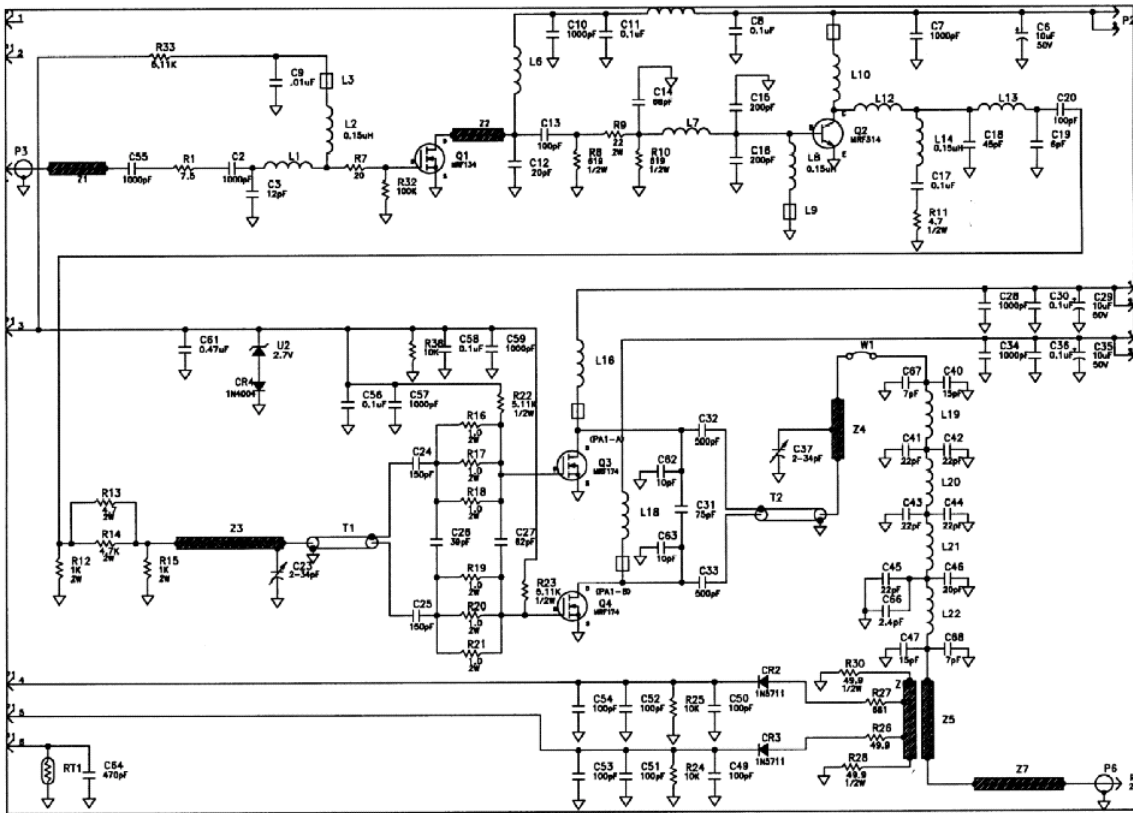




## EXHIBIT 6

Schematic Diagrams

GL-T8311 Final Power Amplifier

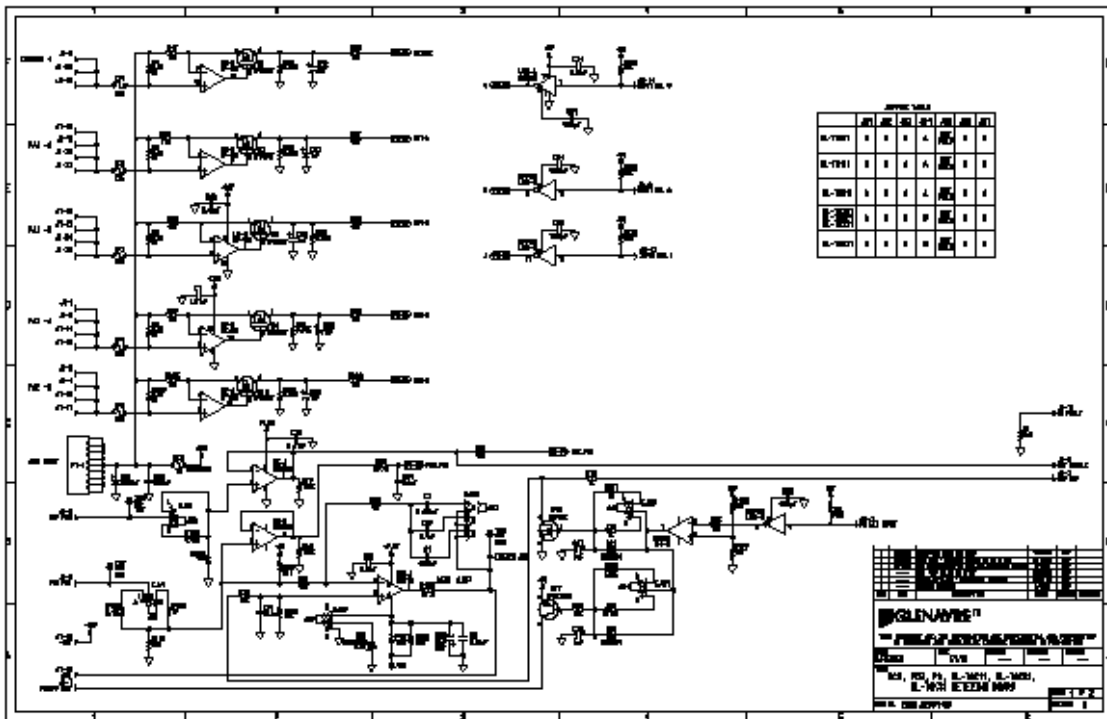




# EXHIBIT 6

Schematic Diagrams

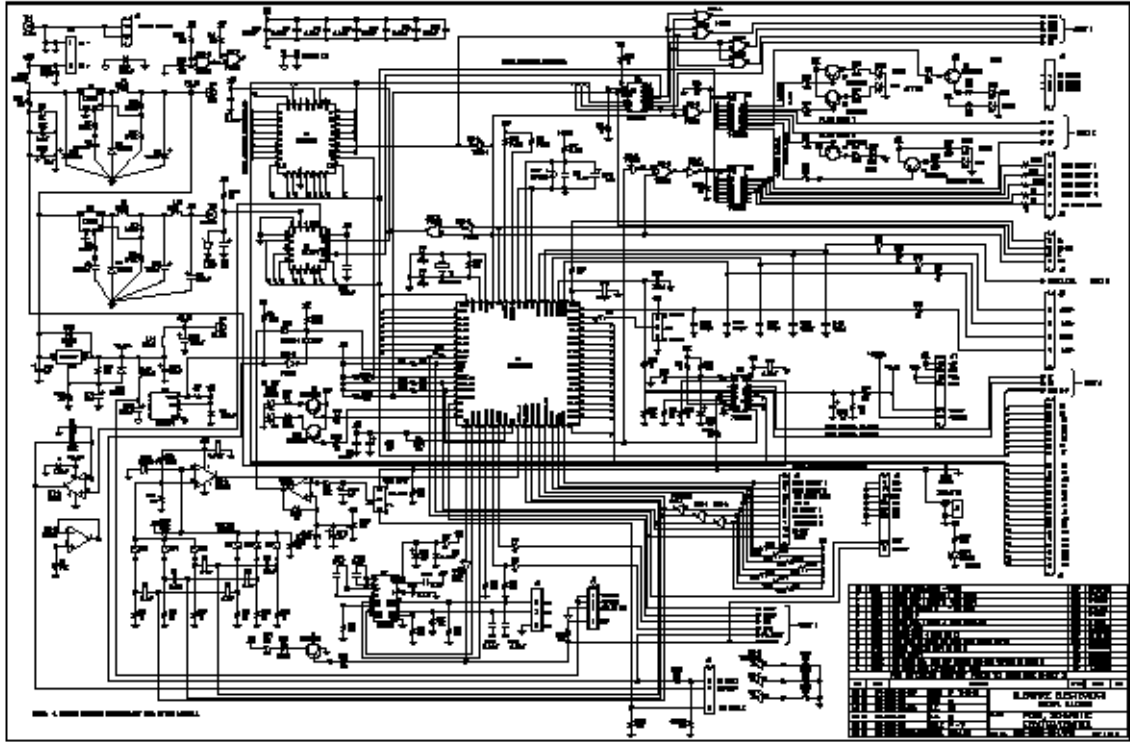
GL-T8311 Metering Board



# EXHIBIT 6

Schematic Diagrams

GL-T8311 Exciter Control Board Page 1

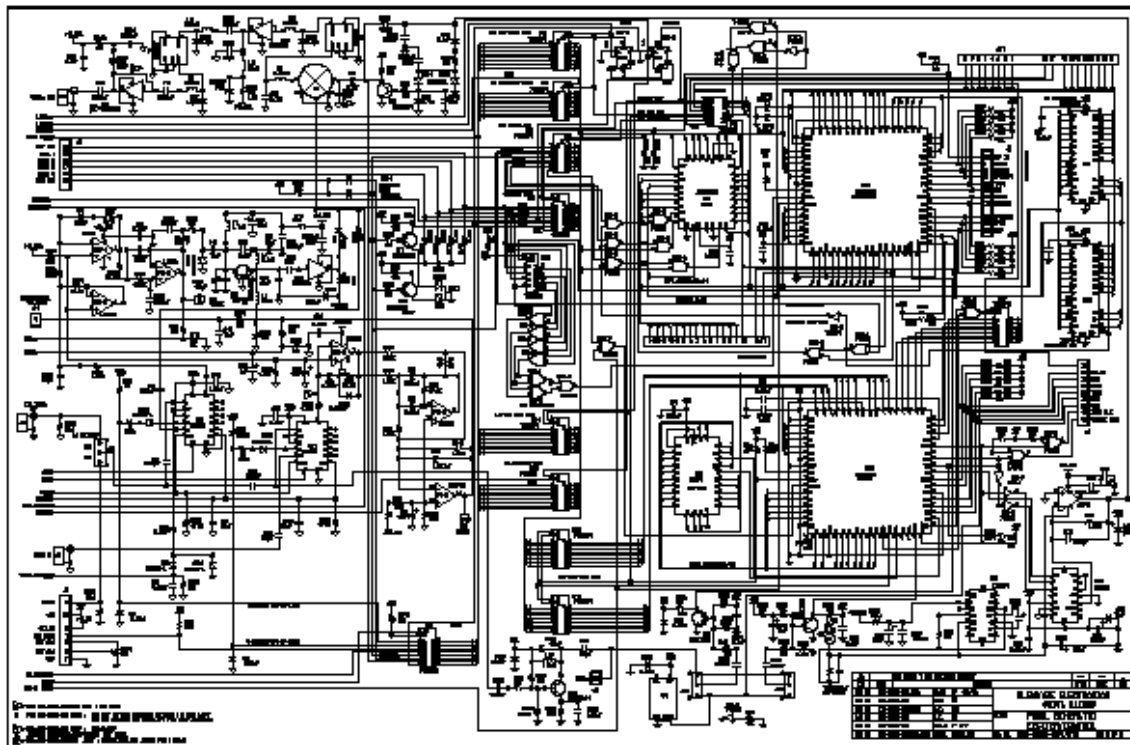




## EXHIBIT 6

Schematic Diagrams

GL-T8311 Exciter Control Board Page 2



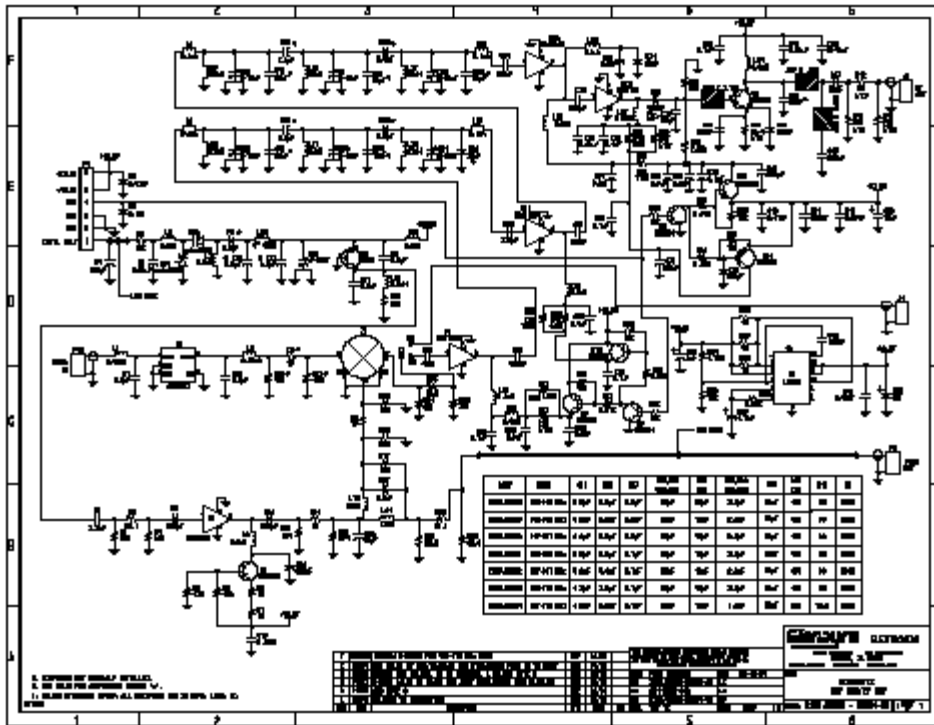




### EXHIBIT 6

Schematic Diagrams

GL-T8311 Exciter VCO/RF AMP

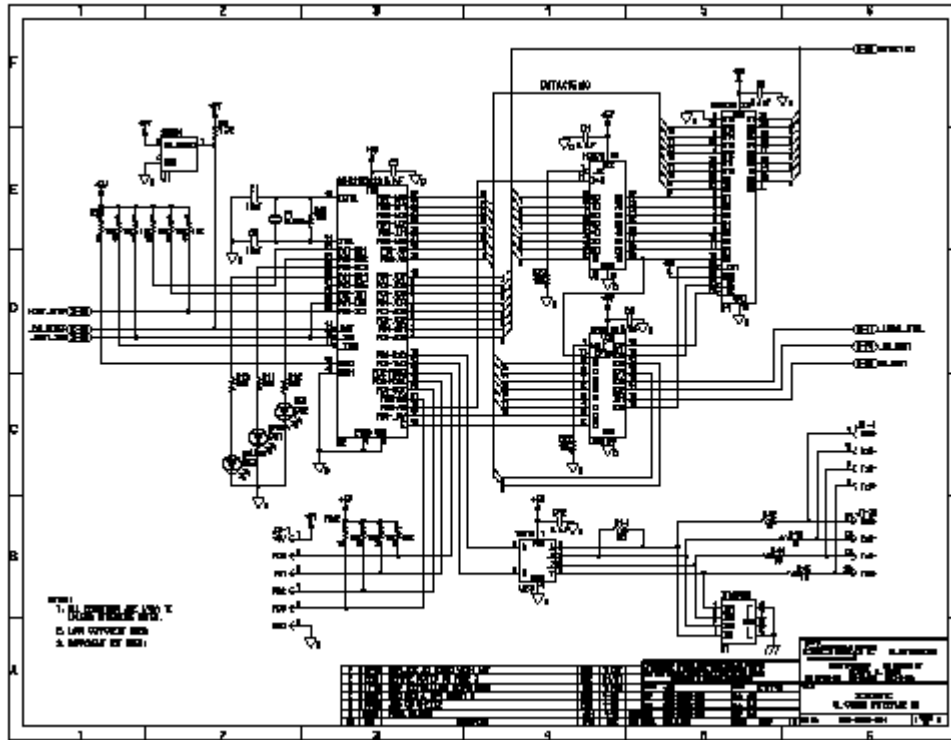




# EXHIBIT 6

Schematic Diagrams

GL-C2000 Controller Board Page 1

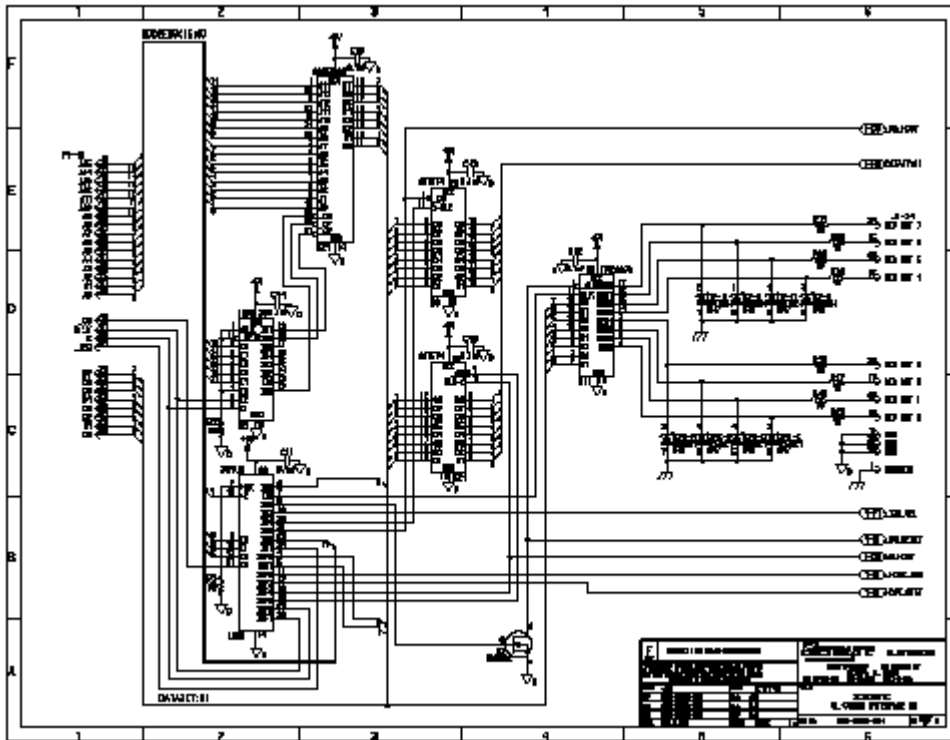




## EXHIBIT 6

Schematic Diagrams

GL-C2000 Controller Board Page 2



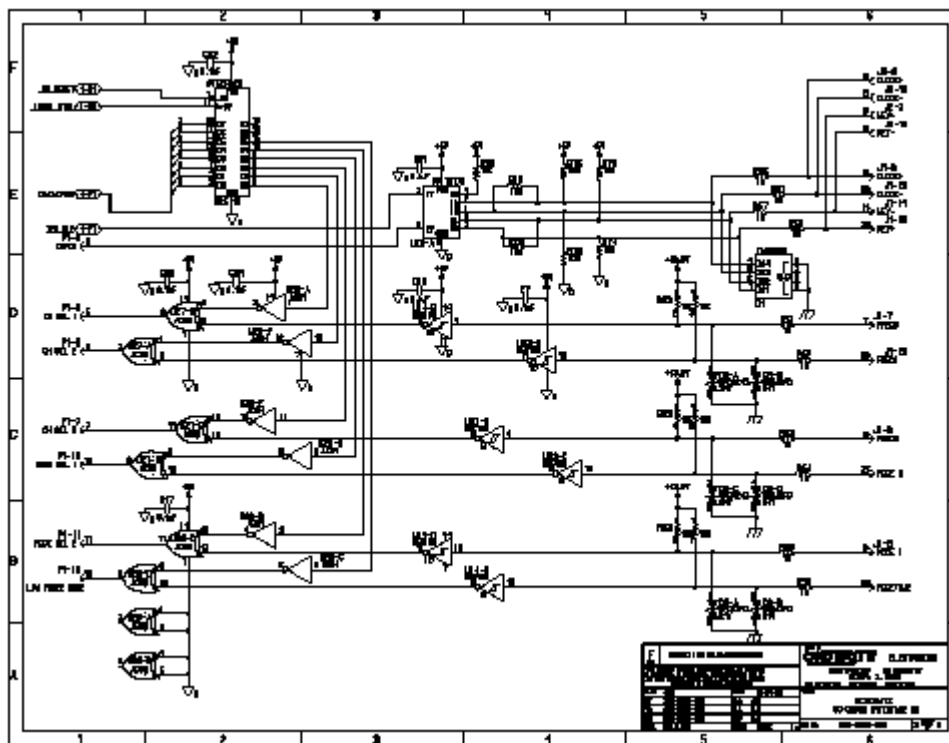




# EXHIBIT 6

Schematic Diagrams

GL-C2000 Controller Board Page 3

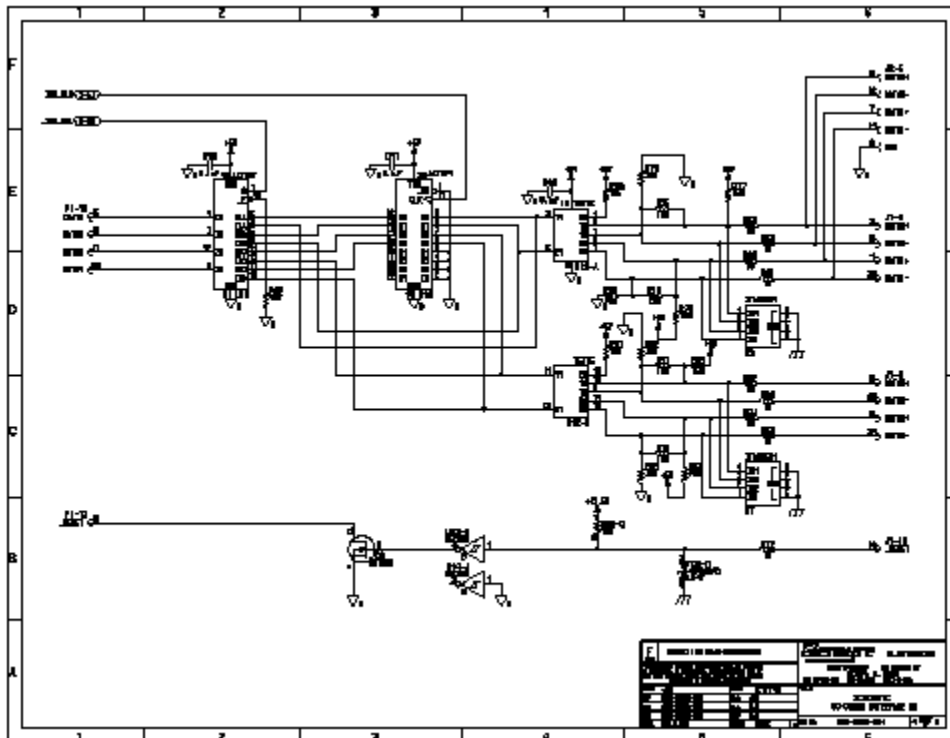




# EXHIBIT 6

Schematic Diagrams

GL-C2000 Controller Board Page 4





## EXHIBIT 6

Schematic Diagrams

GL-C2000 Controller Board Page 5

