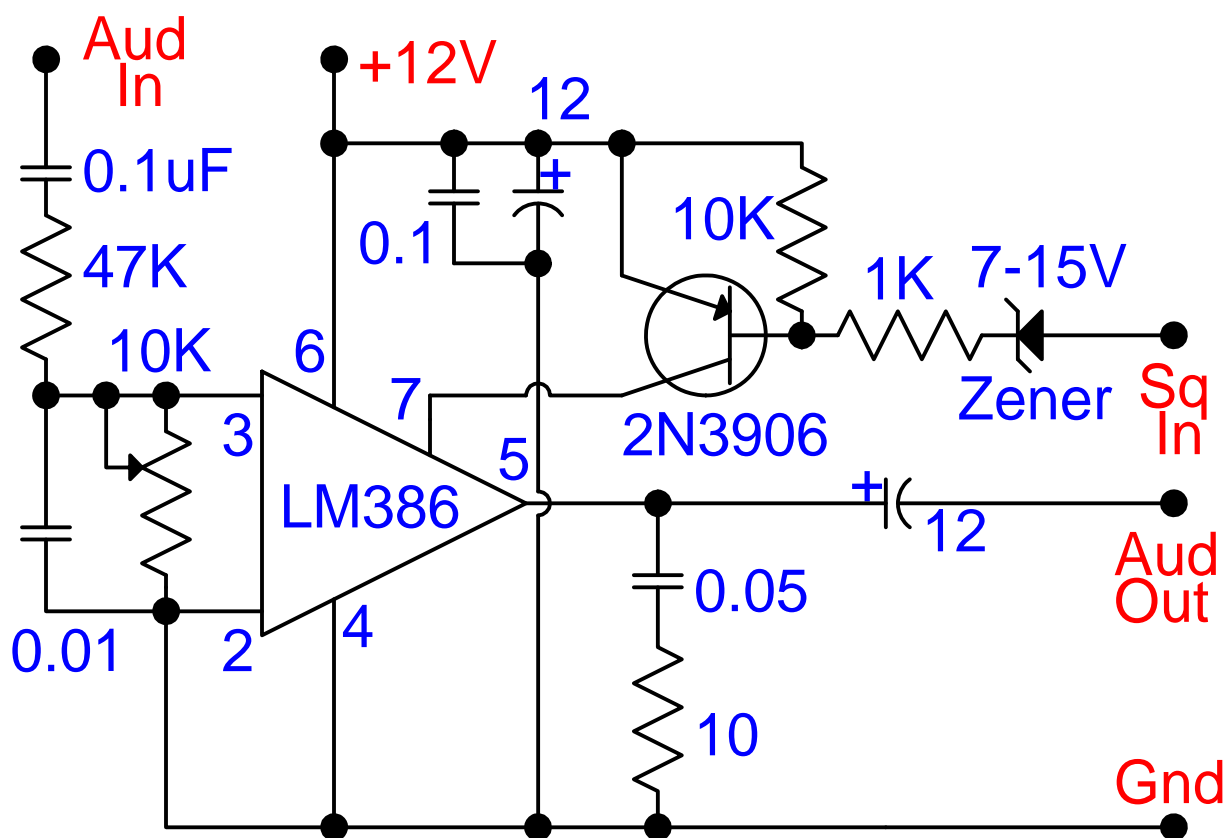


# GE Phoenix Gated Audio Amplifier

Designed by John J. Riddell VE3AMZ  
Redrawn by Robert W. Meister WA1MIK



Note: All capacitor values are in uF; 50V.  
All resistors are 1/4w unless specified.  
The Audio Input goes to the GE Phoenix Volume "HI" unsquelched pin HL-35. The 10K potentiometer controls the audio level.  
The Squelch Input goes to the GE Phoenix pin HL-58. This signal is 0V when the squelch is closed, and +6V when the squelch is open.  
Gain is ~17dB and is flat from 50 Hz to 20 kHz.