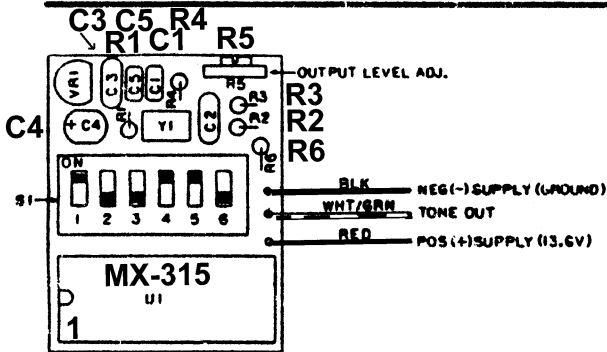
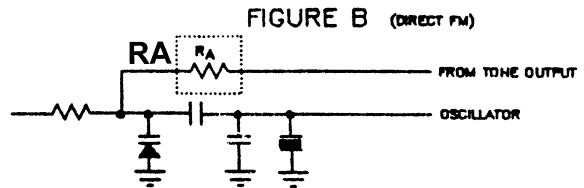
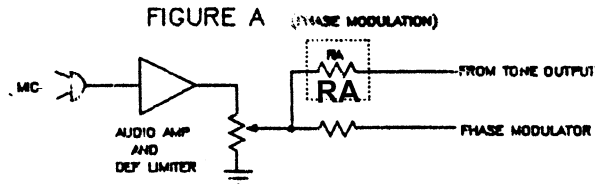
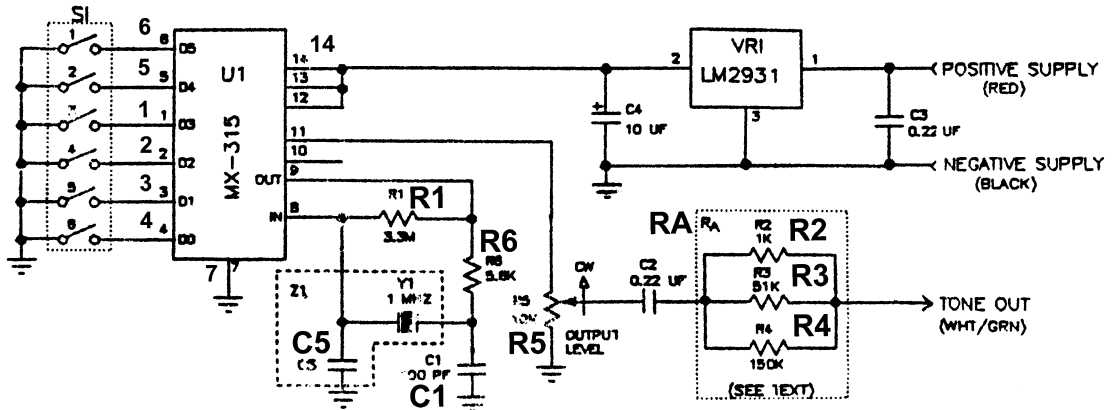


ST - 130

MODEL ST-130 DIGITONE CTCSS ENCODER



Component Locator with S1 shown programmed for 127.3 Hz

PROGRAMMING CHART

Freq in Hz	Switch Sections						Freq in Hz	Switch Sections					
	1	2	3	4	5	6		1	2	3	4	5	6
67.0	1	1	1	1	1	1	136.5	0	1	1	0	0	0
71.9	0	1	1	1	1	1	141.3	0	0	1	0	0	0
74.4	1	1	1	1	1	0	146.2	0	1	0	1	1	1
77.0	0	0	1	1	1	1	151.4	0	0	0	1	1	1
79.7	1	1	1	1	0	1	156.7	0	1	0	1	1	0
82.5	0	1	1	1	1	0	162.2	0	0	0	1	1	0
85.4	1	1	1	1	0	0	167.9	0	1	0	1	0	1
88.5	0	0	1	1	1	0	173.8	0	0	0	1	0	1
91.5	1	1	1	0	1	1	179.9	0	1	0	1	0	0
94.8	0	1	1	1	0	1	186.2	0	0	0	1	0	0
100.0	0	0	1	1	0	1	192.8	0	1	0	0	1	1
103.5	0	1	1	1	0	0	203.5	0	0	0	0	1	1
107.2	0	0	1	1	0	0	210.7	0	1	0	0	1	0
110.9	0	1	1	0	1	1	218.1	0	0	0	0	1	0
114.8	0	0	1	0	1	1	225.7	0	1	0	0	0	1
118.8	0	1	1	0	1	0	233.6	0	0	0	0	0	1
123.0	0	0	1	0	1	0	241.8	0	1	0	0	0	0
127.3	0	1	1	0	0	1	250.3	0	0	0	0	0	0
131.8	0	0	1	0	0	1							

0 = ON (ground); 1 = OFF (+5V) (See Component Locator above)

TEST 4032 = 1 1 0 0 1 1

REPLACEABLE PARTS LIST

Ref	Part Number	Description
C1	033-1000	Capacitor 100pF COG 100V 10%
C2-3	028-2203	Capacitor .22uF 25U 50V 20%
C4	034-0000	Capacitor 10uF Tant 16V 20%
R1	146-3304	Resistor 3.3M 1/8W 5% CF
R2	146-1001	Resistor 1K 1/8W 5% CF
R3	146-5102	Resistor 51K 1/8W 5% CF
R4	146-1503	Resistor 150K 1/8W 5% CF
R5	111-0002	Potentiometer 10K 1-turn
R6	146-5601	Resistor 5.6K 1/8W 5% CF
S1	180-0001	Switch 6-pos DIP
U1	080-0002	IC MX-315 CTCSS encoder
VR1	086-0000	IC LM2931 Voltage Reg
W1	221-0002	Wire Red 24 Ga 18"
W2	221-0000	Wire Black 24 Ga 18"
W3	221-0223	Wire Wht/Grn 24 Ga 18"
Z1*	501-0060	Freq. Determining Element

C5 = 150 pF (151) Consisting of C5 and Y1

* Z1 is replaceable only with factory-matched components. Do not attempt replacement of C5 and/or Y1 with unmatched components.

C5 Y1 = 1000 k (1 MHz)

MANUAL REVISION:

Print Date: 5/9/90 Authorization By: Eng. *[Signature]*
 Schem. No: 401306A Prod. *[Signature]*
 Comp. Loc: 401306A Mktg. *[Signature]*

("401306" printed on solder side)

Selectone

SELECTONE CORPORATION • 23278 Bernhardt Street
 Hayward, California 94545 • (415) 887-1950
 TOLL FREE: (800) 227-0376
 TWX: 910-383-0709 • FAX: (415) 887-4011

Selectone ST-130 PROGRAMMING CHART

Freq in Hz	DIP Switch Sections						Freq in Hz	DIP Switch Sections					
	1	2	3	4	5	6		1	2	3	4	5	6
67.0	1	1	1	1	1	1	136.5	0	1	1	0	0	0
71.9	0	1	1	1	1	1	141.3	0	0	1	0	0	0
74.4	1	1	1	1	1	0	146.2	0	1	0	1	1	1
77.0	0	0	1	1	1	1	151.4	0	0	0	1	1	1
79.7	1	1	1	1	0	1	156.7	0	1	0	1	1	0
82.5	0	1	1	1	1	0	162.2	0	0	0	1	1	0
85.4	1	1	1	1	0	0	167.9	0	1	0	1	0	1
88.5	0	0	1	1	1	0	173.8	0	0	0	1	0	1
91.5	1	1	1	0	1	1	179.9	0	1	0	1	0	0
94.8	0	1	1	1	0	1	186.2	0	0	0	1	0	0
100.0	0	0	1	1	0	1	192.8	0	1	0	0	1	1
103.5	0	1	1	1	0	0	203.5	0	0	0	0	1	1
107.2	0	0	1	1	0	0	210.7	0	1	0	0	1	0
110.9	0	1	1	0	1	1	218.1	0	0	0	0	1	0
114.8	0	0	1	0	1	1	225.7	0	1	0	0	0	1
118.8	0	1	1	0	1	0	233.6	0	0	0	0	0	1
123.0	0	0	1	0	1	0	241.8	0	1	0	0	0	0
127.3	0	1	1	0	0	1	250.3	0	0	0	0	0	0
131.8	0	0	1	0	0	1	Test 4,032 Hz	1	1	0	0	1	1