

TE-16 Supplemental Instruction Sheet

The TE-16 is designed around our model SS-64 CTCSS encoder. Your custom tone frequencies are selected by the 16 position rotary switch. Any 16 tones from the 64 tone list can be programmed by Communications Specialists to be selected by the 16 position rotary switch.

Radio connections are made via the three conductor shielded cable. The red colored wire is positive voltage (+V), black is ground and white is CTCSS tone output.

The chart below shows your 16 tone frequencies, their memory locations and the rotary switch position for each tone. Refer to the attached SS-64 instruction sheet for general hook-up information, schematic, and parts list for the SS-64.

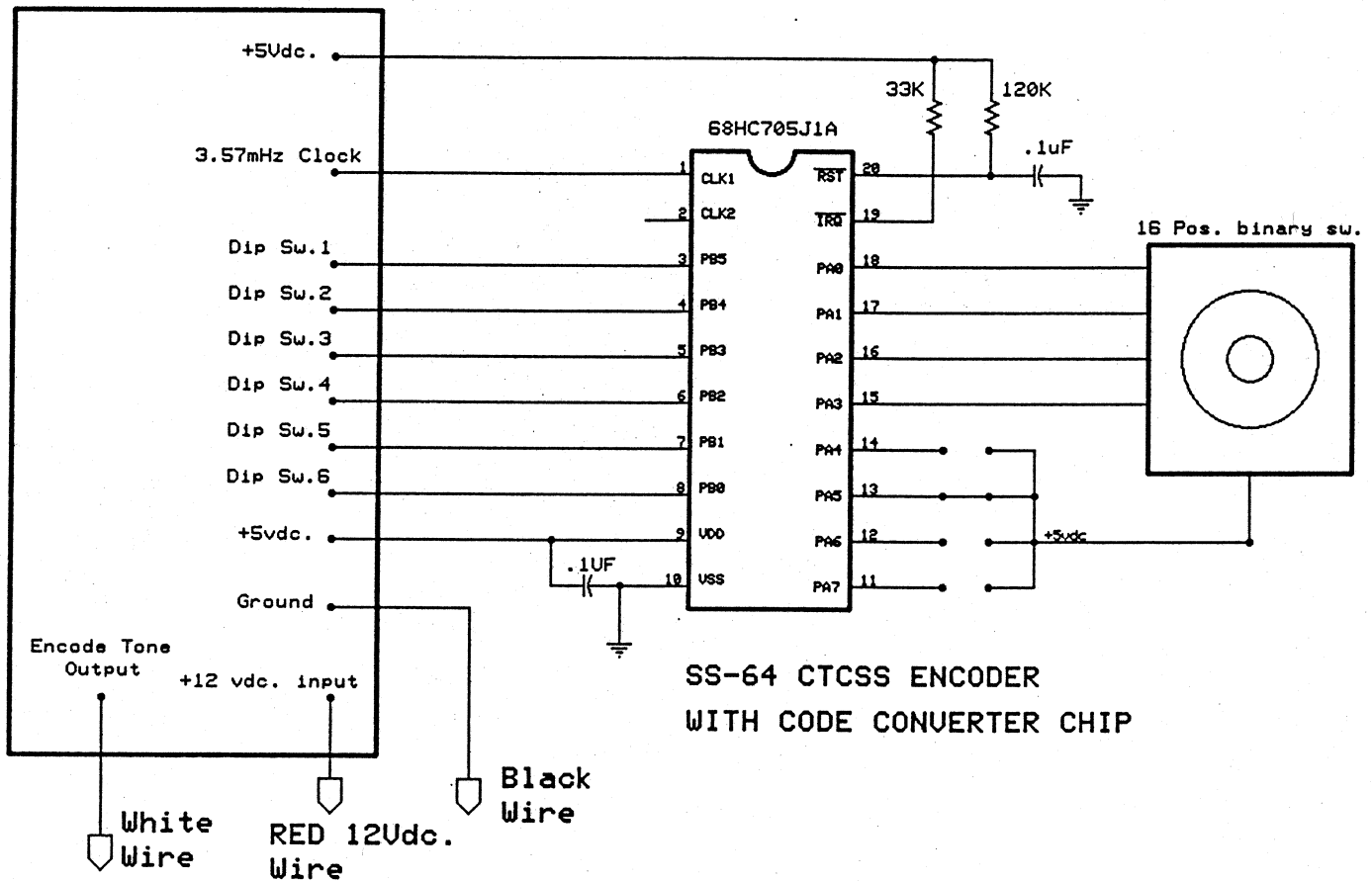
TE-16 Custom Tones

Switch Number*		Tone Frequency (HZ)
1	32	110.9 HZ
2	31	123.0 HZ
3	30	131.8 HZ
4	29	136.5 HZ
5	28	146.2 HZ
6	27	156.7 HZ
7	26	167.9 HZ
8	25	103.5 HZ
9	24	100.0 HZ
10	23	107.2 HZ
11	22	114.8 HZ
12	21	127.3 HZ
13	20	141.3 HZ
14	19	173.8 HZ
15	18	192.8 HZ
16	17	210.7 HZ

The following parts do not appear on the SS-64 instruction sheet:

40-1025	16 position rotary switch	\$13.50
BXK	Box and hanger	\$17.95
30-7023	Three conductor cable	\$3.00
36-1002	Knob, cap & nutcover assembly	\$2.50
64-1013	Faceplate	\$3.00

TE-16 Schematic & Parts List



The following parts do not appear on the SS-64 instruction sheet:

40-1025	16 position rotary switch	\$13.50
BXK	Box and hanger	\$17.95
30-7023	Three conductor cable	\$3.00
36-1002	Knob, cap & nutcover assembly	\$2.50
64-1013	Faceplate	\$3.00

TE-16 Tone Chart

CDF FREQUENCIES

Switch Number*	IC-110 Memory Location	Tone Frequency (HZ)
1	32	110.9 HZ
2	31	123.0 HZ
3	30	131.8 HZ
4	29	136.5 HZ
5	28	146.2 HZ
6	27	156.7 HZ
7	26	167.9 HZ
8	25	103.5 HZ
9	24	100.0 HZ
10	23	107.2 HZ
11	22	114.8 HZ
12	21	127.3 HZ
13	20	141.3 HZ
14	19	173.8 HZ
15	18	* 192.8 HZ
16	17	* 210.7 HZ

* YOUR CUSTOM TONES.