

## CES MICROPAD

### ALL MODELS EXCEPT 600L UNIVERSAL MICROPAD

#### INSTALLATION

To use the CES MICROPAD on your transceiver, filtered 9VDC to 15VDC must be wired to one of the pins on the transceiver microphone connector. Install a connector on the microphone cable as shown below.

BLUE	12VDC
RED	PTT
WHITE	AUDIO
BLACK	CTCSS
YELLOW	GROUND
SHIELD	GROUND

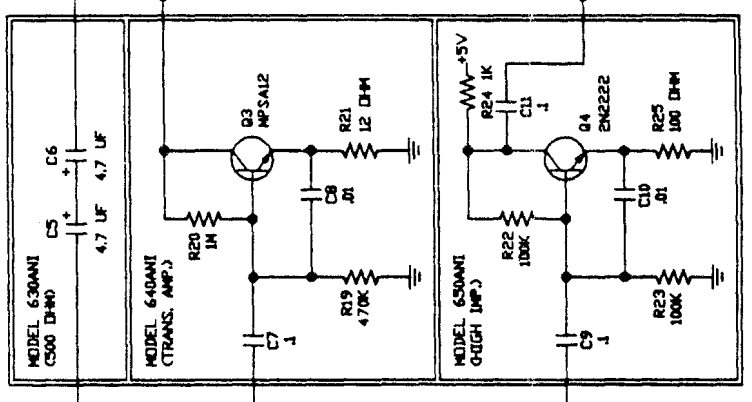
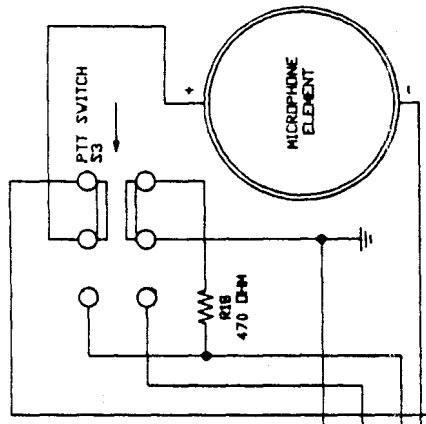
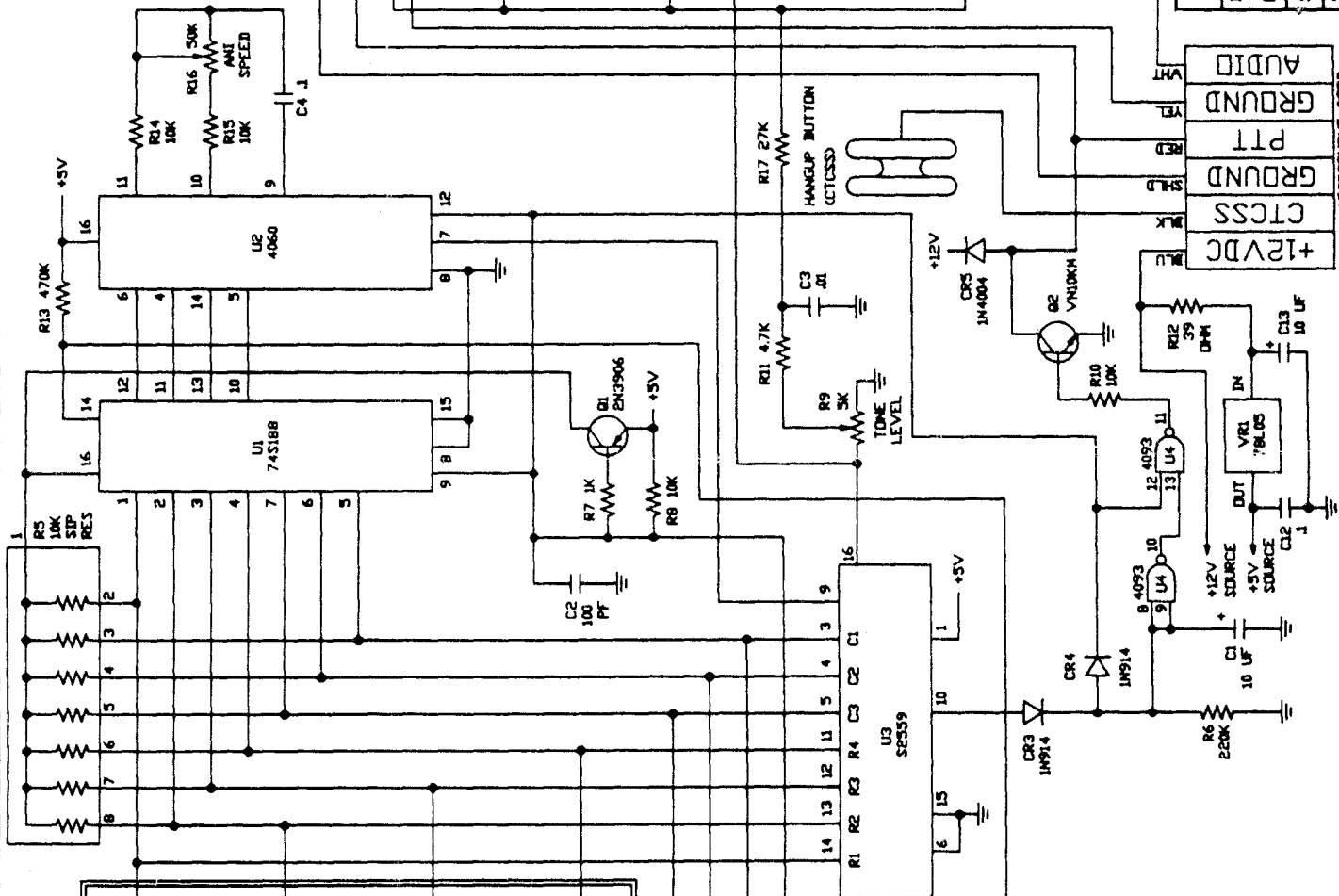
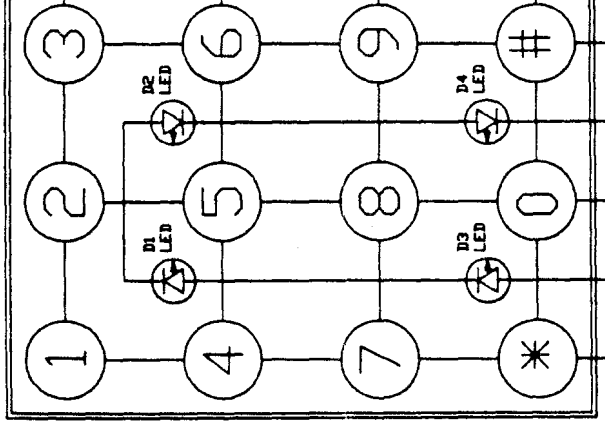
#### \* CAUTION \*

After wiring your microphone, please check for proper wiring. Use a voltmeter to verify that the ground and 12V pins show the same readings with and without the microphone connected.

#### ADJUSTMENT

For reliable dialing, the microphone tone deviation must be adjusted. DTMF signalling should be transmitted at no more than 2/3 of maximum deviation. If the maximum deviation is 5KHZ, the tone deviation should be adjusted for no more than 3.3KHZ. The potentiometer inside the microphone is used to make this adjustment. The deviation controls in the transceiver should be adjusted first for proper voice operation. Then adjust the potentiometer in the microphone for no more than 3.3KHZ tone deviation.

NOTE: KEYBOARD BELOW IS SHOWN WITH OPTIONAL LED'S GLIGHTED KYBD)



CES INCORPORATED  
 DRAWING TITLE SCHEMATIC DIAGRAM  
 600 SERIES MIC. WITH ANI  
 SIZE: C DWG. NO. SCH1153  
 SCALE: — SHEET: 1 OF 1

