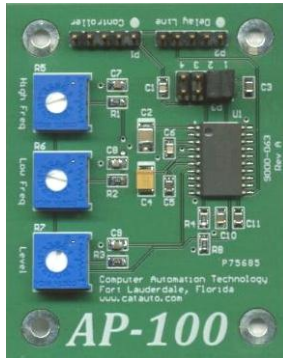


AP-100 Audio Processor



Instruction Manual

Computer Automation Technology Inc.

4631 N.W. 31st. Avenue, Suite 142

Fort Lauderdale, Florida 33309

Phone: 954 978-6171

Internet: www.catauto.com

AP-100 Audio Processor

Place the AP-100 in the receiver's audio path to compensate your communication system's frequency response.

The LOW and HIGH frequency controls can be adjusted independently with each having a range greater than 20dB. An overall gain control is also provided. It becomes a simple matter to compare the signal on the input of your repeater to the signal heard on the repeater's output and adjust the frequency response accordingly.

The AP-100 becomes invaluable when setting up a voting system and making the audio response identical from each remote site. As the voter panel switches a person listening to the repeater output will not be able to detect a change in the audio.

Installation is easy. Remove the jumper plug from the Controller's delay Line header and connect the AP-100 cable. Make sure the jumpers on the AP-100 board are on positions 1 and 2 and connect the AP-100 and controller as shown in Figure 1.

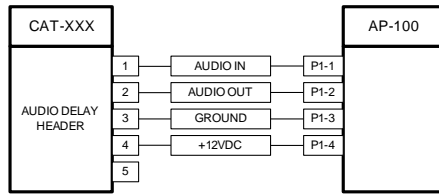


Figure 1

To use the AP-100 in conjunction with an Audio Delay board move the jumpers to positions 3 and 4 and connect the controller, AP-100 and Audio Delay board as shown in Figure 2.

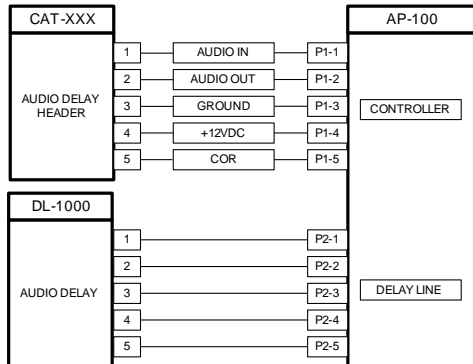
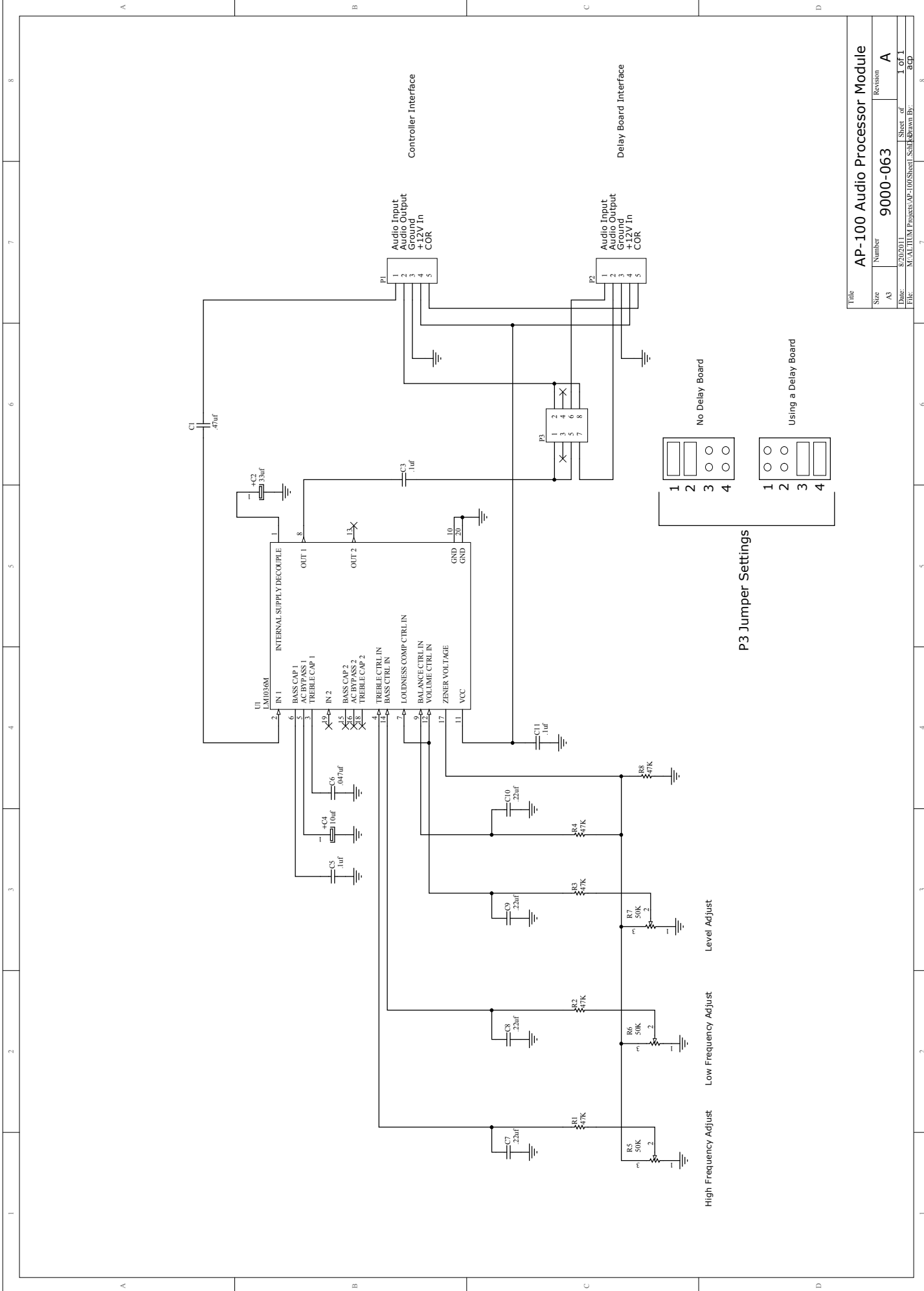


Figure 2



Controller Interface

Delay Board Interface

P3 Jumper Settings

No Delay Board

Using a Delay Board

Title		AP-100 Audio Processor Module	
Size	Number	Revision	A
A3	9000-063		
Date	3/20/01	Sheet of	1 of 1
File	M:\ALUM\Process\AP-100\Sheet1.Sch	Drawn By:	BCD