

BENDIX/KING

Mobile Communications Division

**LAA 0725
Programming Cable
Installation Manual**

RS-232 Serial Interface

The Bendix/King LAA0725 Programming Cable provides a communications link between a Bendix/King radio and a computer. This allows you to program the radio from the computer.

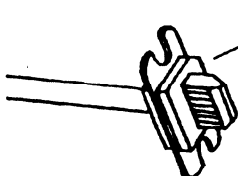
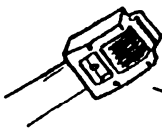
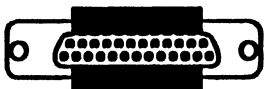
Customized software for programming the various models of Bendix/King radios is available separately from Bendix/King. Be sure to use the right software for the radios you are programming. If the radios have been modified with special features, mention that when ordering software.

BEFORE YOU BEGIN

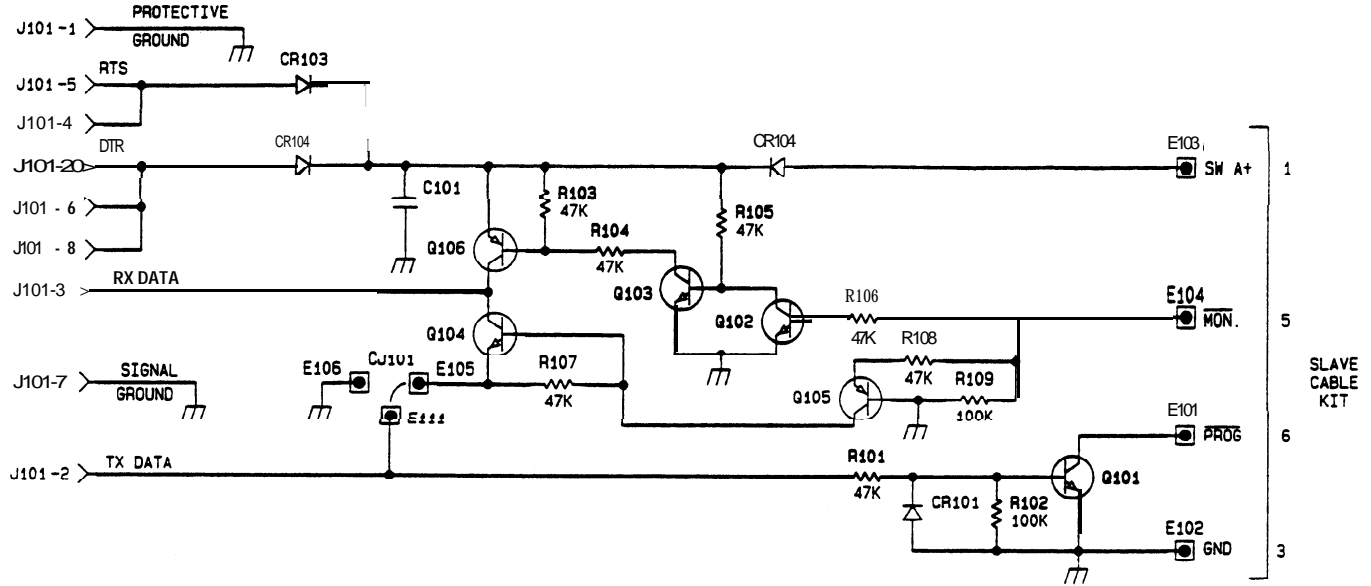
Be certain that you have all the following:

- * LAA 0725 Programming Cable
- * IBM or IBM compatible computer equipped with:
 - MS-DOS 3.0 or later
 - a 5.25" disk drive
 - an RS-232 serial port
- * Bendix/King software diskette for the specific radio models to be programmed

CABLE INSTALLATION



1. Connect the 25 pin connector to the serial port of the computer. Note whether the serial port is Com 1 or Com 2.
2. Make sure that the battery pack is charged for portable radios. Make sure the mobile radio is disconnected to a 12V DC power source.
3. Turn the computer on and start the software for programming the specific radio model.
4. **FOR MOBILES:** Insert the modular telephone style plug into the front panel mic connector.
FOR PORTABLES: insert the larger connector into the universal side connector of the portable.
5. Turn the radio on.
6. Follow the instructions provided with the programming software.



NOTES:

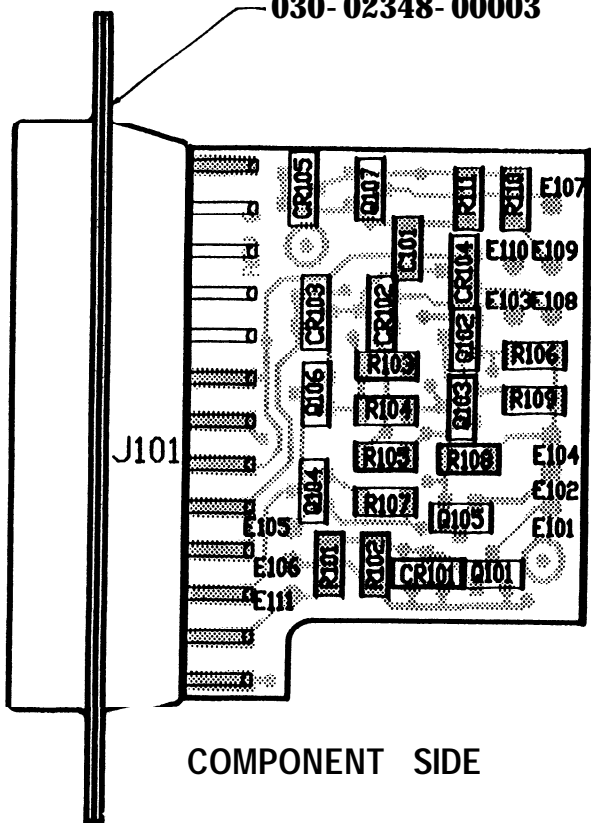
1. RESISTORS ARE IN OHMS +/- 5%
 1K/V UNLESS OTHERWISE SPECIFIED.

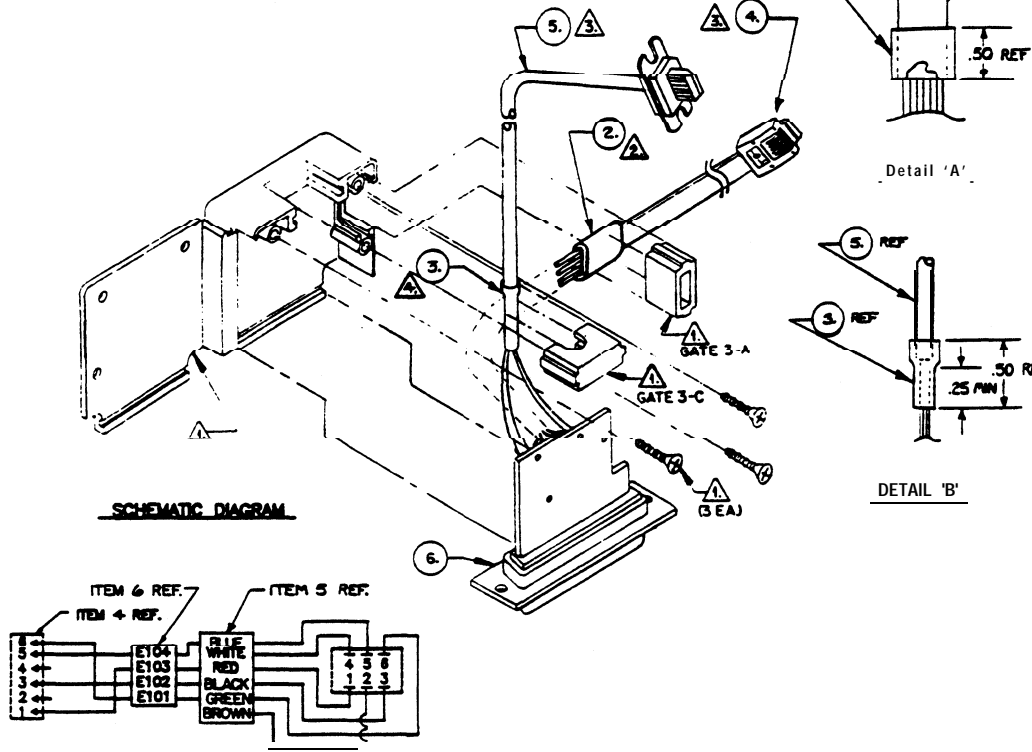
2.

JUMPER	NORMAL	OPTION
CJ101	E105	E101 E105 E106

REMOVE JUMPER FROM NORMAL POSITION
 TO INSTALL IN THE OPTIONAL LOCATION.

030-02348-00003





- NOTES:**
- 1 PART OF ITEM 1. ALL OTHER ITEMS SUPPLIED WITH THIS PART, EXCEPT THOSE SHOWN IN DRAWING ARE TO BE DISCARDED.
 - 2 POSITION SHRINK WRAP (ITEM 2) TO OVERLAP OUTER CABLE JACKET SO BOTH ENDS ARE EVEN. SEE DETAIL 'A'.
 - 3 'A'. GATE 3-A CLAMPS OVER ITEM 2. WITH BOTH CABLES PARALLEL, BIND BOTH TOGETHER WITH A CABLE TIE (ITEM 7) APPROX. 12" BEHIND CABLE CONNECTORS. LOOP CABLES INTO A COIL APPROX. 6" DIAMETER. SECURE BY LOCATING A CABLE TIE (ITEM 7) JUST BEHIND CABLE CONNECTORS.
 - 4 POSITION SHRINK WRAP (ITEM 3) TO OVERLAP OUTER CABLE JACKET AND COVER INDIVIDUAL INSULATED CONDUCTORS A MINIMUM OF .25 INCH. POSITION CONNECTOR HOUSING SO GATE 3-C CLAMPS ON TO THIS .25 INCH SECTION. SEE DETAIL 'B'.