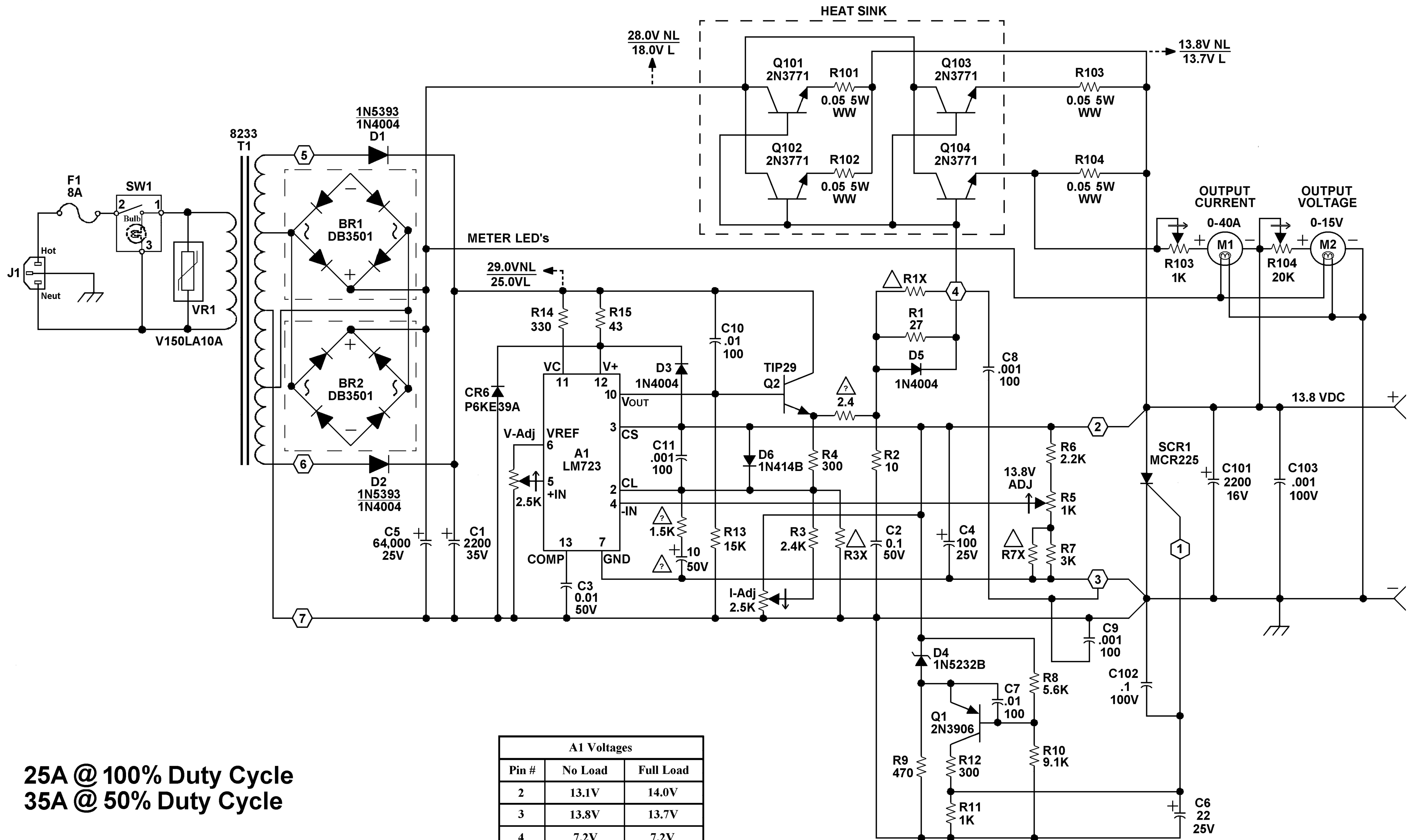


The schematic image reproduced on this page is copyright © Astron Corporation. No copyright infringement is intended. This diagram depicts a particular serial numbered unit for service use only. The Astron logo/image is a registered trademark of the Astron Corporation and is used with permission.



25A @ 100% Duty Cycle
35A @ 50% Duty Cycle

Unless Otherwise Noted:

All resistors are 5%, 1/2 watt C.F. in ohms

All capacitors are in Microfarads

⬡ Printed circuit board connection

△ To be selected in test

⚠ Not found in all units

→ Clockwise Rotation

A1 Voltages		
Pin #	No Load	Full Load
2	13.1V	14.0V
3	13.8V	13.7V
4	7.2V	7.2V
5	7.2V	7.2V
6	7.2V	7.2V
7	0.0V	0.0V
10	14.8V	16.5V
11	29.0V	25.0V
12	29.0V	25.0V
13	16.1V	17.8V

MODEL: VS-35M (Drawn from RS-35M)



IRVINE, CALIFORNIA