

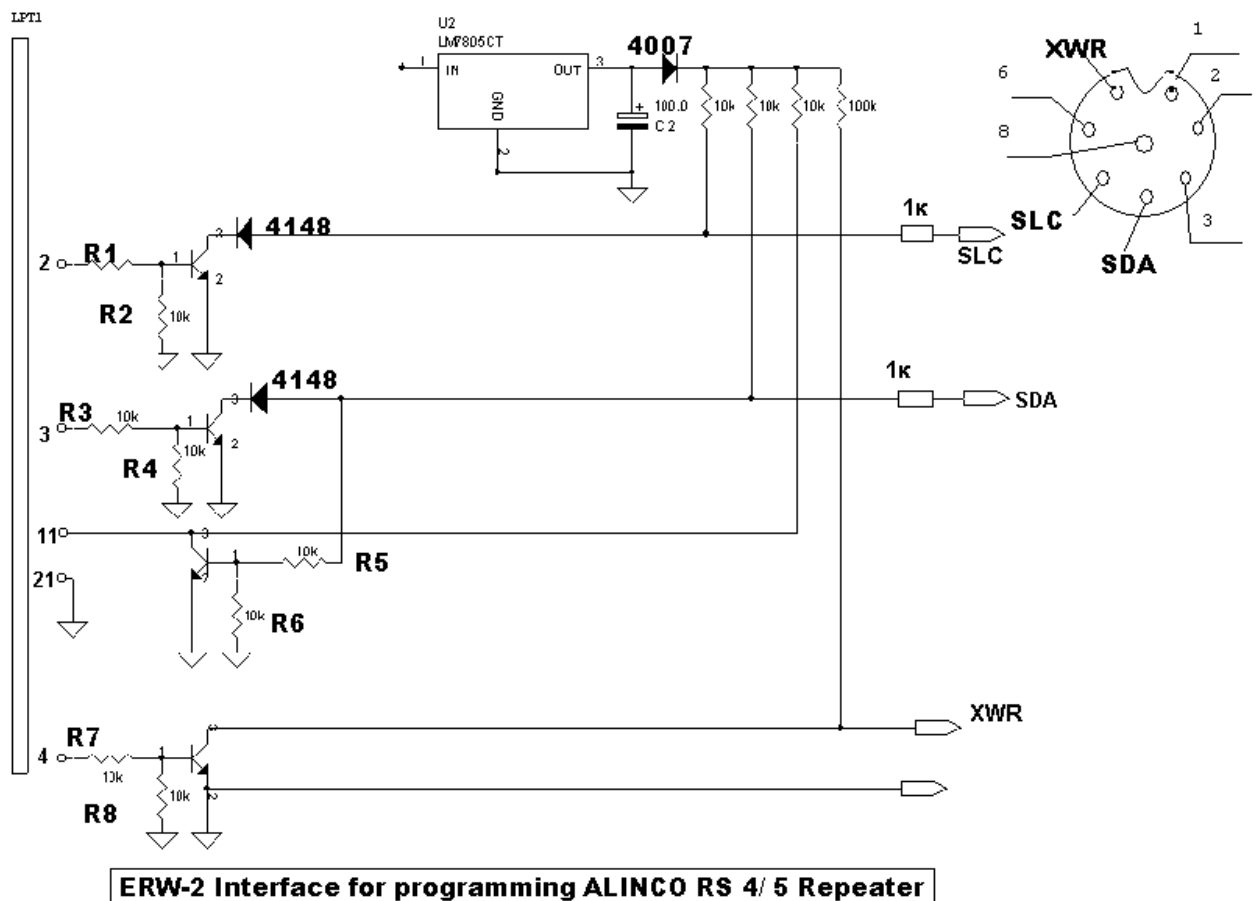
## Programming ALINCO RS-4/ 5 Repeater

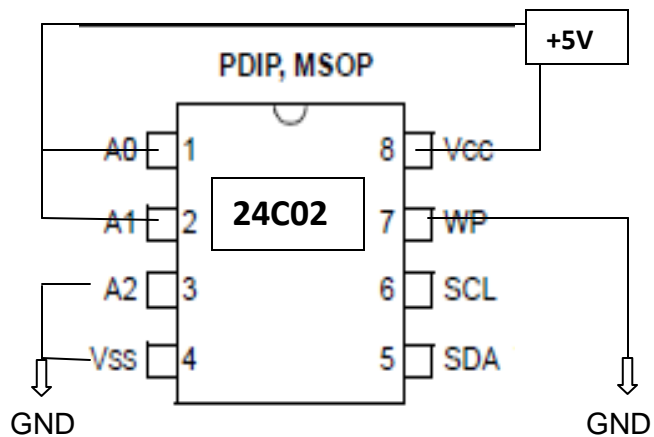
The details for programming an ALINCO RS 4/ 5 repeater is listed below. This is the result of searching, compiling details and more of trial and testing.

Personally I prefer to mount IC sockets (if not provided in the repeater) for the EEPROMS in TX and RX CPU units. Also the programmer below can be constructed with an IC socket and EEPROMS can be programmed directly without connecting to the repeater. The programmed EEPROMS can then be installed in the repeater.

We can avoid carrying a computer to program the repeater (via the mic connector). The connections for the interface and mic connector on the repeater are also marked. The DOS software will work with printer port and in bidirectional mode only (please verify the BIOS setting of your computer). The voltage in pins SDA, SLC should be 2.75 to 3.0 volts. Vary the resistor values of R (potential dividers) to achieve this voltage. EEPROMS 24C02 will work in this voltage range.

The circuit for the programmer is ERW-2.





I believe there are many ALINCO repeaters still in service around the world. The lack of support, inadequate details and lack of proper documentation forced me into experimenting with two RS 4 repeaters of the local club in city of Madras.

I wish this article will be of help to HAMS around the world.

Best Wishes.

Ganesh. H

vu3VTK