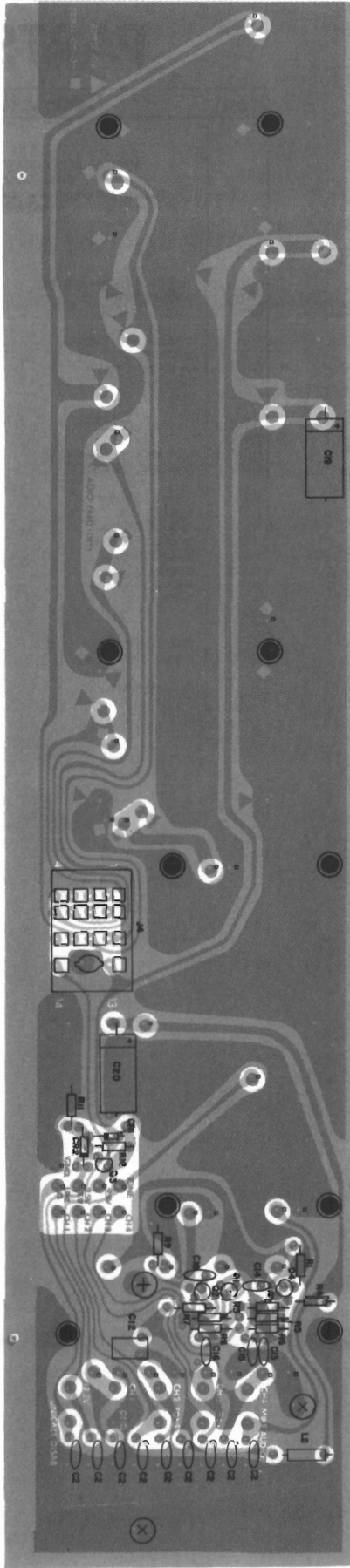
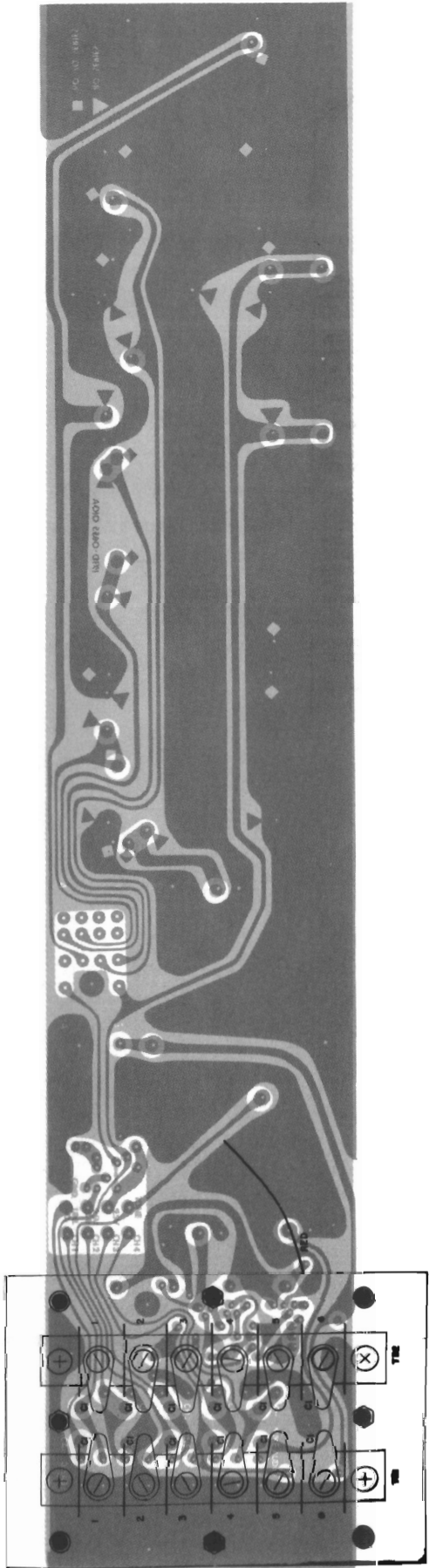


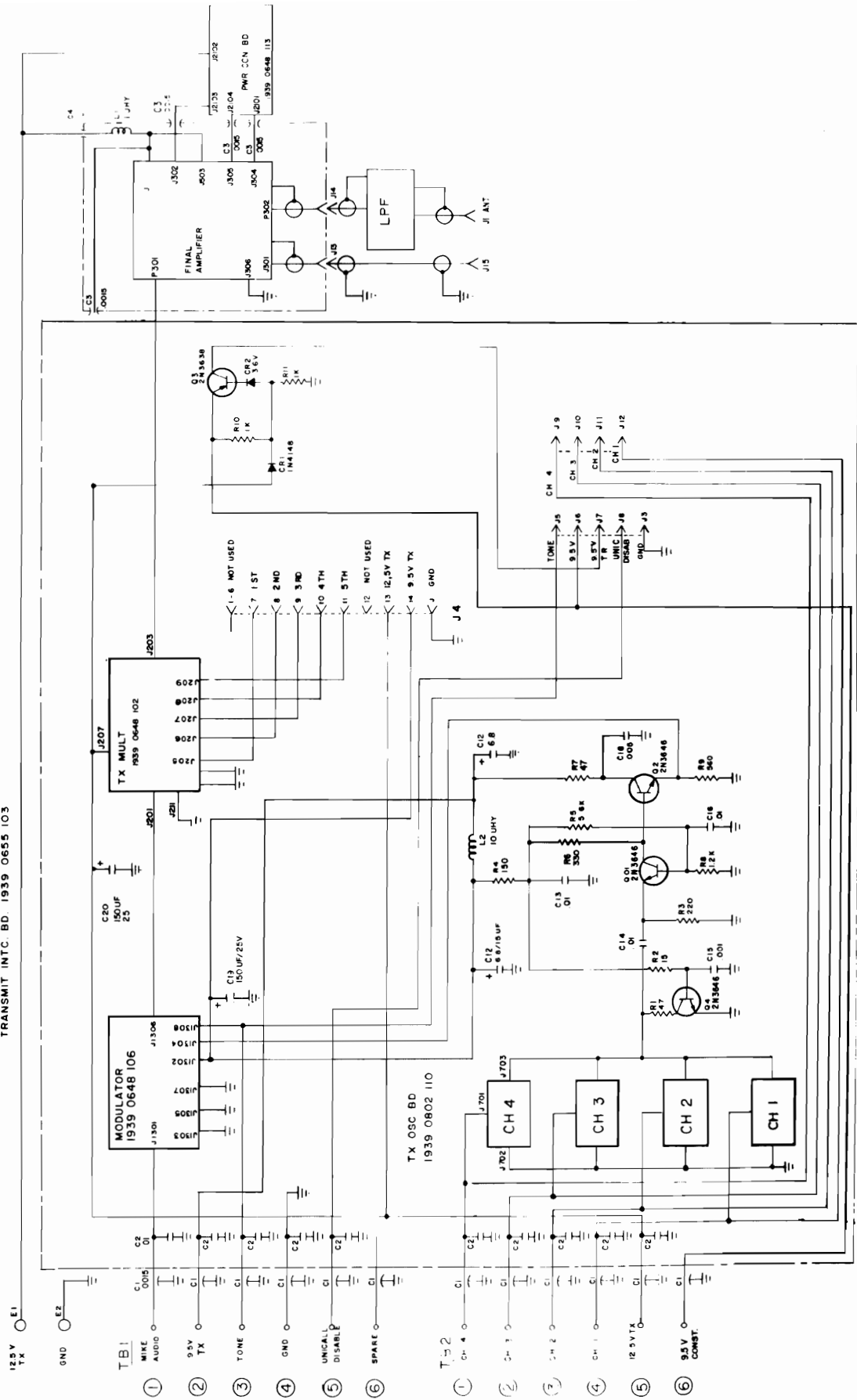
PARTS LIST

Item	Description	Part No
	<p style="text-align: center;">MASTER INTERCONNECT ASSEMBLY, BASE TRANSMIT</p> <p style="text-align: center;">To order complete board assembly, use part number 1939-0655-103</p>	
C01	Feed through plate assembly	1939-0655-102
C02	Capacitor, .01uf	1502-1005-004
thru		
C11		
C12	Capacitor, 6.8uf tant.	1532-6807-035
C13	Capacitor, .01uf	1502-1005-004
C15	Capacitor, .001uf	1506-1004-001
C16	Capacitor, .01uf	1502-1005-004
C18	Capacitor, .005uf	1510-5004-001
Q01	Transistor, 2N3646	4811-0000-041
Q02		
Q03	Transistor, 2N3638A	4810-0000-018
Q04	Transistor, 2N3646	4811-0000-041
R01	Resistor, 220 ohm	4704-4702-001
R02	Resistor, 15K	4704-1505-001
R03	Resistor, 220 ohm	4704-2203-001
R04	Resistor, 150 ohm	4704-1503-001
R05	Resistor, 5.6K	4704-5604-001
R06	Resistor, 330 ohm	4704-3303-001
R09	Resistor, 560 ohm	4704-5603-001
R10	Resistor, 1K	4704-1004-001
R11		
CR01	Diode, 1N4148	4803-0000-004
CR02	Diode, zener, 1N747	4830-3601-001
	Sk.t. test meter	2125-0000-002

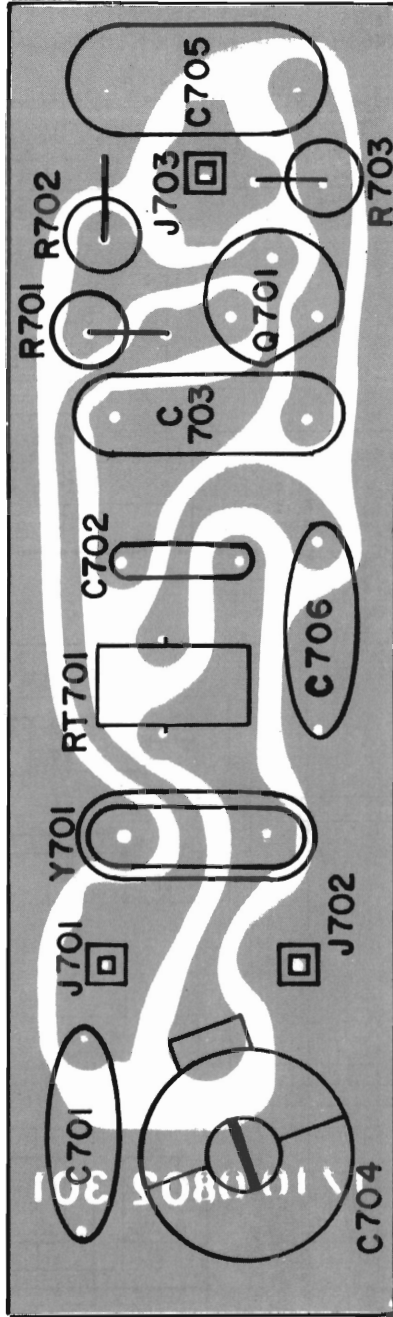


MASTER INTERCONNECT MODULE PARTS LOCATION

TRANSMIT INT. BD. 1939 0655 103



MASTER INTERCONNECT SCHEMATIC



TCXO MODULE PARTS LOCATION

PARTS LIST

Item	Description	Part No
G	TCXO BOARD Component parts selected at manufacture to comply with FCC stability requirements. To order complete assembly, state part number and channel frequency. Transmit: 1939-0802-110	

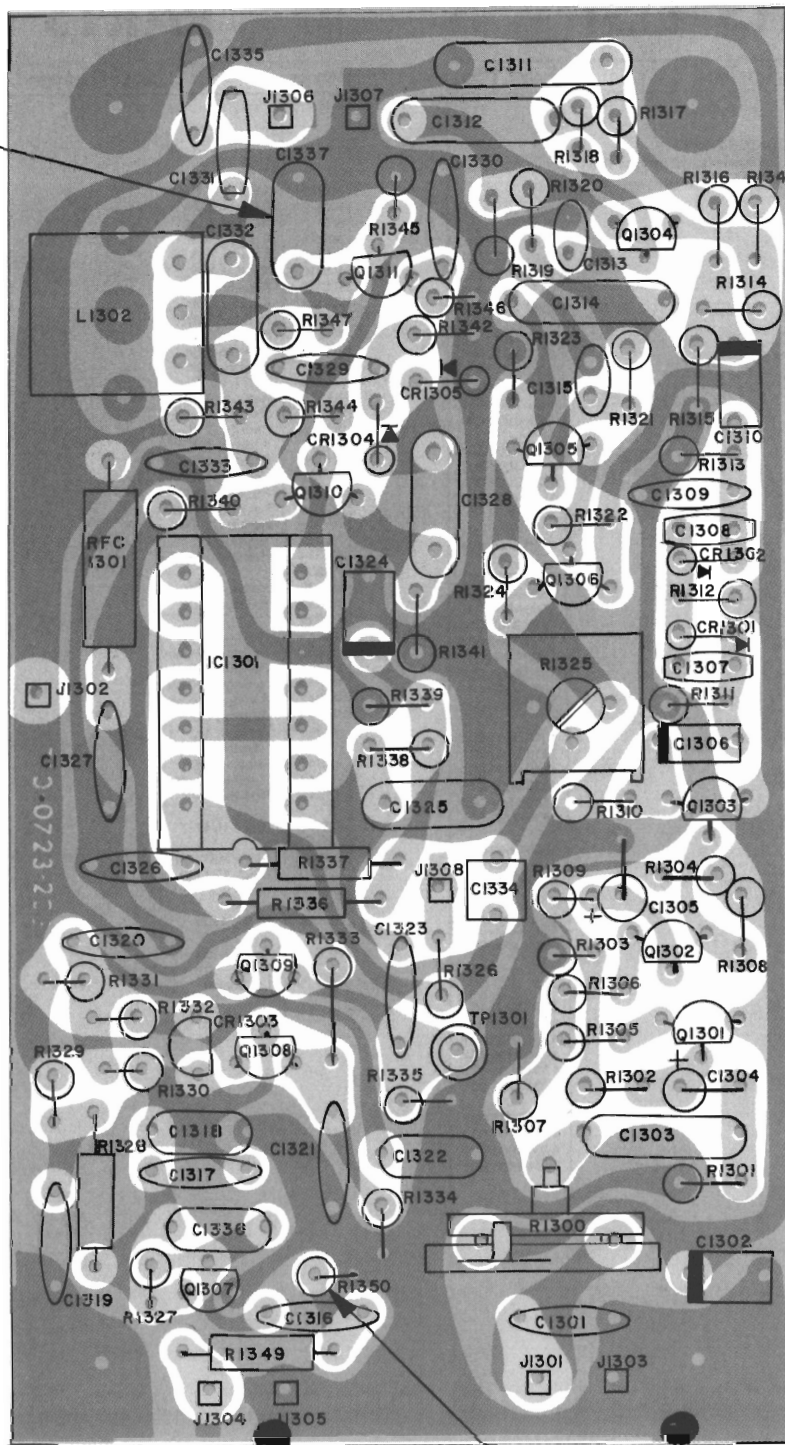
PARTS LIST

Item	Description	Part No
D	MODULATOR BOARD To order complete board assembly, use part number 1939-0648-106	
C1301	Capacitor, .001 disc. cer.	1506-1004-001
C1302	Capacitor, 33uf/10V	1532-3308-010
C1303	Capacitor, .01 film	1529-1005-001
C1304	Capacitor, 2.2uf/15V	1532-2207-015
C1305		
C1306	Capacitor, 6.8uf/35V	1532-6807-035
C1307	Capacitor, 100pf silver mica	1513-1003-006
C1308		
C1309	Capacitor, .001 disc. cer.	1506-1004-001
C1310	Capacitor, 6.8uf/35V	1532-6807-035
C1311	Capacitor, .01 film	1529-1005-001
C1312		
C1313	Capacitor, .0022uf	1526-2204-001
C1314	Capacitor, .01 film	1529-1005-001
C1315	Capacitor, .0022uf	1526-2204-001
C1316	Capacitor, .001 disc. cer.	1506-1004-001
C1317		
C1318	Capacitor, 47pf silver mica	1513-4702-001
C1319	Capacitor, .005uf	1510-5004-001
C1320		
C1321	Capacitor, .01 stable	1526-1005-001
C1322	Capacitor, 62pf silver mica	1513-6202-001
C1323	Capacitor, .001 disc. cer.	1506-1004-001
C1324	Capacitor, 33uf/10V	1532-3308-010
C1325	Capacitor, 33pf silver mica	1513-3302-001
C1326	Capacitor, .001 disc. cer.	1506-1004-001
C1327	Capacitor, .005uf disc.	1510-5004-001
C1328	Capacitor, 22pf silver mica	1513-2202-001
C1329	Capacitor, .005uf disc.	1510-5004-001
C1330		
C1331	Capacitor, 6.8pf silver mica	1513-6801-006
C1332	Capacitor, 27pf s.m.	1513-2702-001
C1333	Capacitor, .005uf disc.	1510-5004-001
C1334	Capacitor, 6.8uf non polar	1536-6807-015
C1335	Capacitor, .0015 disc cer	1510-1504-003
C1336	Capacitor, 47pf silver mica	1513-4702-001
L1302	Coil	1805-0645-073
Q1301 thru Q1305	Transistor, MPS8514	4811-0000-012
Q1306 Q1307 thru Q1311	Transistor, 2N5226 Transistor, 2N3646	4811-0000-028 4811-0000-041
R1300	Pot 1K	4735-1004-002
R1301	Resistor, 3.9K	4704-3904-001
R1302	Resistor, 10K	4704-1005-001
R1303	Resistor, 3.3K	4704-3304-001
R1304	Resistor, 5.6K	4704-5604-001
R1305	Resistor, 22 ohm	4704-2202-001
R1306		
R1307	Resistor, 3.9K	4704-3904-001
R1308	Resistor, 8.2	4704-8204-001
R1309	Resistor, 10K	4704-1005-001
R1310	Resistor, 1.5K	4704-1504-001

PARTS LIST

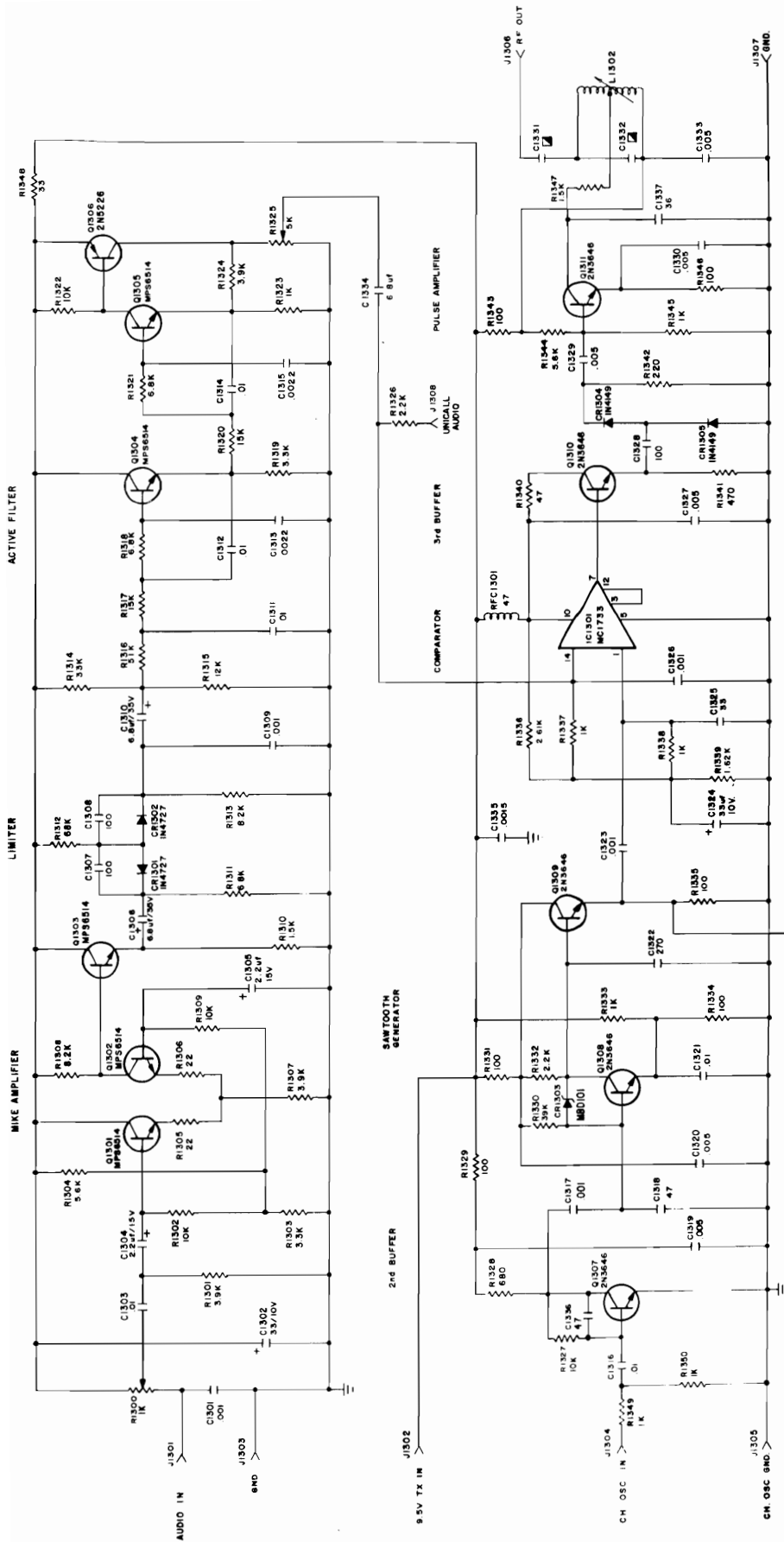
Item	Description	Part No
R1311	Resistor, 6.8K	4704-6804-001
R1312	Resistor, 68K	4704-6805-001
R1313	Resistor, 8.2K	4704-8204-001
R1314	Resistor, 33K	4704-3305-001
R1315	Resistor, 12K	4704-1205-001
R1316	Resistor, 51K ± 5%	4704-5105-002
R1317	Resistor, 15K	4704-1505-001
R1318	Resistor, 6.8K	4704-6804-001
R1319	Resistor, 3.3K	4704-3304-001
R1320	Resistor, 15K	4704-1505-001
R1321	Resistor, 6.8K	4704-6804-001
R1322	Resistor, 10K	4704-1005-001
R1323	Resistor, 1K	4704-1004-001
R1324	Resistor, 3.9K	4704-3904-001
R1325	Pot	4735-5004-003
R1326	Resistor, 2.2K	4704-2204-001
R1327	Resistor, 10K	4704-1005-001
R1328	Resistor, 680 ohm	4704-6803-001
R1329	Resistor, 100 ohm	4704-1003-001
R1330	Resistor, 39K	4704-3905-001
R1331	Resistor, 100 ohm	4704-1003-001
R1332	Resistor, 2.2K	4704-2204-001
R1333	Resistor, 1K	4704-1004-001
R1334	Resistor, 100 ohm	4704-1003-001
R1335		
R1336	Resistor, 2.2K	4704-2204-001
R1337	Resistor, 1K	4704-1004-001
R1338		
R1339	Resistor, 2.2K	4704-2204-001
R1340	Resistor, 47 ohm	4704-4702-001
R1341	Resistor, 470 ohm	4704-4703-001
R1342	Resistor, 220 ohm	4704-2203-001
R1343	Resistor, 100 ohm	4704-1003-001
R1344	Resistor, 5.6	4704-5604-001
R1345	Resistor, 1K	4704-1004-001
R1346	Resistor, 100 ohm	4704-1003-001
R1347	Resistor, 1.5K	4704-1504-001
R1348	Resistor, 33 ohm	4704-3302-001
R1349	Resistor, 1K	4704-1002-001
CR1301	Diode 1N4727	4803-0000-004
CR1302	Diode MBD101	4806-0645-075
CR1303	Diode 1N4149	4803-0000-027
CR1304		
CR1305		
IC1301	IC MC 1733	4850-0645-074
RF1301	Choke 47uh	1827-0645-058
	I.C. Socket	2136-0000-002

NOTE 1



NOTE 1

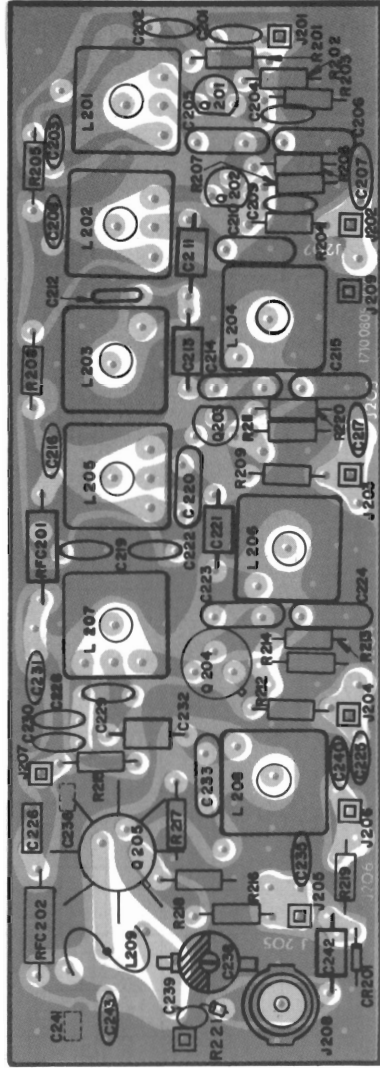
MODULATOR BOARD PARTS LOCATION



	A	B	C	D	E
25-30 MHE	12	12	6.8	6.8	6.8
30-36 MHE	18	12	6.8	6.8	6.8
36-42 MHE	24	12	6.8	6.8	6.8
42-48 MHE	30	12	6.8	6.8	6.8
48-54 MHE	36	12	6.8	6.8	6.8

NOTE:
 1. RESISTOR VALUES WITHIN BRACKETS REPRESENT VALUES
 LESS THAN 100 OHMS.
 2. CAPACITOR VALUES
 GREATER THAN ONE ARE IN MICROFARADS AND
 VALUES IN DECIMALS ARE MICROFARADS.
 INDUCTANCE VALUES ARE IN MICROHENRYS.

MODULATOR SCHEMATIC



TRANSMIT MULTIPLIER MODULE PARTS LOCATION

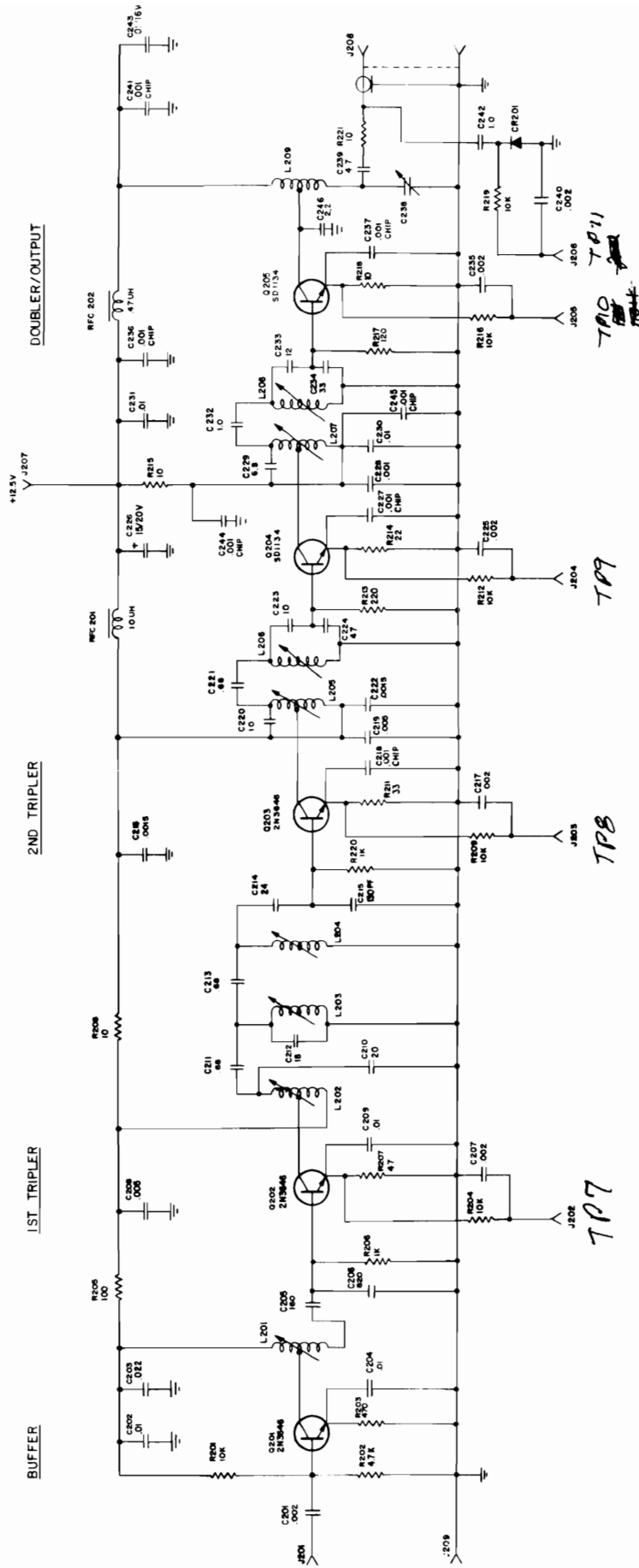
1ST DOUBLER

2ND TRIPLER

1ST TRIPLER

BUFFER

DOUBLER/OUTPUT



PARTS LIST

Item	Description	Part No
TRANSMITTER MULTIPLIER 1939-0805-106 Replaceable Parts		
C201	Capacitor, .002 disc. cer.	1506-2004-001
C202	Capacitor, .01 disc. cer.	1502-1005-004
C203	Capacitor, .005 disc. cer.	1510-5004-001
C204	Capacitor, .01 disc. cer.	1502-1005-004
C205	Capacitor, 160pf, silver mica	1513-1803-001
C206	Capacitor, 820pf, silver mica	1513-8203-001
C207	Capacitor, .002 disc. cer.	1506-2004-001
C208	Capacitor, .005 disc. cer.	1510-5004-001
C209	Capacitor, .01 disc. cer.	1502-1005-004
C210	Capacitor, .20pf, silver mica	1513-2002-001
C211	Capacitor, comp. .68pf	1525-6800-001
C212	Capacitor, 18pf silver mica	1513-1802-001
C213	Capacitor, comp. .68pf	1525-6800-001
C214	Capacitor, 24pf, silver mica	1513-2402-001
C216	Capacitor, .0015 disc. cer.	1510-1504-003
C217	Capacitor, .002 disc. cer.	1506-2004-001
C218	Capacitor, .005 disc. cer.	1510-5004-001
C219	Capacitor, .005 disc. cer.	1510-5004-001
C220	Capacitor, 10pf silver mica	1513-1002-001
C221	Capacitor, comp. .68pf	1525-6800-001
C222	Capacitor, .0015 disc. cer.	1510-1504-003
C223	Capacitor, 10pf silver mica	1513-1002-001
C224	Capacitor, 47pf, silver mica	1513-4702-001
C225	Capacitor, .002 disc. cer.	1506-2004-001
C226	Capacitor, tant. 15uf, 20V	1532-1508-001
C227	Capacitor, .01 disc. cer.	1502-1005-004
C228	Capacitor, .001 disc. cer.	1513-1004-009
C229	Capacitor, 5pf, disc. cer.	1501-5001-007
C230	Capacitor, .01 disc. cer.	1502-1005-004
C231	Capacitor, .01 disc. cer.	1502-1005-004
C232	Capacitor, comp. 1.0pf	1525-1001-001
C233	Capacitor, 12pf, silver mica	1513-1202-001
C234	Capacitor, 15pf, silver mica	1513-1502-001
C235	Capacitor, .002 disc. cer.	1506-2004-001
C236	Capacitor, chip, .001	1513-1004-009
C237	Capacitor, chip, .001	1513-1004-009
C238	Capacitor, variable 1-10pf	1574-1002-001
C239	Capacitor, 4.7 disc. cer.	1501-4701-001
C240	Capacitor, .002 disc. cer.	1506-2004-001
C241	Capacitor, chip .001	1513-1004-009
C242	Capacitor, comp. 1.0pf	1525-1001-001
C243	Capacitor, .01 disc. cer.	1502-1005-004
L201	Coil, Buffer	1805-0805-057
L202	Coil, 1st tripler	1805-0802-450
L203	Coil 1st tripler	1805-0802-451
L204		
L205	Coil, 2nd tripler	1805-0802-452
L206	Coil, 2nd tripler	1850-0802-453
L207	Coil, 1st doubler	1805-0802-454
L208	Coil, 1st doubler	1805-0642-024
L209	Coil, 2T, center tapped	1814-0802-089
Q201 thru Q203	Transistor, 2N3546	4811-0000-005
Q204 Q205	Transistor, SD-1270	4811-0000-039
R201	Resistor, 10K	4704-1005-001
R202	Resistor, 4.7K	4704-4704-001
R203	Resistor, 470 ohm	4704-4703-001
R204	Resistor, 10K	4704-1005-001
R205	Resistor, 100 ohm	4704-1003-001
R206	Resistor, 1K	4704-1004-001
R207	Resistor, 47 ohm	4704-4702-001
R208	Resistor, 10 ohm	4704-1002-001
R209	Resistor, 10K	4704-1005-001
R211	Resistor, 68 ohm	4704-6802-001
R212	Resistor, 10K	4704-1005-001
R213	Resistor, 220 ohm	4704-2203-001
R214	Resistor, 33 ohm	4704-3302-001
R215	Resistor, 10 ohm	4704-1002-001
R216	Resistor, 10K	4704-1005-001
R217	Resistor, 470 ohm	4704-4703-001
R218	Resistor, 10 ohm	4704-1002-001
R219	Resistor, 10K	4704-1005-001
R220	Resistor, 1K	4704-1004-001
CR201	Diode 1N4148	4803-0000-004
RFC201	Choke, molded, 10uh	1827-0802-077
RFC202	Choke, molded, 47uh	1827-0722-028

PARTS LIST

Item	Description	Part No
E	FINAL AMPLIFIER ASSEMBLY, 80RT40 To order complete board assembly, use part number 1939-0813-102	
	Power Control Board	1939-0648-129
	Final Amp	1939-0811-103
	T/R Switch	1939-0811-106
	Nut, 6/32 Swage	2834-0000-002
	Screw, 6/32 x 1/4"	2851-0608-311
	4 x 40 x 5/16 cap screw, int hex	2876-0642-036
	Stand-Off, 3/4"	2882-0810-201
	No. 6 External Tooth Washer	3101-0811-029
	Fish Paper, 40W	3101-0811-030
	Fish Paper, T/R	3150-0811-032
	Heat Sink, Final Amp	4891-0722-215
	Spacer, Copper	6050-0811-033
	Cable Assembly, (Teflon)	6057-0811-026
	Wiring Harness	6059-0101-065
	Cable Assembly	6059-0109-036
	Cable Assembly, w/Grommet	6059-0109-110
	Cable Assembly	6050-0811-034

PARTS LIST

Item	Description	Part No
D	FINAL AMP ASSEMBLY, 80RT90 To order complete board assembly, use part number 1939-0811-102	
	Power Control Board	1939-0648-113
	Exciter	1939-0811-103
	Final Amplifier	1939-0811-104
	T/R Switch	1939-0811-105
	4 x 40 x 5/16 cap srew int hex	2851-0410-931
	Stand-Off, 3/4"	2876-0642-036
	Fish Paper, 90W	3101-0811-028
	Fish Paper, T/R	3101-0811-030
	Heat Sink, Final Amp	3150-0811-032
	Spacer, Copper	4891-0722-215
	Cable Assembly (Faston)	6050-0811-024
	Wiring Harness	6057-0811-026
	Cable Assembly	6059-0101-025
	Cable Assembly	6059-0109-035
	Cable Assembly w/Grommet	6059-0109-110
	Cable Assembly (Teflon)	6050-0811-033
	Cable Assembly	6050-0811-034