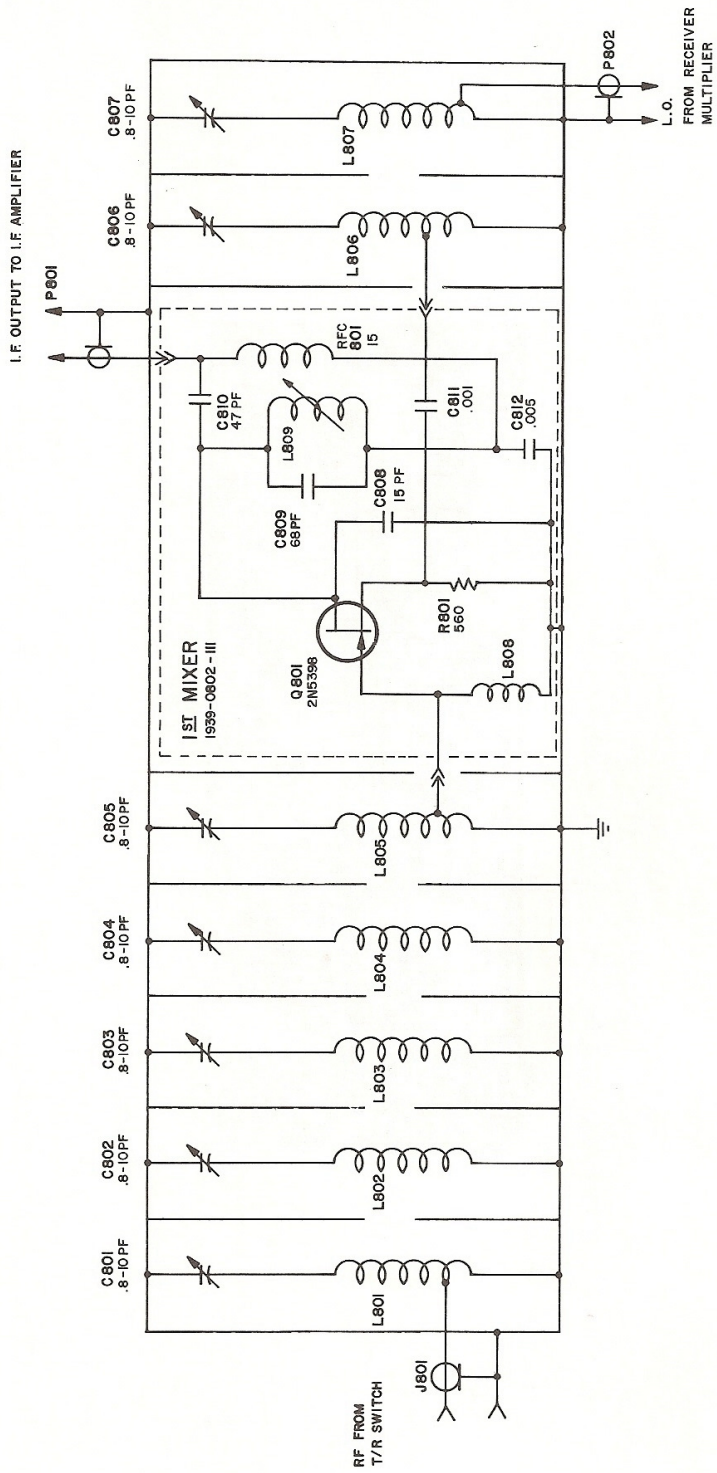


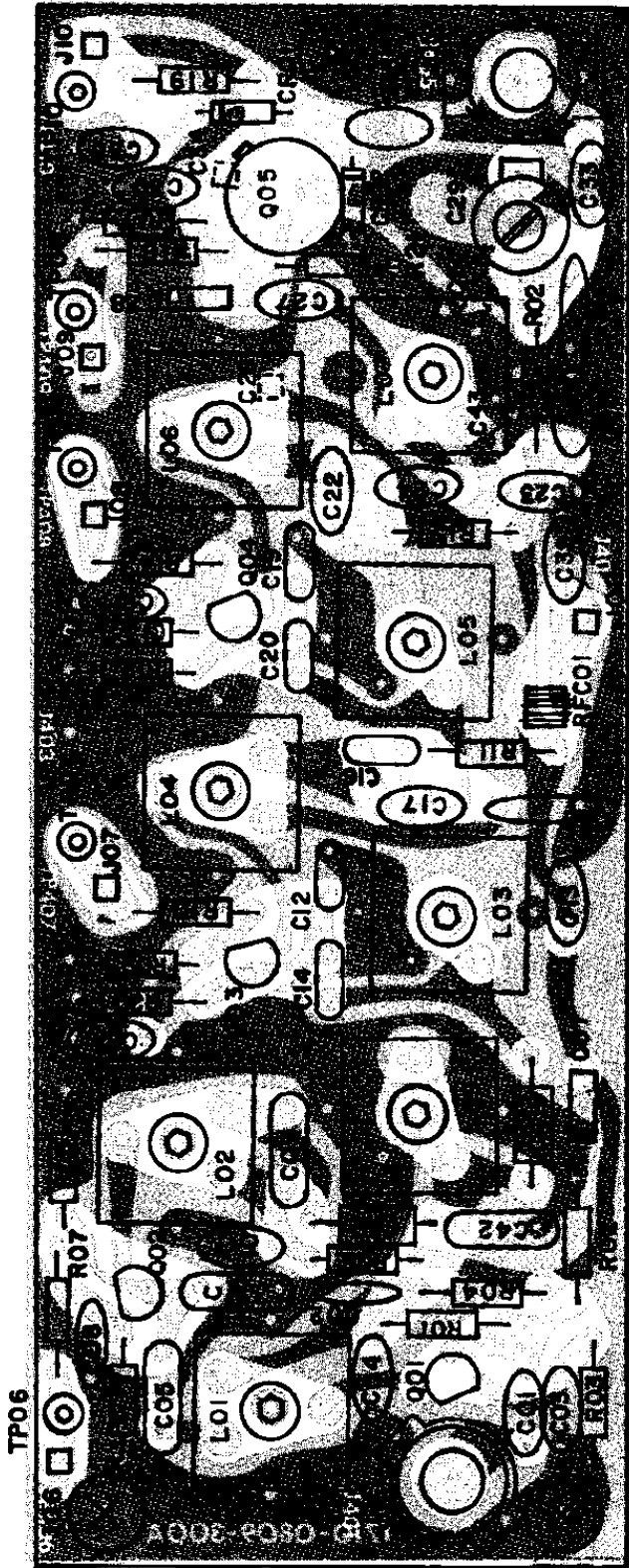
# PARTS LIST

Item	Description	Part No
	MIXER BOARD	
	1939-IJ1102-111	
	Rep_JcP **	
CBOS	Capacitor, 15pf silver mica min	1513-1502-005
CB09	Capacitor, 58pt silver mica min	1513-6802-000
CB10	Capacitor, 47pf silver mica min	1513-4702-006
CB11	Capacitor, chip .001uf 50V ± 10%	1513-1004-009
CB12	Capacitor, disc. ceramic, .005uf Z5U ± 10%	1510-5004-001
LBOS	Coil, .030 air wound 71 no. 28 nvlese wire, 120 1.0.	1B14-0802-004
LB09	Coil, adjustable	2504-0802-046
Q801	Junction fet, 2N5398	4811-0802-441
RBO1	Resistor, 560 ohm	4704-5603-001
RFCBO1	Choke. R.F. 15uh molded	1 B27-0802-045

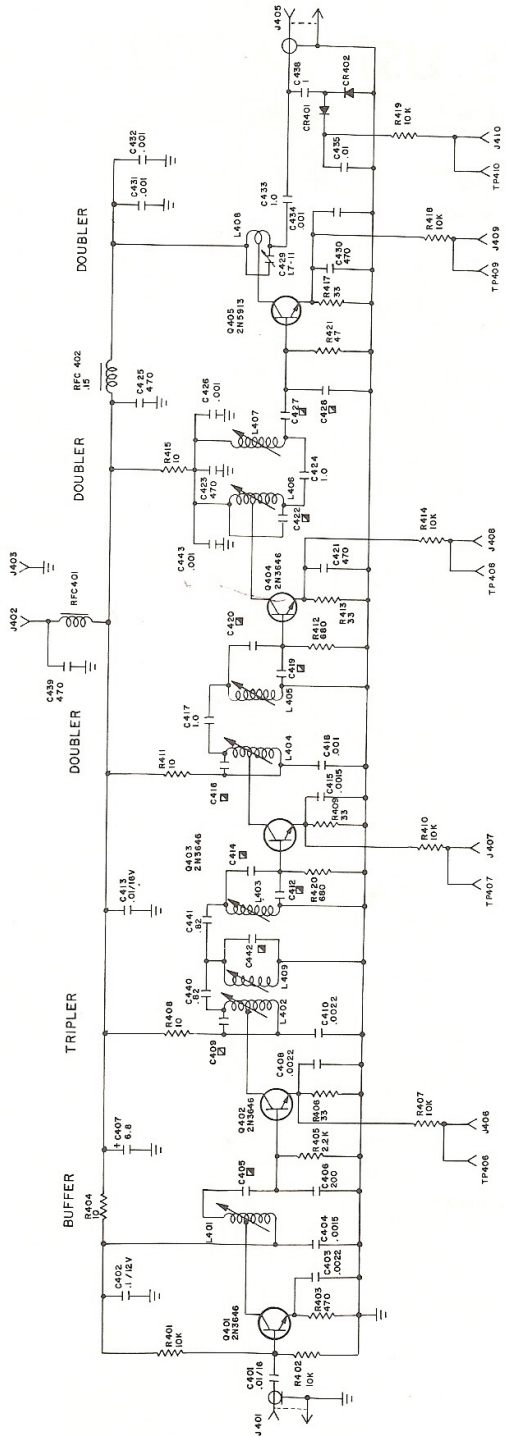
NOTES:  
 I. UNLESS SHOWN OTHERWISE, RESISTOR VALUES ARE IN OHMS,  
 ±10%, 1/4 WATT, CAPACITORS IN MFD. AND INDUCTANCE IN  
 MICROHENRIES.



MIXER SCHEMATIC

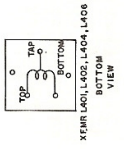
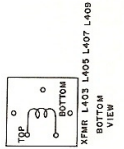


RECEIVER MULTIPLIER MODUAL PARTS LOCATION



NOTES:  
 1. UNLESS SHOWN OTHERWISE, RESISTOR VALUES ARE IN OHMS ± 5%, 1/4WATT, 5% TOLERANCE. CAPACITOR VALUES IN DECIMAL ARE MICROFARADS, IN INDICATOR ARE MICROFARADS, INDUCTANCE VALUES ARE IN MICRO-HENRYS.

COMPONENT	A RANGE 408-450	B RANGE 450-470	C RANGE 470-515
C403	100	91	88
C405	10	15	12
C406	10	35	27
C412	100	130	50
C414	35	33	27
C419	82	91	100
C420	10	10	10
C422	4.7	3.9	3.9
C427	5.2	6.8	6.8
C428	10	10	10



RECEIVER MULTIPLIER SCHEMATIC

# PARTS LIST

Item	Description	Part No
	RECEIVER MULTIPLIER BOARD	
	1939-0809-110 800TT25	
	R",...leParts	
C401	Capacitor, disc. cer., .01	1502-1005.(J)04
C402	Capacitor, disc. cer., 100nf	1505-1006-005
C403	Copocltor, ultra stable .0022uf, 10DV +10%	1526-2204-002
C404	Co_ltar, disc. cer. . 0015	1510-1504-003
C406	Capacitor, silo mica 200pf	1513-2003-001
C407	Capacitor, tanto 6.8uf 35V	1532-6807-035
C408	Capacitor, ultra stable .. 0022uf 100v +10%	1526-2204-002
C410		
C413	Capacitor, disc. cer., .01	1502-1005-004
C415	Capacitor, disc. cer. . 0015	1510-1504-003
C418	Capacitor, disc. cer., .001	1506-1004-001
C421	Capacitor, disc. cer. 470 pf	1502-4703-001
C423	Capacitor, disc. cer. 470 pf	1502-4703-001
C424	capacitor, disc. cer. 1 pf	1501-1001-001
C425	Capacitor, disc. cer. 470 pf	1502-4703-001
C426	Copocitor, chip .001	1513-1004-009
C429	Copocltor, varloble, 1.7-11 pl	1574-1002-001
C430	Copocltor, disc. cer. ., 470 pl	1502-4703-001
C431	capacitor, disc. cer. ., 001	1506-1004-00 1
C432	Co_ltar, chip .001	1513-1004-009
C433	Capacitor, disc. cer. 1 pf	1501-1001-001
C324	Capacitor, chip .001	1513-1004-009
C435	capacitor, disc. cer. . 01	1502-1005.(J)04
C436	Capacitor, disc. cer. , pf	1501-1001-001
C439	Capacitor, disc. cer. 470 pf	1502-4703-001
C440	Capacitor, tubular, .82 pf	1525-8200-001
C441		
C443	capacitor, chip . 001	1513-004-009
L401	Coil, buft8r	1814-0805-020
L402	Coil, 441ST Topped	1814-0802-437
L403	Coil,441ST	814-0802-039
L404	Coil, 2 41ST Topped	1814-0802-436
L405	Coil 2 41ST	1814-0802-040
L406	Coil, 1 41ST Topped	1814-0802-435
L407	Coil 141ST	1814-0802-041
L409	Coil 4 41ST	1814-0802-039
0401	Transistor, 2N3646	481'-ooOO-041
thru 0404		
0405	Transistor, 2N5913	4811-000D-038
R401	Resistor, 10K	4704-1005-001
R402		
R403	Resistor, 470 ohm	4704-4703-00'
R404	Resistor, 10 ohm	4704-002-001
R405	Resistor, 2.2K	4704-2204-001
R406	Resistor, 33 ohm	4704-3302-00 1
R407	Resistor, 10K	4704-1005-001
R408	Resistor, 10 ohm	4704-1002-001
R409	Resistor, 33 ohm	4704-3302-001
R410	Resistor, 10K	4704-1005-001
R411	Resistor, 10 ohm	4704-1002-001
R412	Resistor, 680 ohm	4704-6803-001
R413	Resistor, 33 ohm	4704-3302-001
R414	Resistor, 10K	4704-1005-001
R415	Resistor, 10 ohm	4704-1002-001
R47	Resistor, .33 ohm	4704-3302-001
R48	Resistor, 10K	4704-1005-001
R419		
R420	Resistor, 680 ohm	4704-8803-001
R421	Resistor, 47 ohm	4704-4702-001

CR401 Diode, 1N4727  
CR402

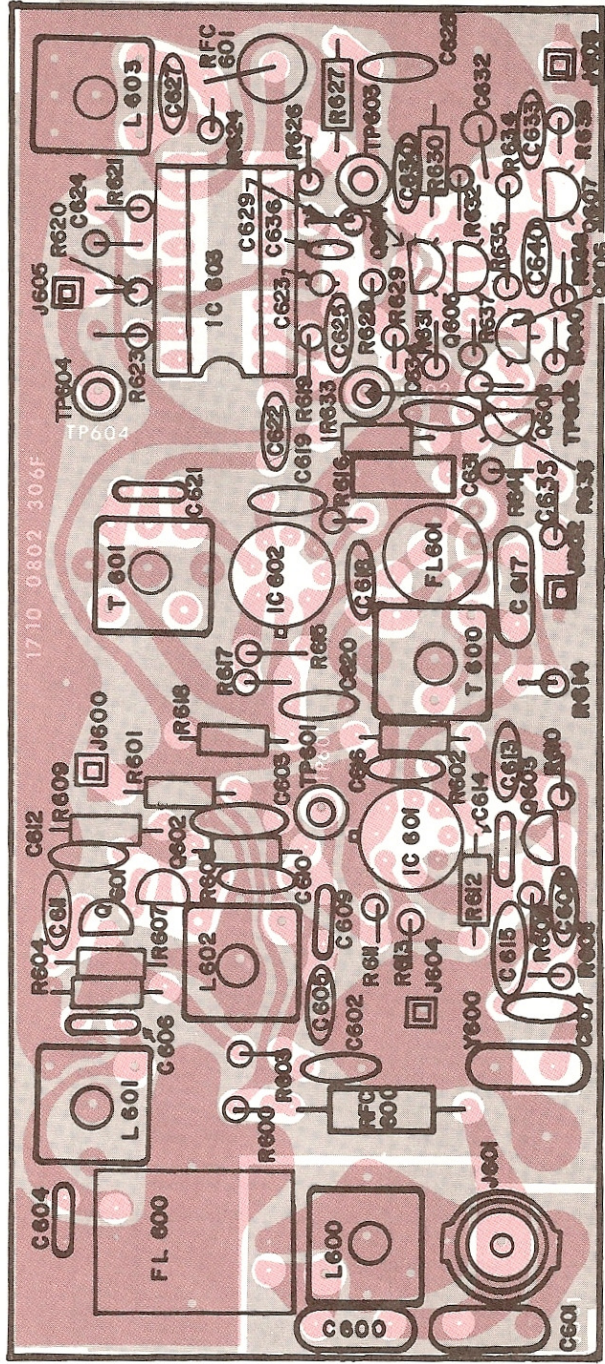
4803-0000.(J)04

## A RANGE 408-450

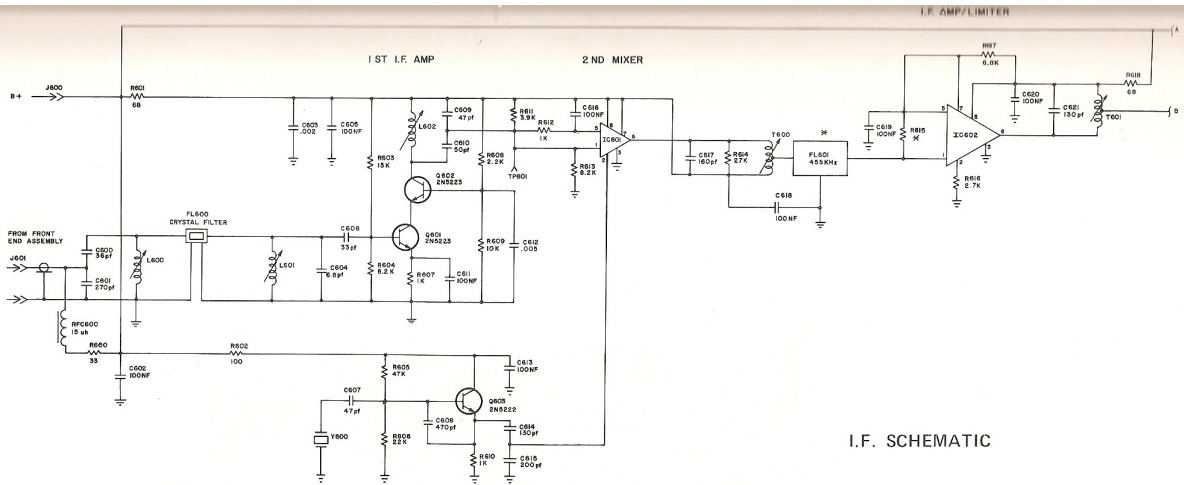
C405	Capacitor, s.m. 100 pf	1513-1003-00'
C409	Capacitor, s.m. 36 pf	1513-3602-001
C412	Capacitor, s.m. 160 pf	1513-1603-001
C414	Capacitor, s.m. 3S pf	1513-3602-005
C416	Capacitor, s.m. 18 pf	1513-1802-00s
C419	Capacitor, s.m. 82 pf	1513-8208-0D6
C420	Capacitor, s.m. 18 pf	1513-1802-005
C422	Capacitor, 4.7 pf disc cer.	1501-4701-001
C427	Capacitor, 8.2 pf. disc cer.	1501-8201-001
C428	Capacitor, s.m 18 pf	1513-1802-005
C442	Capacitor, s.m. 36 pf	1513-3802-001

# PARTS LIST

Item	Description	Part No
	H I.F. BOARD	
	To order complete board assembly, use part number	
	1939-0802-112	
C600	Capacitor, Silver Mica, 36pf	1513-3602-001
C601	Capacitor, Silver Mica, 270 pf	1513-2703-001
C602	Capacitor, Disc. Cer. . D05uf	1510-5004-001
C603	Capacitor, Disc. Cer. . 002	1506-2004-001
C604	Capacitor, Silver Mica Min. 12pf	1513-1202-006
C605	Capacitor, Ceramic, WOnf, 12V	1505-1006-005
C606	Capacitor, Silver Mica 33pf	1513-3302-006
C607	Capacitor, Silver Mica 47pf	1513-4702-006
C608	Capacitor, Disc. Cer. 470pf, 25V	1502-4703-001
C609	Capacitor, Silver Mica Min. 130pf	1513- 1303-006
C610	Capacitor, Disc. Ger. 50pf	1502-5002-002
C611	Capacitor, Ceramic, 100nf, 12V	1505-1006-005
C612	Capacitor, Disc. Ger. . D05uf	1510-5004-001
C613	Capacitor, Ceramic, WOnf, 12V	1505-1006-005
C614	Capacitor, Silver Mica Min. 130pf	1513-1303-006
C615	Capacitor, Silver Mica, 200pf	1513-2003-001
C616	Capacitor, Ceramic, 1 GOnf, 12V	1505-1006-005
C617	Capacitor, Silver Mica 160pf	1513-1603-001
C618	Capacitor, Ceramic 1 DOnf, 12V	1505-1006-005
C619	Capacitor, Ceramic, 100nf, 12V	1505-1006-005
C620		
C621	Capacitor, Silver Mica Min 130pf	1513-1303-006
C622	Capacitor, Ceramic, 100nf 12V	1505-1006-005
C623	Capacitor, .47uf, Tant	1532-4706-015
C624	Capacitor, 2.2uf, 15V	1532-2207-015
C625	Capacitor, Ceramic, 100nf, 12V	1505-1006-005
C627	Capacitor, Silver Mica 470pf	1513-4703-005
C628	Capacitor, Ceramic, 100nf, 12V	1505-1006-005
C629	Capacitor, 2.2uf, 15V	1532-2207-015
C630	Capacitor, Disc. Cer. 470pf, 25V	1502-4703-001
C631	Capacitor, Tant., 68uf, 15V	1532-6808-015
C632	Capacitor, 15uf, 16V	1518-1508-018
C633	Capacitor, Disc. Cer. . 002	1506-2004-001
C634	Capacitor, Ceramic, 1 DOnf. 12V	1505-1006-005
C635	Capacitor, 2.2uf, 15V	1532-2207-015
C636	Capacitor, .0022	1526-2204-001
C640	Capacitor, Disc. Cer. 470pf 25V	1502-4703-001
L600	Coils, Receive, I.F.	1805-0642-037
thru L602		
L603	Coil, Discriminator, Primary	1805-0642-082
0601	Transistor, 2N5223	4811-0000-032
0602		
0603	Transistor, 2N5222	4811-0000-024
0604	Transistor, MPS6514	4811-0000-012
0605		
0606	Transistor, 2N5226	4811-0000-028
0607	Transistor, 2N5223	4811-0000-032
0608		
R600	Resistor, 33 ohm	4704-3302-001
R601	Resistor, 68 ohm,	4704-6802-001
R602	Resistor, 100 ohm	4704-1003-001
R603	Resistor, 15K	4704-1505-001
R604	Resistor, 8.2K	4704-8204-001
R605	Resistor, 47K	4704-4705-001
R606	Resistor, 22K	4704-2205-001
R607	Resistor, 1K	4704-1004-001
R608	Resistor, 2,2K	4704-2204-001
R609	Resistor, 10K	4704-1005-001
R610	Resistor, 1K	4704-1004-001
R611	Resistor, 3.9K	4704-3904-001
R612	Resistor, 1K	4704- 1 004-00 1
R613	Resistor, 8.2K	4704-8204-001
R614	Resistor, 27K	4704-2705-001
R615	Resistor, 2.7K	4704-2704-001
R616		
R617	Resistor, 6,8K	4704-6804-001
R618	Resistor, 68 ohm	4704-6802-001
R619	Resistor, 1K	4704- 1 004-00 1
R620	Resistor, 10K	4704- 1 005-001

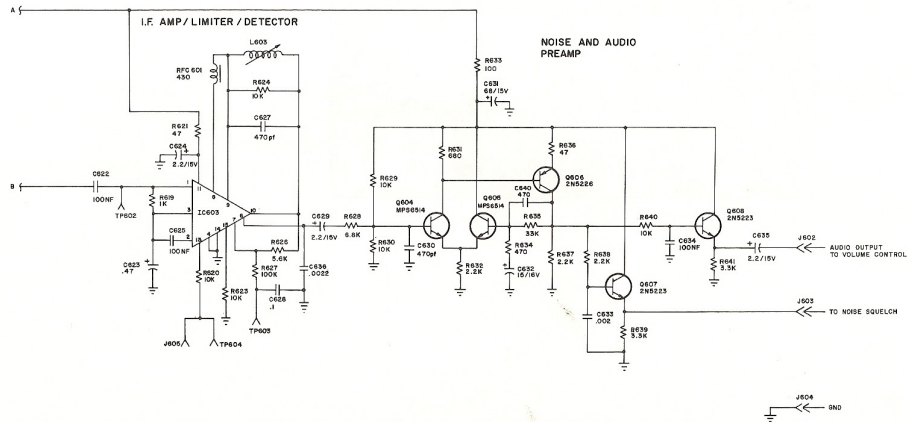


I.F. MODULE PARTS LOCATION

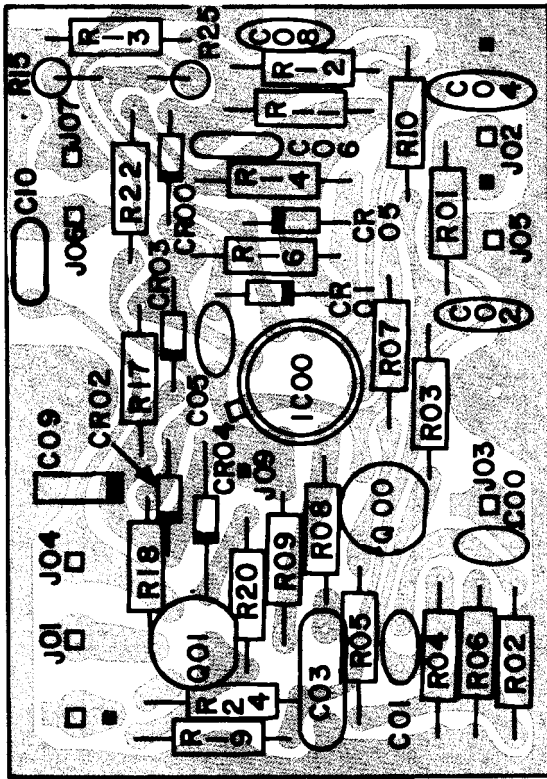


I.F. SCHEMATIC

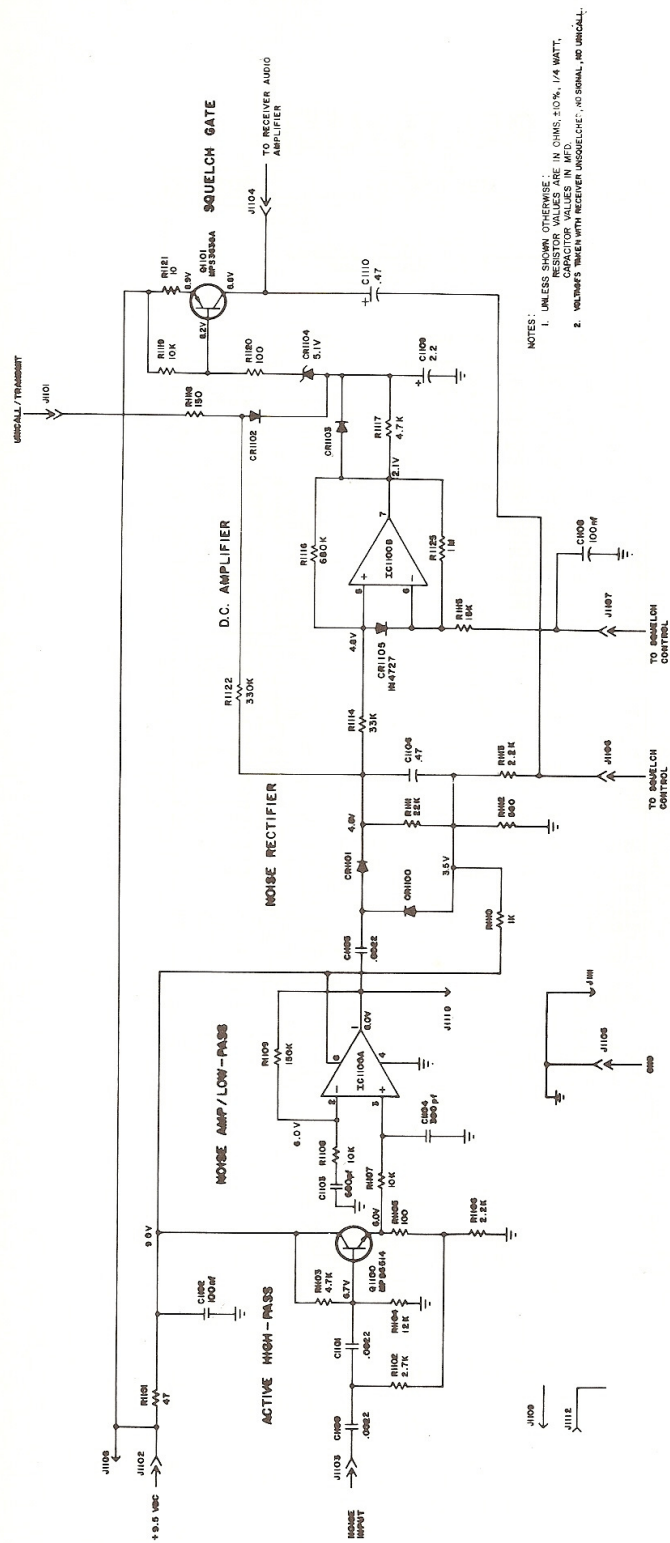
29







SQUELCH MODUAL PARTS LOCATON



NOTES:  
 1. UNLESS SHOWN OTHERWISE, RESISTOR VALUES ARE IN OHMS, 5.0%, 1/4 WATT, CAPACITOR VALUES IN MFD.  
 2. VALUES INDICATED IN PARENTHESES, AS SHOWN, ARE UNUSUAL.

SQUELCH SCHEMATIC

# PARTS LIST

Item	Description	Part No
	F SQUELCH BOARD  1939-1090-102	
C1100	Capacitor, disc. ceramic .0000f	1506-2004-001
C1101	Capacitor, disc. ceramic 100n1, 12V	1505-1 006-
C1102	Capacitor, disc.: ceramic .002uf	1506-2004-001
C1103	Capacitor, silver mica 390pf	1513-3903-001
C1104	Capacitor, disc. ceramic .002uf	1506-2004-001
C1105	Capacitor, tanto 2.2uf, 15V	1532-2207-015
C1106	Capacitor, disc. ceramic 100n1, 12V	1505-1006-005
C1108	Capacitor, tant. IOut, 15V	1532-1008-015
C1109	Capacitor, .47mf @10V	1526-4706-001
01101	Transistor, MPS 3638A	4810-0000-018
01107	Transistor, MPS 6514	4811-0000-012
R1101	Resistor, 47 ohm	4704-4702-001
R1102	Resistor, 2.7K	4704-2704-001
R1103	Resistor, 4.7K	4704-4704-001
R1104	Resistor, 12K	4704-1205-001
R1105	Resistor, 100 ohm	4704-1003-001
R1108	Resistor, 2.2K	4704-2204-001
R1107	Resistor, 10K	4704-1005-001
A1108	Resistor, 150K	4704-1506-001
R1109	Resistor, 1 K	4704-1004-001
R1110	Resistor, 22K	4704-2205-001
A1111	Resistor, 660 ohm	4704-5503-001
R1112	Resistor, 2.2K	4704-2204-001
A1113	Resistor, 33K	4704-3305-001
R1114	Resistor, 15K	4704-1505-001
R1115	Resistor 1 meg	4704-1007-001
R1117	Resistor, 4.7K	4704-4704-001
R1118	Resistor, 150 ohm	4704-1503-001
R1119	Resistor, 10K	4704-1005-001
A1120	Resistor, 100 ohm	4704-1003-001
A1121	Resistor, 10 ohm	4704-1002-001
A1122	Resistor, 330K	4704-3306-001
A1125	Resistor, 1 meg	4704-1007-001
IC1100	I.C. MC1458	4850-0000-011
CR1100	Diode, 1 N4727 or Equiv	4803-0000-004
thru CR1103		
CA1104	Diode, 6.1V Zener	4830-6001-001
CA1105	Diode, 1N198	4804-0000-004

# PARTS LIST

Item	Description	Part No
F	RECEIVER AUDIO AMPLIFIER  To order complete board assembly, use part number  1939-0802-114	
C1201	Capacitor mono ..047	1526-4705-001
C1202	Capacitor disc ceramic .005	1510-5004-001
C1203	Capacitor, flat film .1	1529-1006-001
C1204	Capacitor, silver mica 270 pf	1513-2703-001
C1205	Capacitor, tant., .68 uf, 15V	1532-6808-015
C1206	Capacitor, disc. cer. .002 pf	1506-2004-001
C1207	Capacitor, disc ceramic .001	1506-1004-001
C1208	Capacitor, disc cer 470 pf	1502-4703-001
C1209	Capacitor, flat film .1	1529-1 006-00 1
C1210	Capacitor, flat film .1	1529-1 006-001
C1211	Capacitor, tant., 2.2 mfd. 15V	1532-2207-015
C1212	Capacitor, ultra stable, 47 pt, 100V	1526-4702-001
C1213	Capacitor, 6.8 uf 40V	1532-6807-035
C1214	Capacitor, elect., 680 mfd, 25V	1518-6809-016
01201	Transistor, MPS6514	4811-0000-012
thru		
01204		
01205	Transistor, 2N5226	481 1 -0000-028
01206	Transistor, 2N5225	481 1-0000-027
01207	Transistor, 2N5226	4811-0000-028
01208	Transistor, MJE2901	4810-0000-017
01209	Transistor, MJE2801	4810-0000-020
01210	Transistor, 2N3646	481 1-0000-005
01211	Transistor, 2N5226	481 1 -0000-028
R1201	Resistor, 2.2K	4704-2204-001
R1202	Resistor, 1K	4704-1004-001
R1203	Resistor, 100 ohm	4704-1003-001
R1204	Resistor, 27K	4704-2705-001
R1205	Resistor, 39K	4704-3905-001
R1206	Resistor, 18 ohm	4704-1802-001
R1207	Resistor, 2.2K	4704-2204-001
R1208	Resistor, 82K	4704-8205-001
R1209	Resistor, 47K	4704-4705-001
R1210	Resistor 58 ohm	4704-5602-001
R1211	Resistor, 2.2K	4704-2204-001
R1212	Resistor, 4.7K	4704-4704-001
R1213	Resistor, 10K	4704-1 005-00 1
R1214	Resistor, 10K	4704-1505-001
R1215	Resistor, 15K	4704-1004-001
R1216	Resistor, 3.3K	4704-3304-001
R1217	Resistor, 150 ohm	4704-1503-001
R1218	Resistor, 10 ohm	4704-1002-001
R1219	Resistor, 470 ohm	4704-4703-001
R1220	Resistor, 10K	4704-1 005-00 1
R1221	Resistor, 1 ohm: 10% 2W	4713-1000-001
R1222		
R1223	Resistor, 1K	4704-1004-001
R1224	Resistor, 3.3K	4704-3304-001
R1225	Resistor, 10K	4704-1005-001
R1226		
CR1202	Diode, 1 N4003	4803-0000-019

