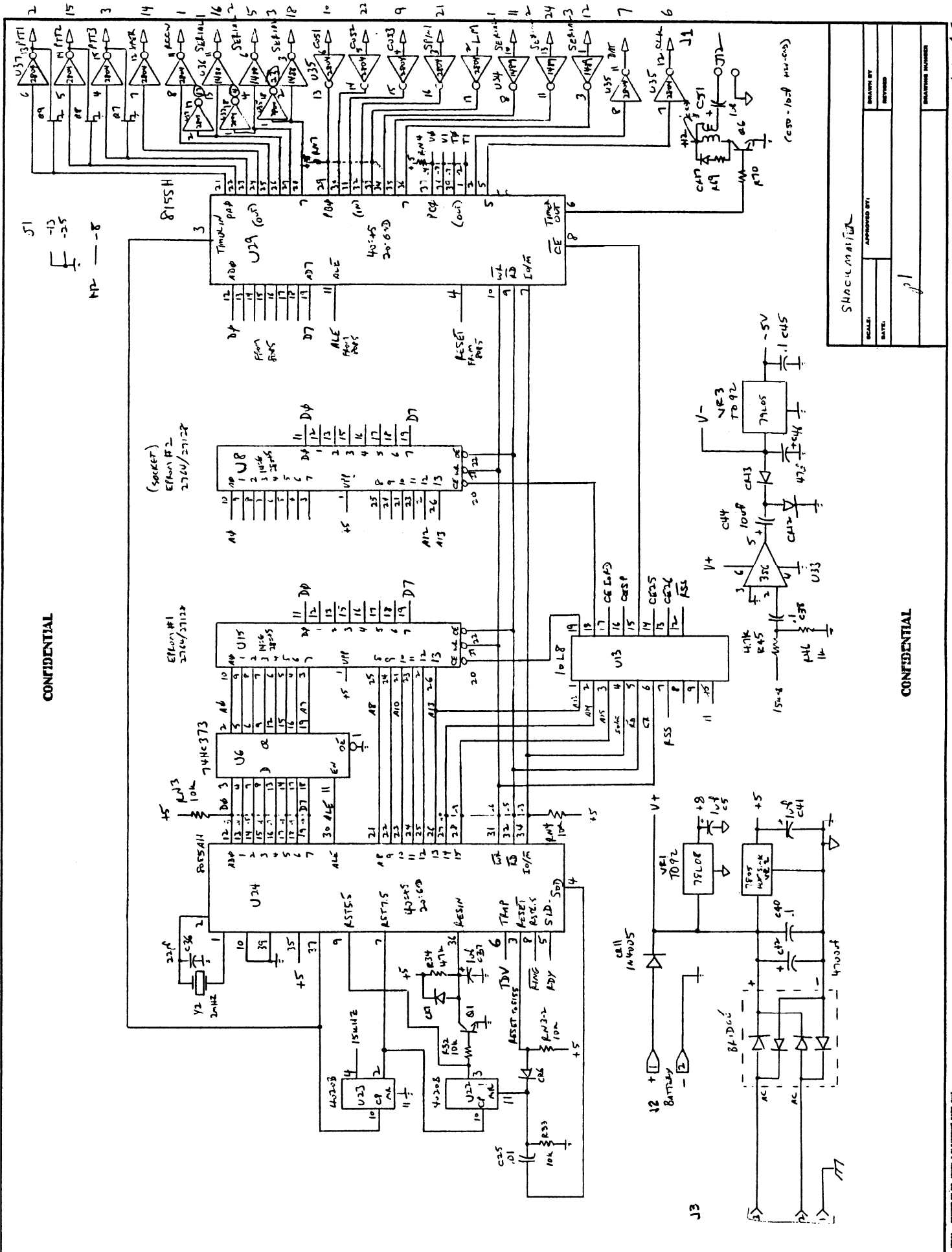


CONFIDENTIAL



CONFIDENTIAL

SHOCKMATION

SCALE: _____

DATE: _____

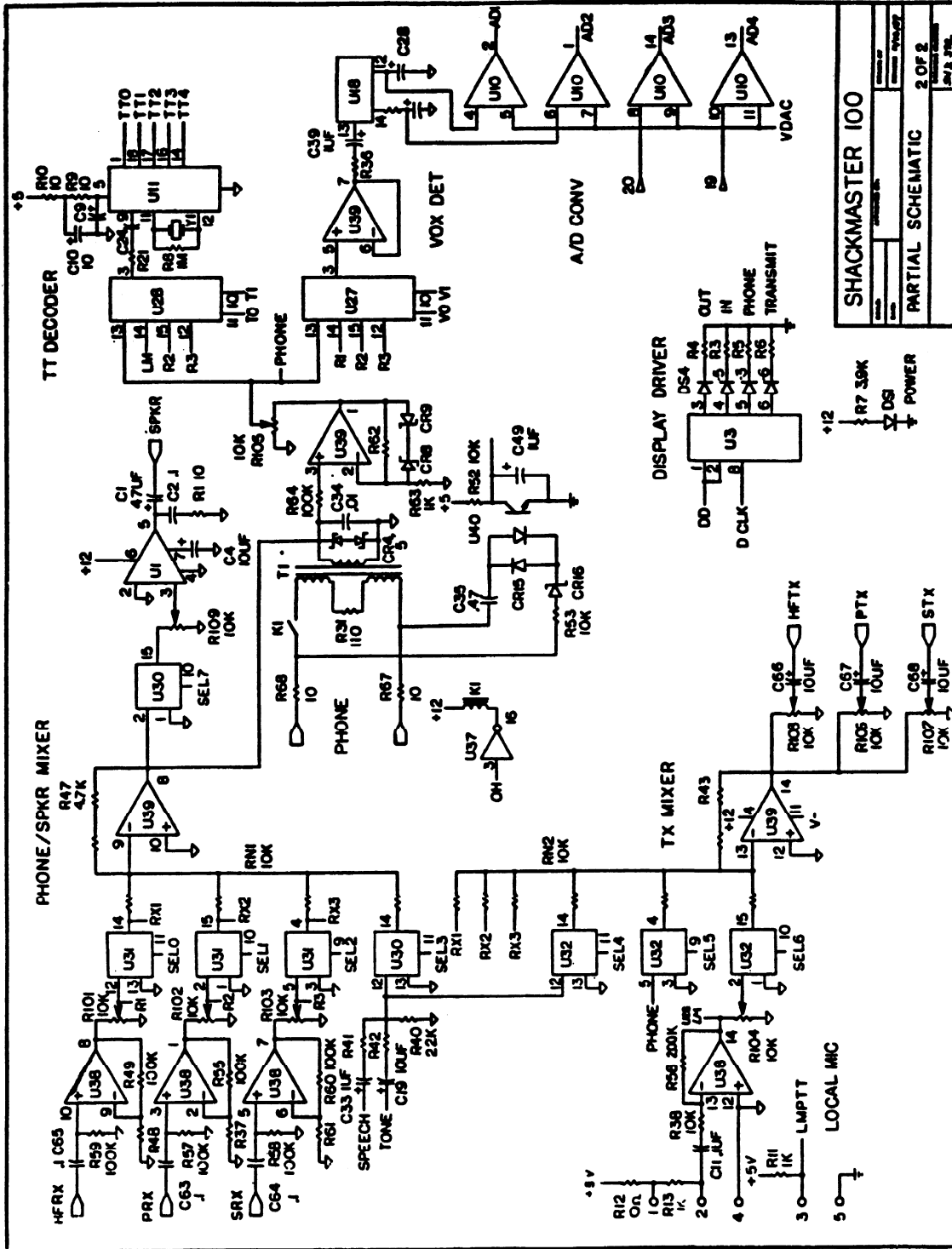
APPROVED BY: _____

DESIGNED BY: _____

REVISION NUMBER: _____

1/1

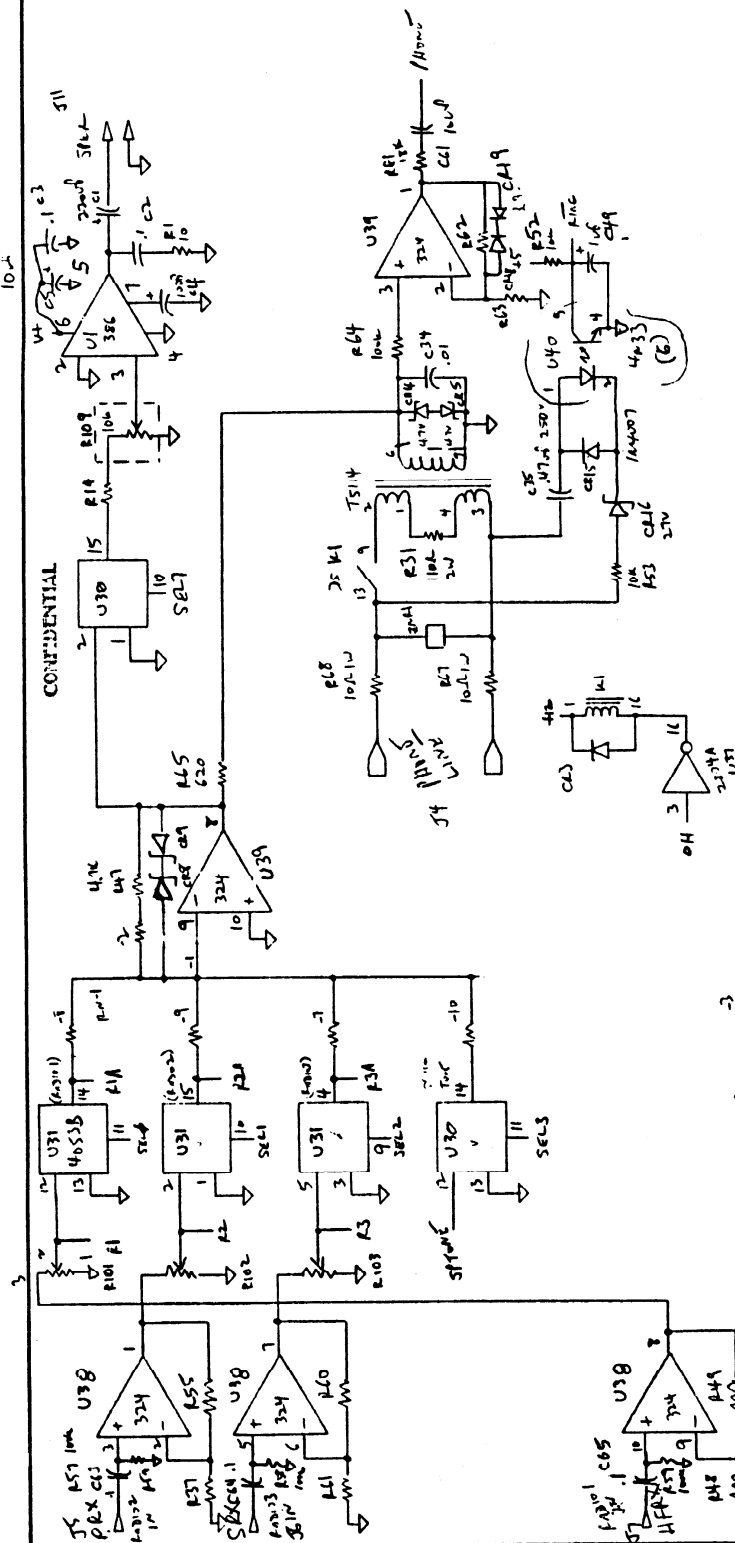
1-10/11



SHACKMASTER 100	
REV. 1.0	DATE: 07/82
PARTIAL SCHEMATIC	
2 OF 2	REV. 1.0

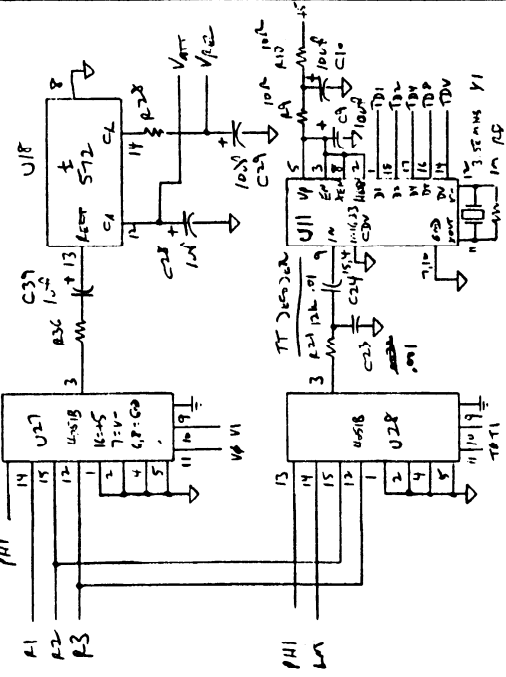
10-4

CONFIDENTIAL



VOX DETECTOR

CS3



SCALE:	APPROVED BY:
DATE:	DRAWN BY:
	REVISED:
	QUANTIFY NUMBER:

SHAC-MAPTEL

12

CONFIDENTIAL